

# DATA SHEET



## Three Phase Induction Motor - Squirrel Cage

Customer	: Dealers Industrial Equipment 800-469-3110				
Customer reference	: 14829211				
Product line	: W40 JP Pump High Efficiency Three-Phase		Product code :	14829211	
			Catalog # :	10018OP3EFP404JPV-W4	
Frame	: 404/5JP		Locked rotor time	: 25s (cold) 14s (hot)	
Output	: 100 HP (75 kW)		Temperature rise	: 80 K	
Poles	: 4		Duty cycle	: Cont.(S1)	
Frequency	: 60 Hz		Ambient temperature	: -20°C to +40°C	
Rated voltage	: 208-230/460 V		Altitude	: 1000 m.a.s.l.	
Rated current	: 257-232/116 A		Protection degree	: IP23	
L. R. Amperes	: 1591-1438/719 A		Cooling method	: IC01 - ODP	
LRC	: 6.2x(Code G)		Mounting	: W-6	
No load current	: 66.4-77.0/38.5 A		Rotation <sup>1</sup>	: Both (CW and CCW)	
Rated speed	: 1775 rpm		Starting method	: Direct On Line	
Slip	: 1.39 %		Approx. weight <sup>3</sup>	: 895 lb	
Rated torque	: 292 ft.lb				
Locked rotor torque	: 220 %				
Breakdown torque	: 250 %				
Insulation class	: F				
Service factor	: 1.15				
Moment of inertia (J)	: 17.5 sq.ft.lb				
Design	: B				
Output	25%	50%	75%	100%	
Efficiency (%)	93.5	93.6	94.1	94.1	
Power Factor	0.50	0.76	0.84	0.86	
	Foundation loads				
	Max. traction : 1859 lb				
	Max. compression : 2754 lb				
	<u>Drive end</u>		<u>Non drive end</u>		
Bearing type	: 6314 C3		: 6212 Z C3		
Sealing	: Without Bearing Seal		: Without Bearing Seal		
Lubrication interval	: 19579 h		: 20000 h		
Lubricant amount	: 27 g		: 13 g		
Lubricant type	: Mobil Polyrex EM				
Notes downloaded from <a href="http://dealerselectric.com">http://dealerselectric.com</a>					
This revision replaces and cancel the previous one, which must be eliminated. (1) Looking the motor from the shaft end. (2) Measured at 1m and with tolerance of +3dB(A). (3) Approximate weight subject to changes after manufacturing process. (4) At 100% of full load.			These are average values based on tests with sinusoidal power supply, subject to the tolerances stipulated in NEMA MG-1.		
Rev.	Changes Summary		Performed	Checked	Date
Performed by					
Checked by				Page	Revision
Date	16/04/2019			1 / 2	

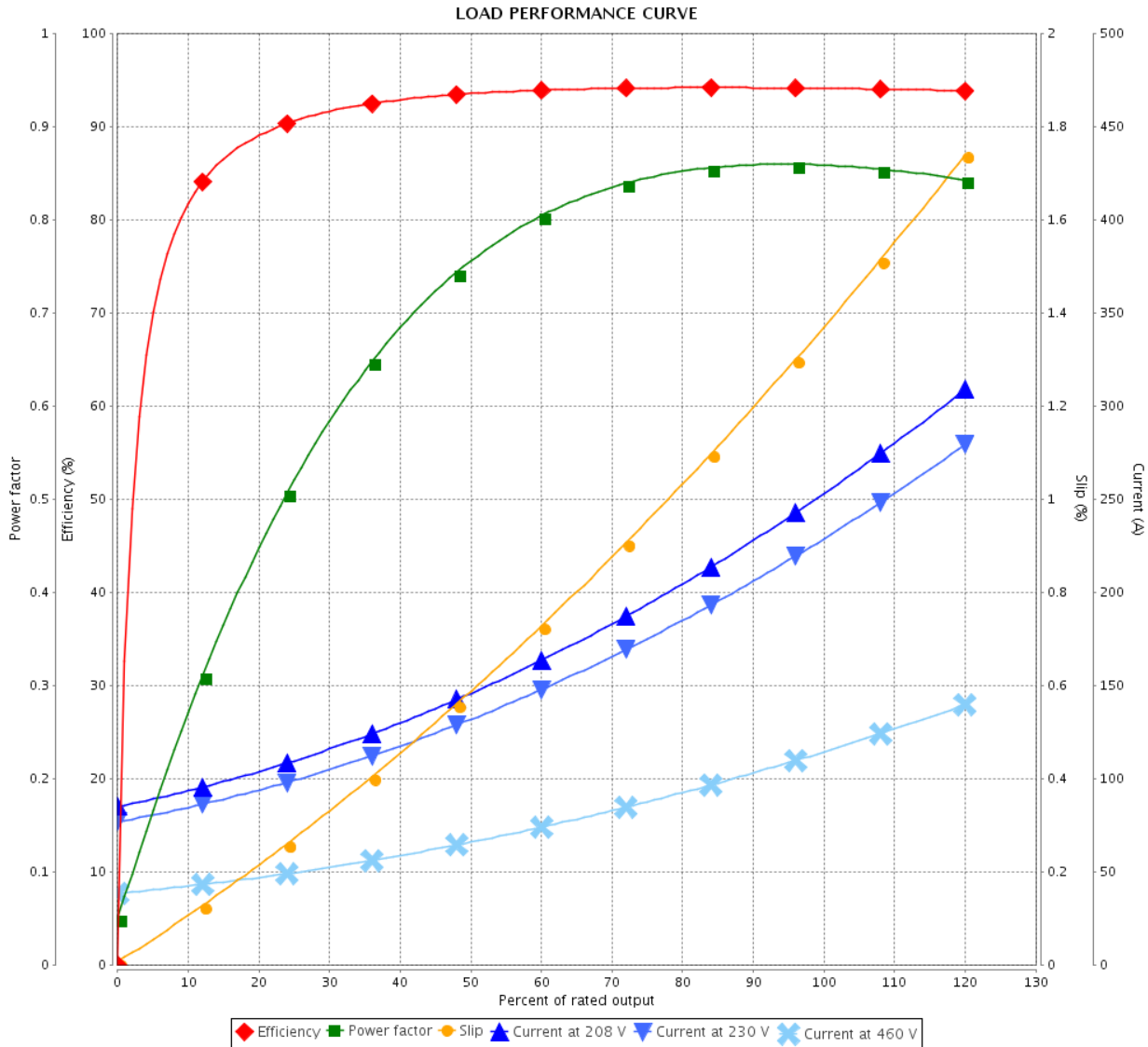
# LOAD PERFORMANCE CURVE



## Three Phase Induction Motor - Squirrel Cage

Customer : Dealers Industrial Equipment 800-469-3110  
 Customer reference : 14829211

Product line : W40 JP Pump High Efficiency Three-Phase      Product code : 14829211  
 Catalog # : 10018OP3EFP404JPV-W4



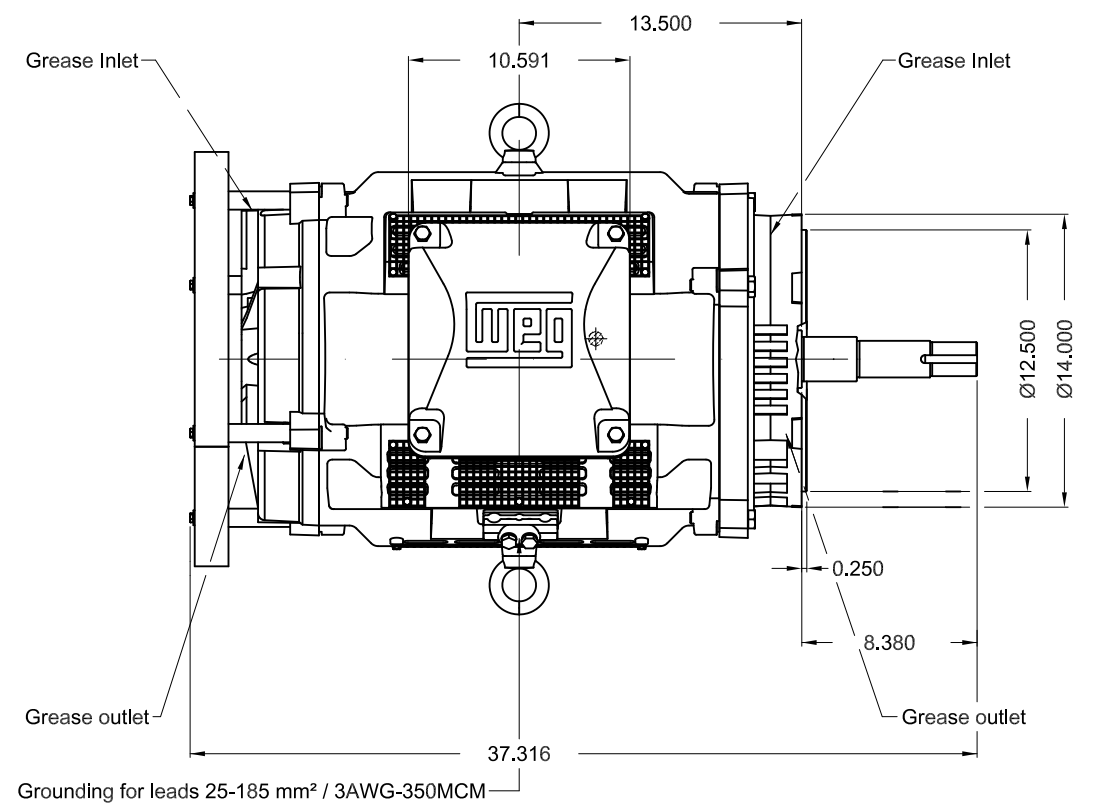
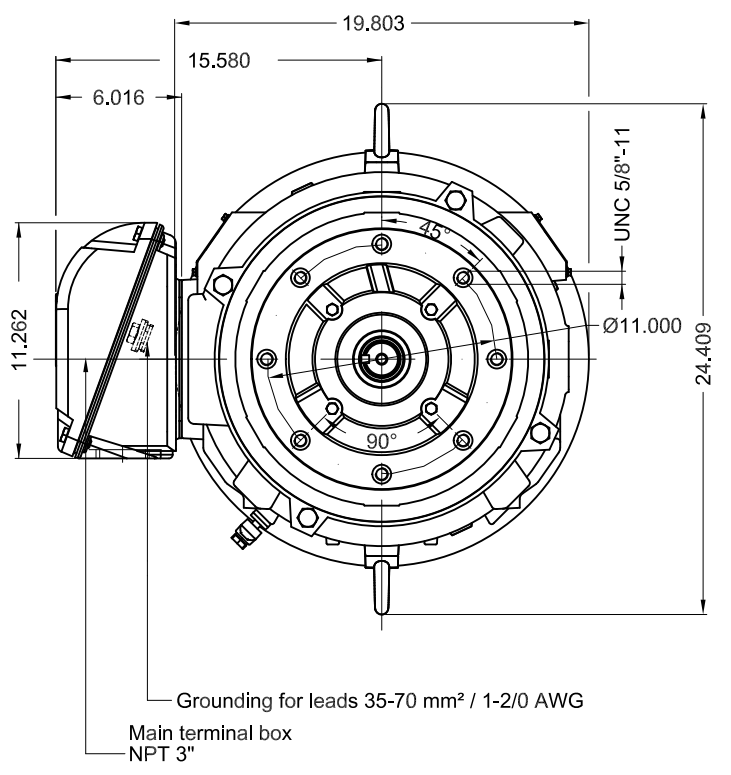
Performance : 208-230/460 V 60 Hz 4P


Rated current : 257-232/116 A	Moment of inertia (J) : 17.5 sq.ft.lb
LRC : 6.2	Duty cycle : Cont.(S1)
Rated torque : 292 ft.lb	Insulation class : F
Locked rotor torque : 220 %	Service factor : 1.15
Breakdown torque : 250 %	Temperature rise : 80 K
Rated speed : 1775 rpm	Design : B

Rev.	Changes Summary	Performed	Checked	Date
Performed by			Page 2 / 2	Revision
Checked by				
Date	16/04/2019			

Dimensões em polegada  
Dimensions in inches

THIS IS AN UPDATED REVISION, THE  
PREVIOUS ONE MUST BE DISREGARDED.



Color RAL 3002									
Painting plan 203A									
Mounting V18									
					SCALE	1:9			
ECM	LOC	SUMMARY OF MODIFICATIONS			EXECUTED	CHECKED	RELEASED	DATE	VER
EXECUTED	USERADMIN	THREE PHASE W40 MOTOR HIGH EFF							
CHECKED		FRAME 404/5JP IP23 ODP							
RELEASED		CLOSE COUPLED PUMP JP TYPE   W							
REL DT	16.04.2019	WMO	Jaragua do Sul	Product Engineering	SHEET	1 / 1			

100 HP 04 Poles 60Hz

A