

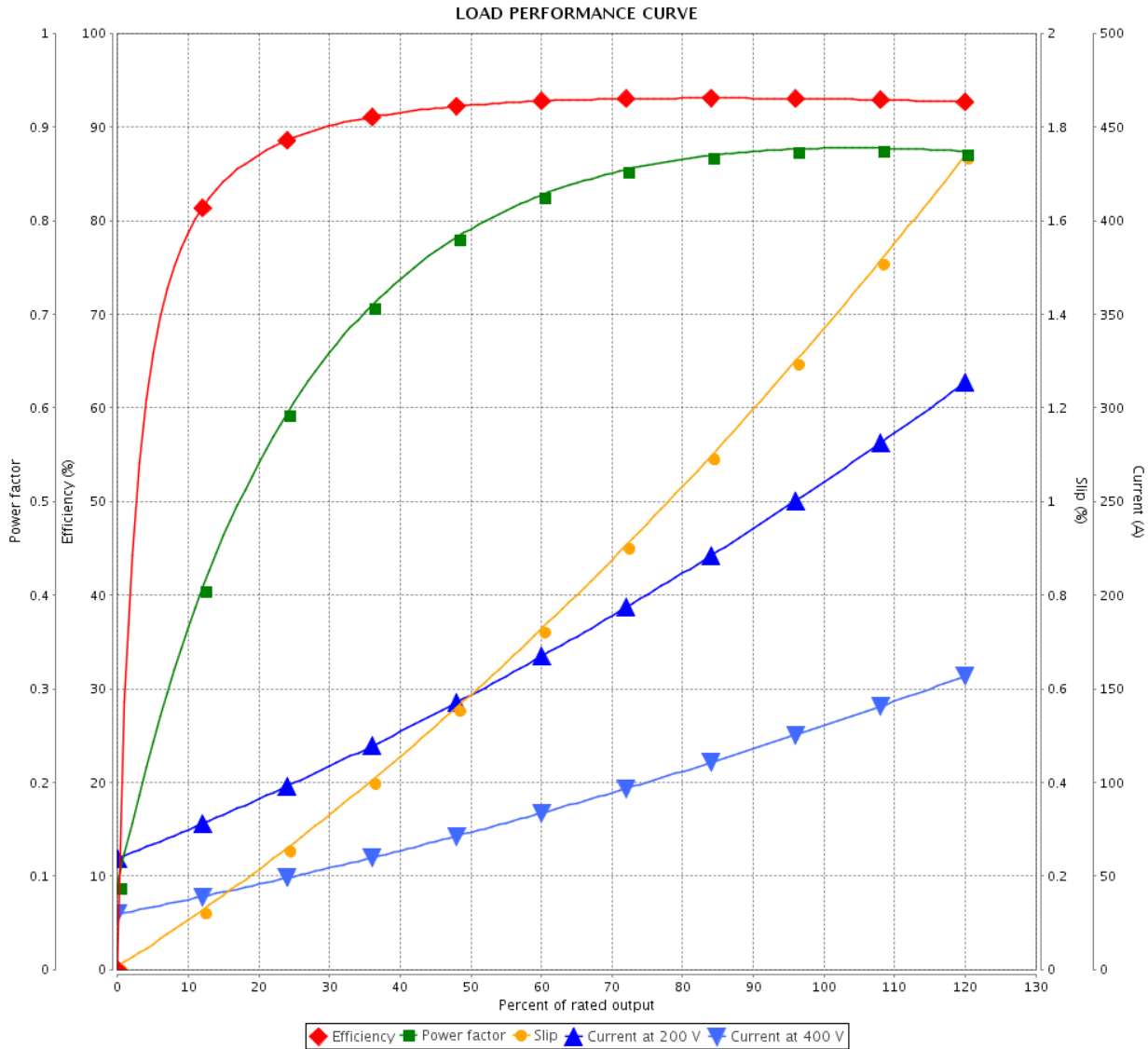
LOAD PERFORMANCE CURVE



Three Phase Induction Motor - Squirrel Cage

Customer : Dealers Industrial Equipment 800-469-3110
 Customer reference : 14827993

Product line : W40 JP Pump High Efficiency Three-Phase Product code : 14827993
 Catalog # : 10036OP3VFP365JPV-W4



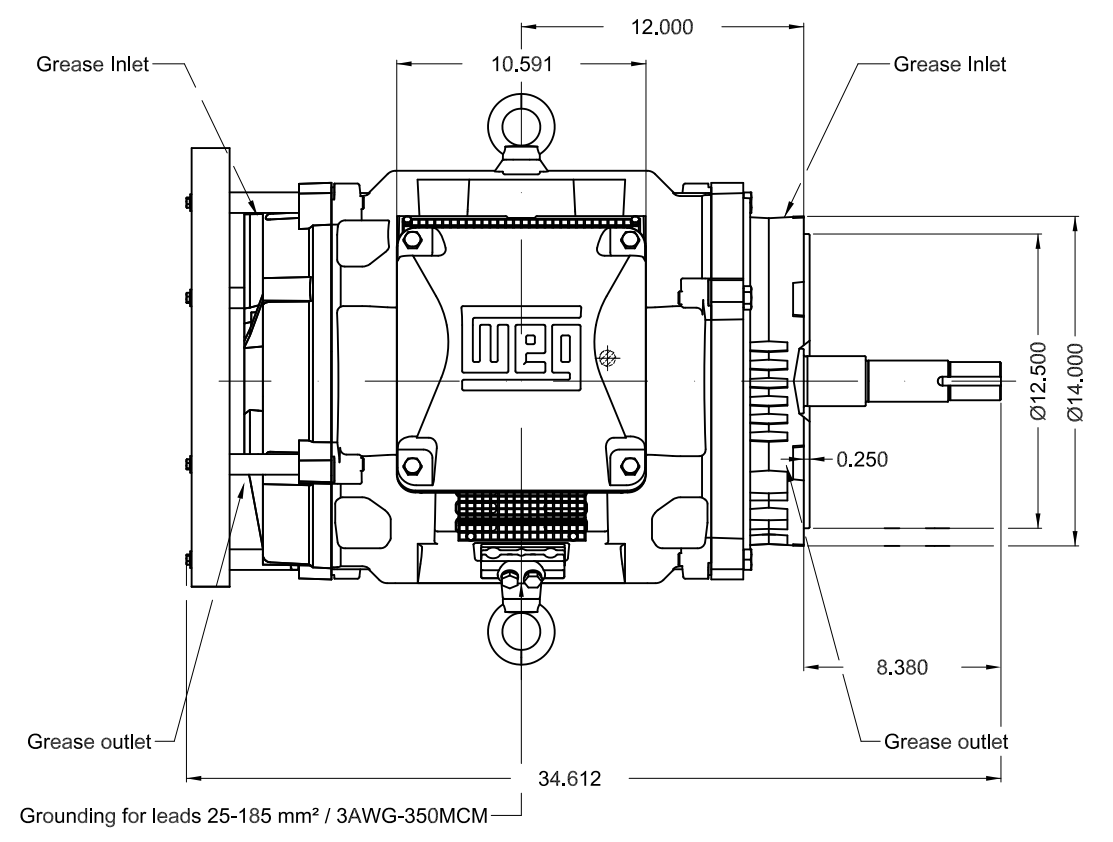
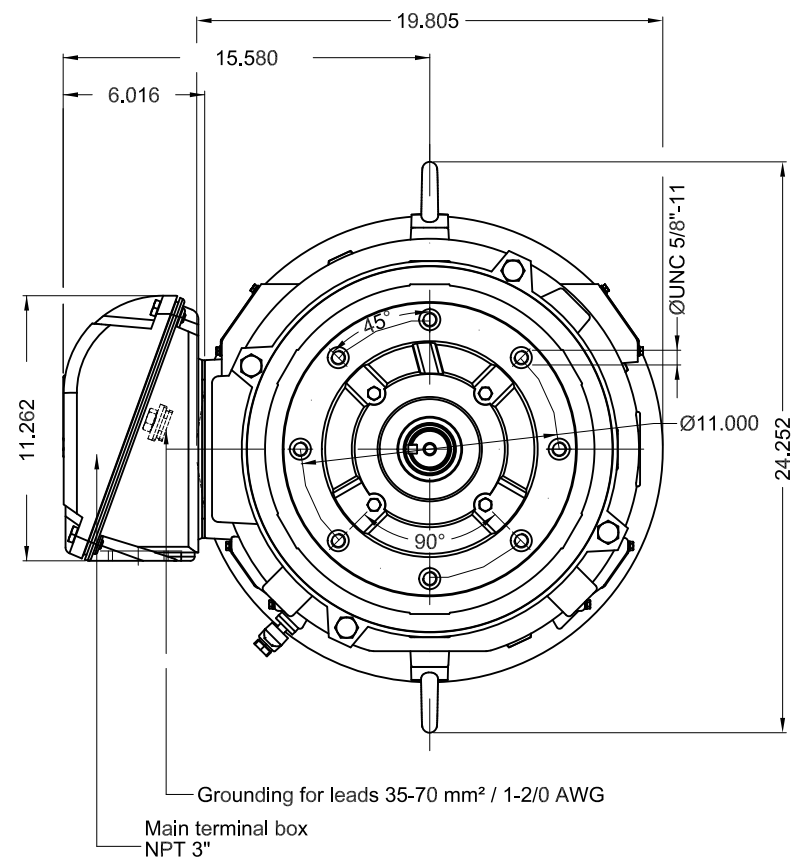
Performance : 200/400 V 60 Hz 2P

Rated current : 265/132 A	Moment of inertia (J) : 6.80 sq.ft.lb
LRC : 5.7	Duty cycle : Cont.(S1)
Rated torque : 146 ft.lb	Insulation class : F
Locked rotor torque : 170 %	Service factor : 1.15
Breakdown torque : 229 %	Temperature rise : 80 K
Rated speed : 3550 rpm	Design : B

Rev.	Changes Summary	Performed	Checked	Date
Performed by			Page 2 / 2	Revision
Checked by				
Date	16/04/2019			

Dimensões em polegada
Dimensions in inches

THIS IS AN UPDATED REVISION, THE
PREVIOUS ONE MUST BE DISREGARDED.



Color RAL 3002									
Painting plan 203A									
Mounting V18									
					SCALE	1:8			
ECM	LOC	SUMMARY OF MODIFICATIONS			EXECUTED	CHECKED	RELEASED	DATE	VER
EXECUTED	USERADMIN	THREE PHASE W40 MOTOR HIGH EFF							
CHECKED		FRAME 364/5JP IP23 ODP							
RELEASED		CLOSE COUPLED PUMP JP TYPE W							
REL DT	16.04.2019	WMO	Jaragua do Sul	Product Engineering	SHEET	1 / 1			

100 HP 02 Poles 60Hz

A

