

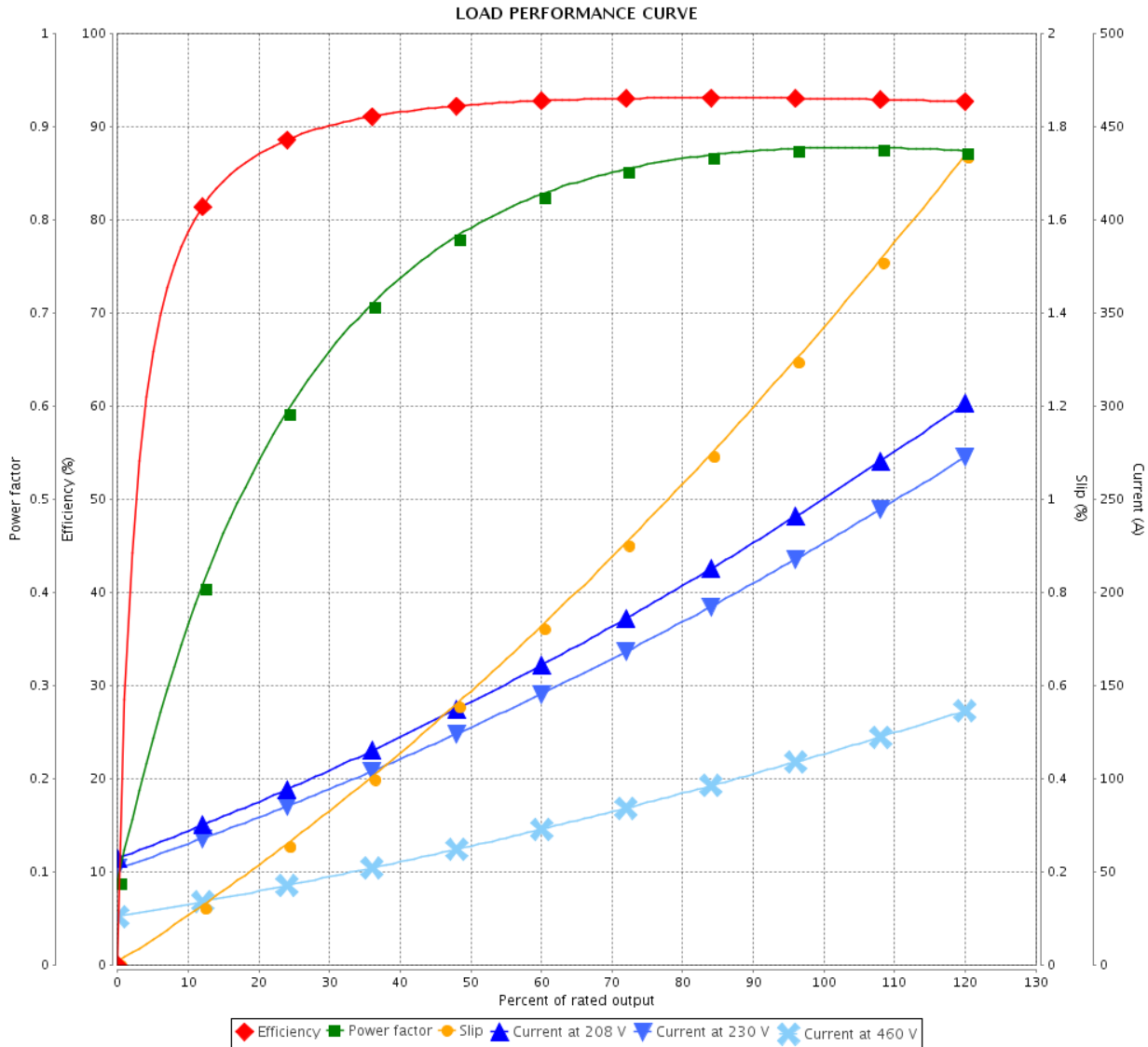
LOAD PERFORMANCE CURVE



Three Phase Induction Motor - Squirrel Cage

Customer : Dealers Industrial Equipment 800-469-3110
 Customer reference : 14827965

Product line : W40 JP Pump High Efficiency Three-Phase Product code : 14827965
 Catalog # : 10036OP3EFP365JPV-W4



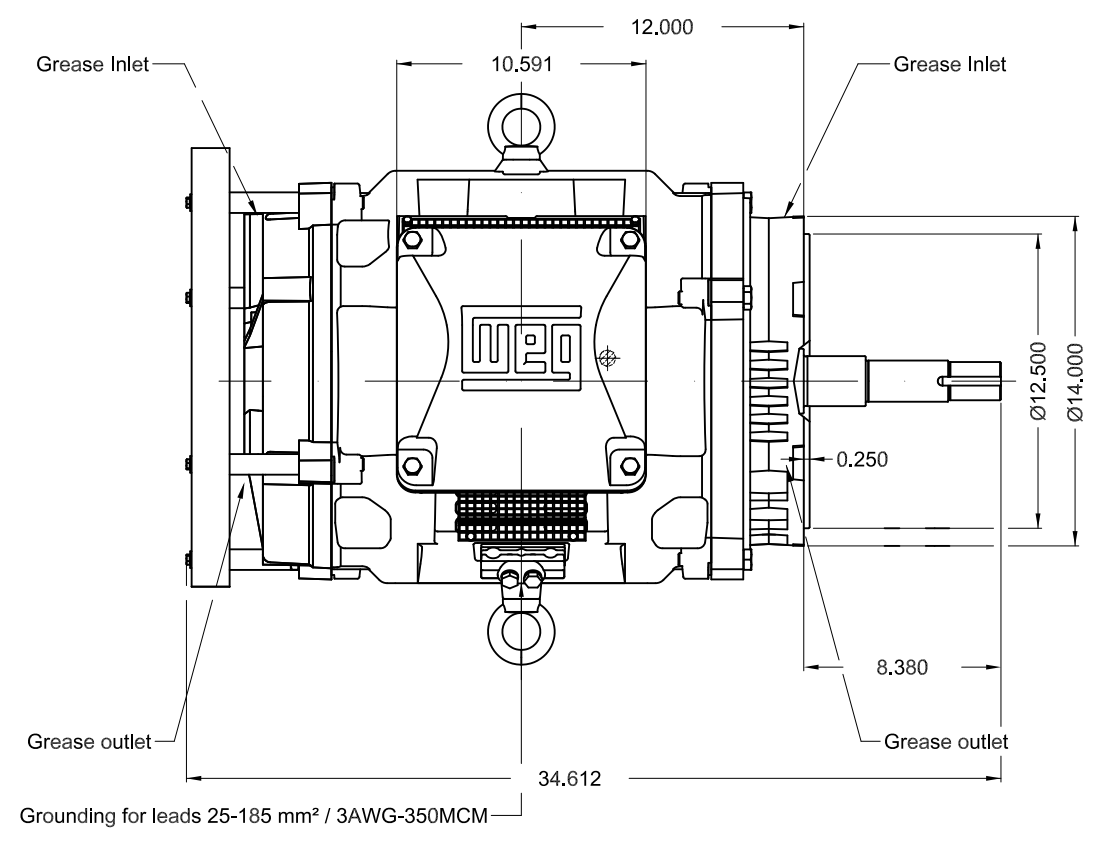
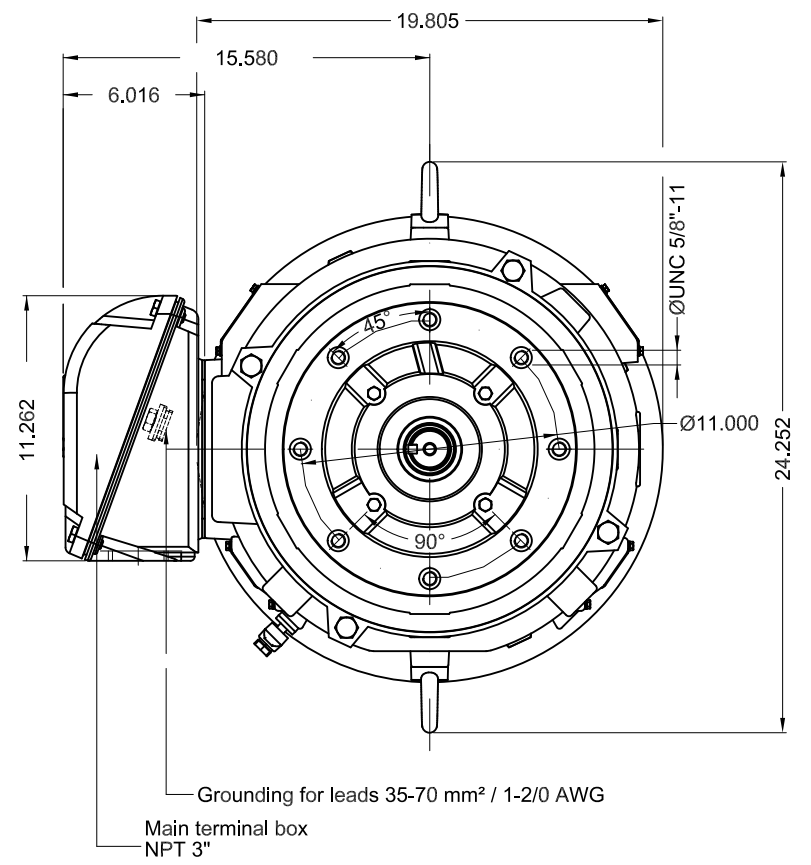
Performance : 208-230/460 V 60 Hz 2P

Rated current : 252-230/115 A	Moment of inertia (J) : 6.80 sq.ft.lb
LRC : 5.7	Duty cycle : Cont.(S1)
Rated torque : 146 ft.lb	Insulation class : F
Locked rotor torque : 170 %	Service factor : 1.15
Breakdown torque : 229 %	Temperature rise : 80 K
Rated speed : 3550 rpm	Design : B

Rev.	Changes Summary	Performed	Checked	Date
Performed by			Page 2 / 2	Revision
Checked by				
Date	16/04/2019			

Dimensões em polegada
Dimensions in inches

THIS IS AN UPDATED REVISION, THE
PREVIOUS ONE MUST BE DISREGARDED.



Color RAL 3002						
Painting plan 203A						
Mounting V18						
					SCALE	1:8
ECM	LOC	SUMMARY OF MODIFICATIONS			EXECUTED	CHECKED
EXECUTED	USERADMIN	THREE PHASE W40 MOTOR HIGH EFF				
CHECKED		FRAME 364/5JP IP23 ODP				
RELEASED		CLOSE COUPLED PUMP JP TYPE W				
REL DT	16.04.2019	WMO	Jaragua do Sul	Product Engineering	SHEET	1 / 1

100 HP 02 Poles 60Hz

A

