

# DATA SHEET



## Three Phase Induction Motor - Squirrel Cage

Customer	: Dealers Industrial Equipment 800-469-3110				
Customer reference	: 02536OT3ECD256T-W40				
Product line	: W40 NEMA Premium Efficiency Three-Phase	Product code :	14822614		
		Catalog # :	02536OT3ECD256T-W40		
Frame	: 254/6T	Locked rotor time	: 19s (cold) 11s (hot)		
Output	: 25 HP (18.5 kW)	Temperature rise	: 80 K		
Poles	: 2	Duty cycle	: Cont.(S1)		
Frequency	: 60 Hz	Ambient temperature	: -20°C to +40°C		
Rated voltage	: 208-230/460 V	Altitude	: 1000 m.a.s.l.		
Rated current	: 63.7-57.6/28.8 A	Protection degree	: IP23		
L. R. Amperes	: 414-374/187 A	Cooling method	: IC01 - ODP		
LRC	: 6.5x(Code G)	Mounting	: F-1		
No load current	: 14.7-17.0/8.50 A	Rotation <sup>1</sup>	: Both (CW and CCW)		
Rated speed	: 3535 rpm	Starting method	: Direct On Line		
Slip	: 1.81 %	Approx. weight <sup>3</sup>	: 276 lb		
Rated torque	: 36.6 ft.lb				
Locked rotor torque	: 200 %				
Breakdown torque	: 280 %				
Insulation class	: F				
Service factor	: 1.25				
Moment of inertia (J)	: 1.13 sq.ft.lb				
Design	: B				
Output	50%	75%	100%	Foundation loads	
Efficiency (%)	91.0	91.7	91.7	Max. traction	
Power Factor	0.77	0.85	0.88	Max. compression	
		<u>Drive end</u>	<u>Non drive end</u>		
Bearing type	:	6309 Z C3	6209 Z C3		
Sealing	:	Without Bearing Seal	Without Bearing Seal		
Lubrication interval	:	20000 h	20000 h		
Lubricant amount	:	13 g	9 g		
Lubricant type	:	Mobil Polyrex EM			
Notes downloaded from <a href="http://dealerselectric.com">http://dealerselectric.com</a>					
This revision replaces and cancel the previous one, which must be eliminated. (1) Looking the motor from the shaft end. (2) Measured at 1m and with tolerance of +3dB(A). (3) Approximate weight subject to changes after manufacturing process. (4) At 100% of full load.			These are average values based on tests with sinusoidal power supply, subject to the tolerances stipulated in NEMA MG-1.		
Rev.	Changes Summary		Performed	Checked	Date
Performed by					
Checked by				Page	Revision
Date	22/04/2019			1 / 2	

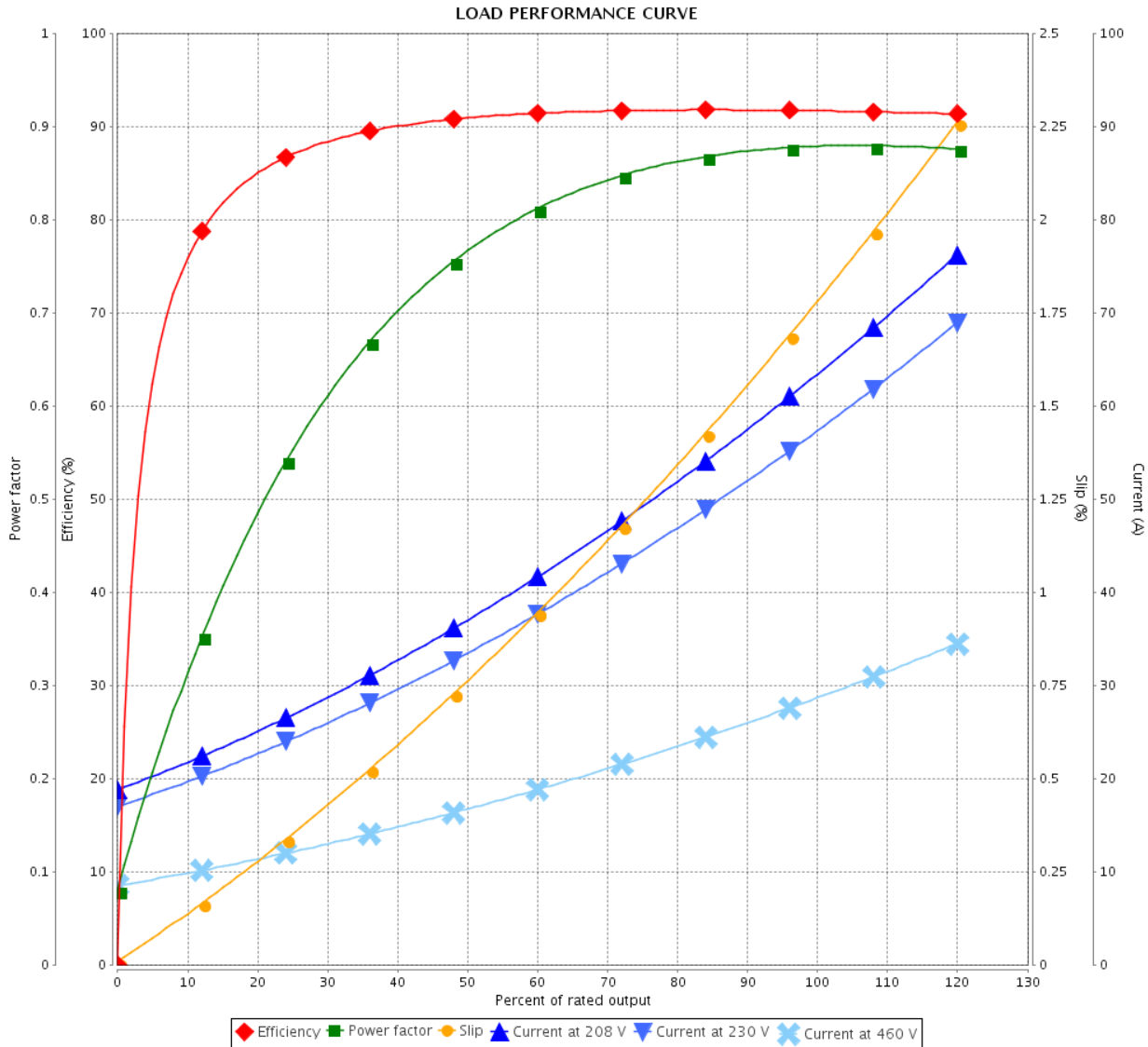
# LOAD PERFORMANCE CURVE



## Three Phase Induction Motor - Squirrel Cage

Customer : Dealers Industrial Equipment 800-469-3110  
 Customer reference : 02536OT3ECD256T-W40

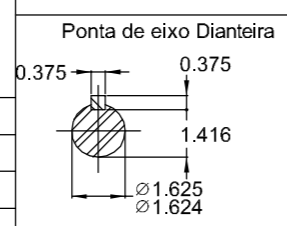
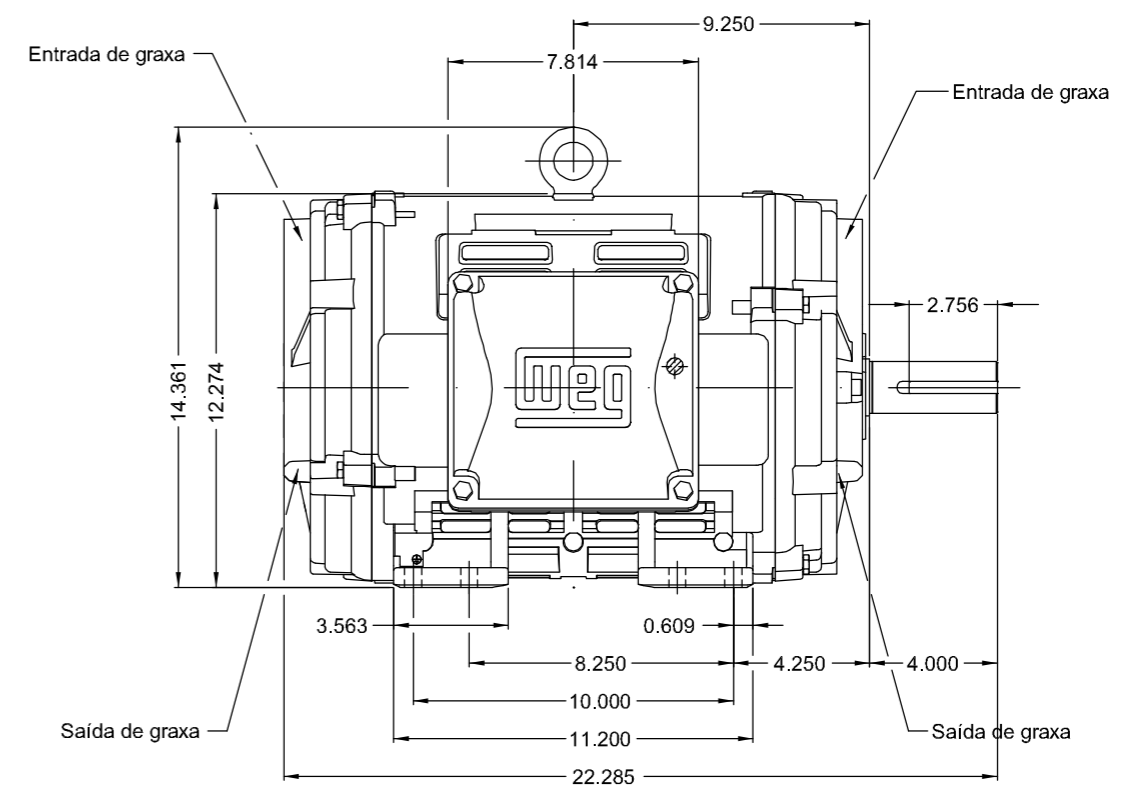
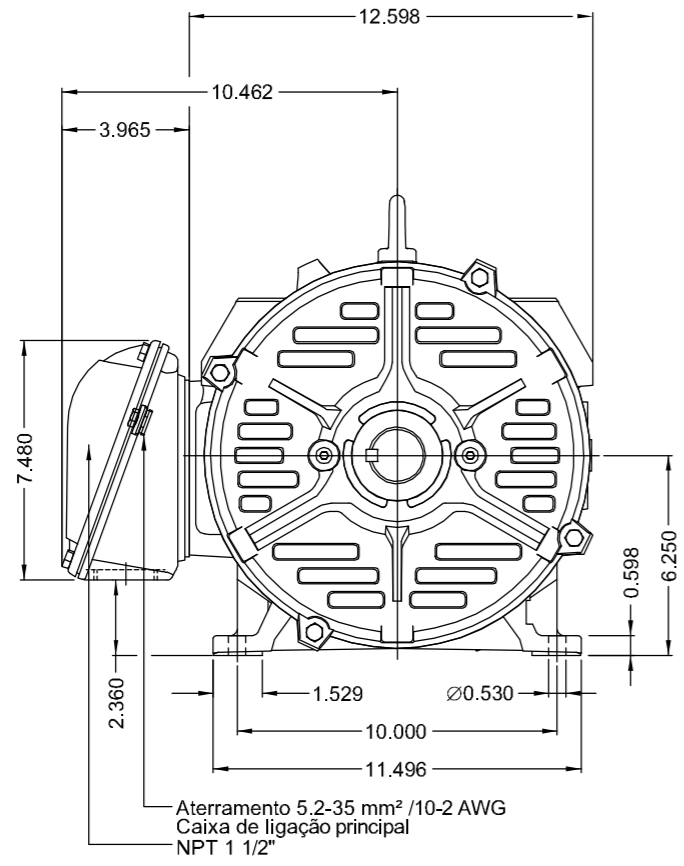
Product line : W40 NEMA Premium Efficiency Three-Phase      Product code : 14822614  
 Catalog # : 02536OT3ECD256T-W40



Performance : 208-230/460 V 60 Hz 2P

Rated current : 63.7-57.6/28.8 A	Moment of inertia (J) : 1.13 sq.ft.lb
LRC : 6.5	Duty cycle : Cont.(S1)
Rated torque : 36.6 ft.lb	Insulation class : F
Locked rotor torque : 200 %	Service factor : 1.25
Breakdown torque : 280 %	Temperature rise : 80 K
Rated speed : 3535 rpm	Design : B

Rev.	Changes Summary	Performed	Checked	Date
Performed by			Page 2 / 2	Revision
Checked by				
Date	22/04/2019			



- Cabos de ligação numerados com etiqueta
- Cabos de ligação sem terminais
- Forma construtiva NEMA F-1
- Forma construtiva B3D

25 HP 02 Polos 60Hz										A
<b>WEG ELECTRIC CORPORATION - WEC</b>										
[1:6]										
500001573023	DOCUMENTO NOVO				SCARMAGNANI	MAKONP	MARLONB	20.03.2019	00	
ECM	LOC	RESUMO MODIFICAÇÃO				EXECUTADO	VERIFICADO	LIBERADO	DATA	VER
EXECUTOR	SCARMAGNANI	MOTOR TRIFÁSICO W40 NEMA PREMIUM EFF CARÇAÇA 254/6T IP23 ODP				10006464212				
VERIFICADOR	MAKONP					000	00			
LIBERADOR	MARLONB	Jaragua do Sul				Engenharia de Produto		FOLHA 1 / 1		
DATA LB.	20.03.2019	WMO	Jaragua do Sul		Engenharia de Produto		FOLHA 1 / 1		ZME A3	