

DATA SHEET



Three Phase Induction Motor - Squirrel Cage

Customer : Dealers Industrial Equipment 800-469-3110		Customer reference : 14822545			
Product line : W40 NEMA Premium Efficiency Three-Phase		Product code : 14822545			
Frame : 254T Output : 15 HP (11 kW) Poles : 4 Frequency : 60 Hz Rated voltage : 575 V Rated current : 14.0 A L. R. Amperes : 89.6 A LRC : 6.4x(Code G) No load current : 5.20 A Rated speed : 1770 rpm Slip : 1.67 % Rated torque : 43.9 ft.lb Locked rotor torque : 240 % Breakdown torque : 280 % Insulation class : F Service factor : 1.25 Moment of inertia (J) : 2.72 sq.ft.lb Design : B	Locked rotor time : 30s (cold) 17s (hot) Temperature rise : 80 K Duty cycle : Cont.(S1) Ambient temperature : -20°C to +40°C Altitude : 1000 m.a.s.l. Protection degree : IP23 Cooling method : IC01 - ODP Mounting : F-1 Rotation ¹ : Both (CW and CCW) Noise level ² : 62.0 dB(A) Starting method : Direct On Line Approx. weight ³ : 289 lb				
Output	50%	75%	100%		
Efficiency (%)	91.7	92.4	93.0		
Power Factor	0.38	0.78	0.85		
Foundation loads					
Max. traction					
Max. compression					
		<u>Drive end</u>	<u>Non drive end</u>		
Bearing type	:	6309 Z C3	6209 Z C3		
Sealing	:	Without Bearing Seal	Without Bearing Seal		
Lubrication interval	:	20000 h	20000 h		
Lubricant amount	:	13 g	9 g		
Lubricant type	:	Mobil Polyrex EM			
Notes downloaded from http://dealerselectric.com					
This revision replaces and cancel the previous one, which must be eliminated. (1) Looking the motor from the shaft end. (2) Measured at 1m and with tolerance of +3dB(A). (3) Approximate weight subject to changes after manufacturing process. (4) At 100% of full load.		These are average values based on tests with sinusoidal power supply, subject to the tolerances stipulated in NEMA MG-1.			
Rev.	Changes Summary		Performed	Checked	Date
Performed by					
Checked by					
Date	16/04/2019			Page	Revision
				1 / 2	

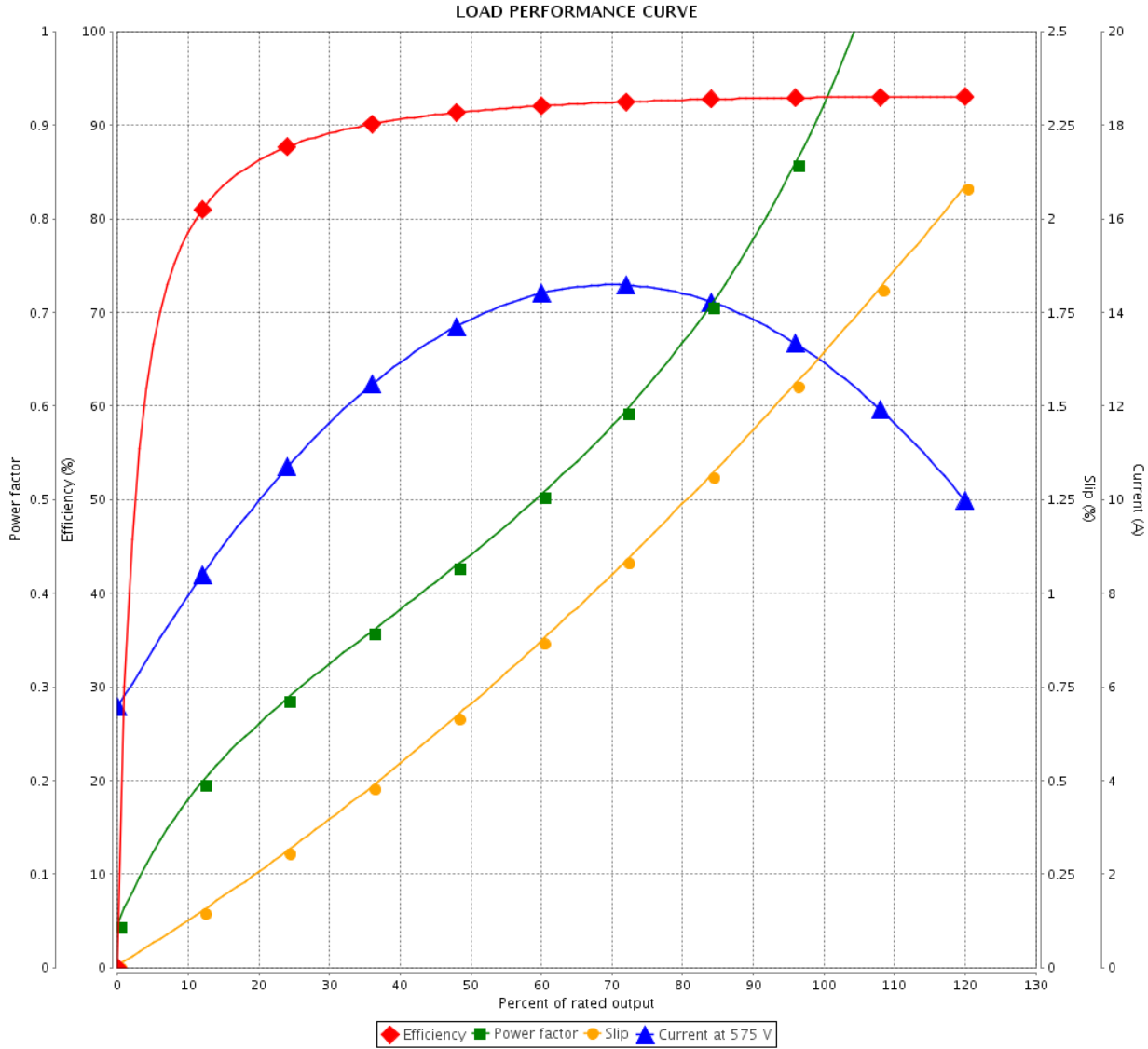
LOAD PERFORMANCE CURVE



Three Phase Induction Motor - Squirrel Cage

Customer : Dealers Industrial Equipment 800-469-3110
 Customer reference : 14822545

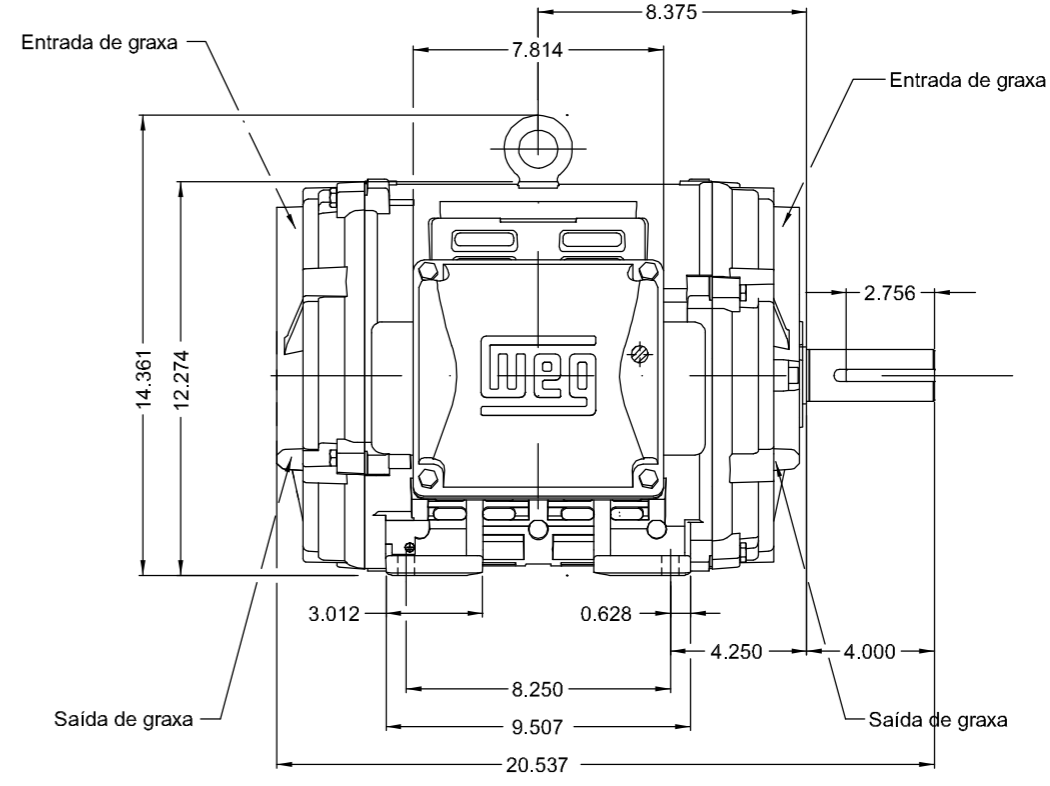
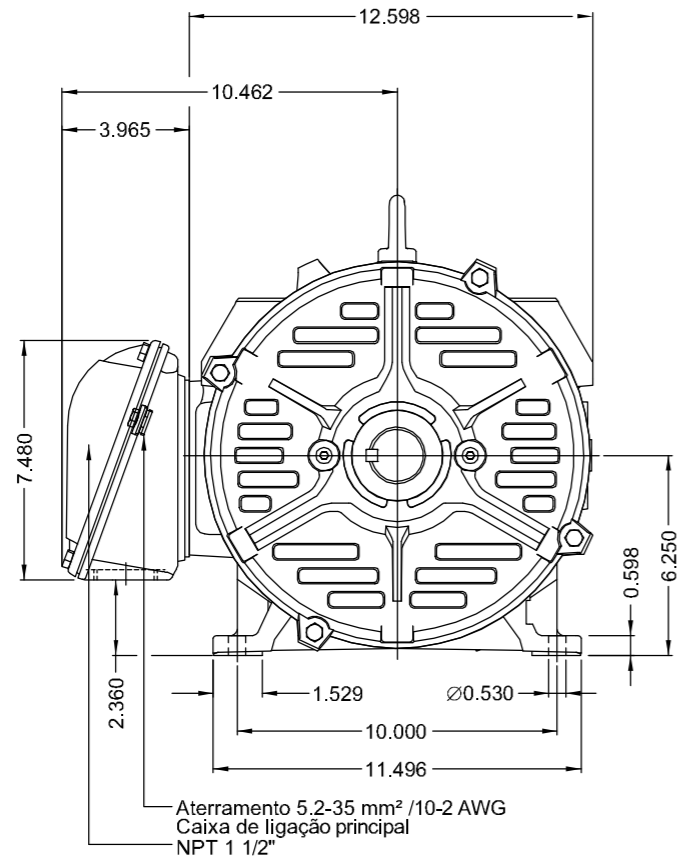
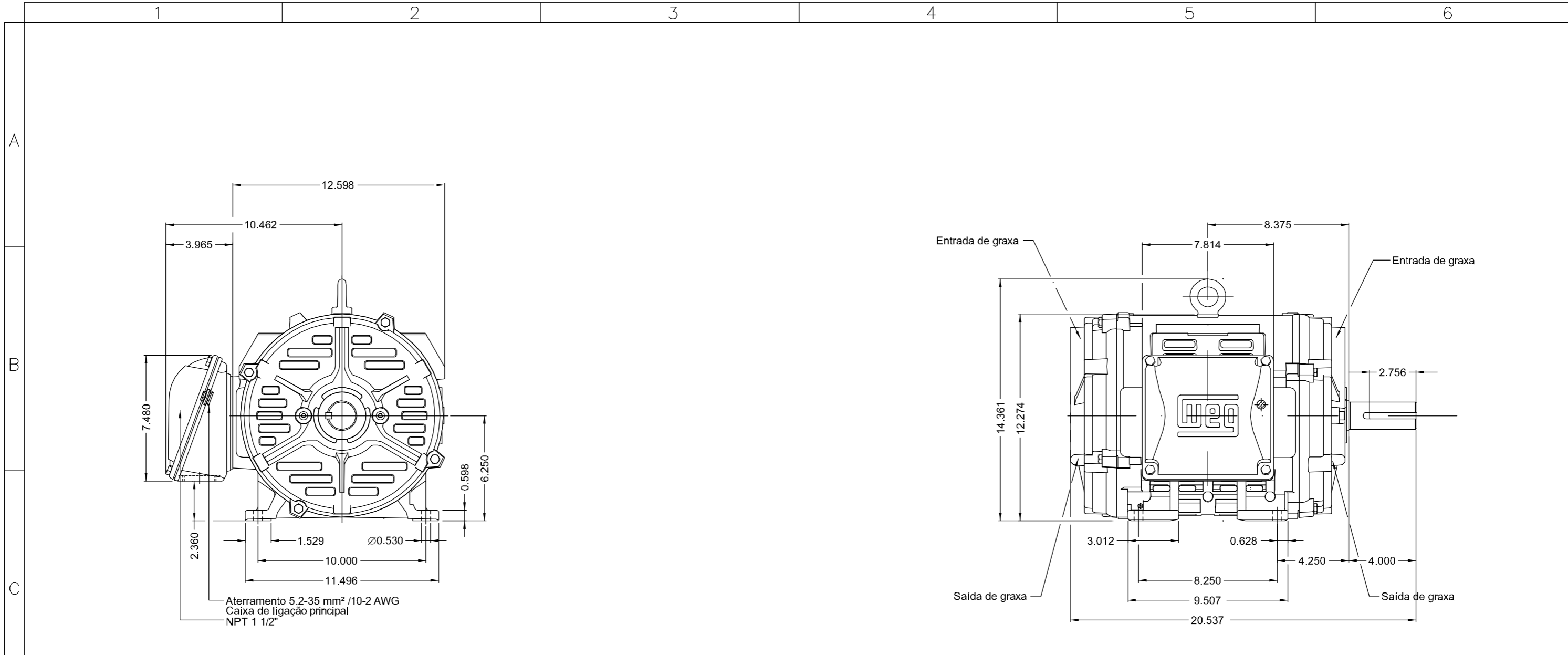
Product line : W40 NEMA Premium Efficiency Three-Phase Product code : 14822545



Performance : 575 V 60 Hz 4P

Rated current : 14.0 A	Moment of inertia (J) : 2.72 sq.ft.lb
LRC : 6.4	Duty cycle : Cont.(S1)
Rated torque : 43.9 ft.lb	Insulation class : F
Locked rotor torque : 240 %	Service factor : 1.25
Breakdown torque : 280 %	Temperature rise : 80 K
Rated speed : 1770 rpm	Design : B

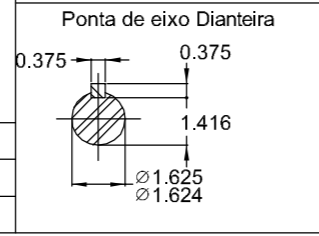
Rev.	Changes Summary	Performed	Checked	Date
Performed by			Page 2 / 2	Revision
Checked by				
Date	16/04/2019			



Cabos de ligação numerados com etiqueta

Forma construtiva NEMA F-1

Forma construtiva B3D



15 HP 04 Polos 60Hz										A
WEG ELECTRIC CORPORATION - WEC										
[1:6]										
500001573023	DOCUMENTO NOVO				NSCHMIDT	MAIKONP	MARLONB	20.03.2019	00	
ECM	LOC	RESUMO MODIFICAÇÃO				EXECUTADO	VERIFICADO	LIBERADO	DATA	VER
EXECUTOR	NSCHMIDT	MOTOR TRIFÁSICO W40 NEMA PREMIUM EFF CARÇAÇA 254T IP23 ODP				10006464116				
VERIFICADOR	MAIKONP					000	00			
LIBERADOR	MARLONB	Jaraguá do Sul				Engenharia de Produto		FOLHA 1 / 1		
DATA LB.	20.03.2019	WMO								

CÓPIA SEM CONTROLE

Dimensões em polegadas

LIBERADO

ZME A3