

DATA SHEET



Three Phase Induction Motor - Squirrel Cage

Customer : Dealers Industrial Equipment 800-469-3110
 Customer reference : 02036OP3HFP254TC-W40

Product line : W40 High Efficiency Three-Phase Product code : 14788724
 Catalog # : 02036OP3HFP254TC-W40

Frame	: 254TC	Locked rotor time	: 28s (cold) 16s (hot)
Output	: 20 HP (15 kW)	Temperature rise	: 80 K
Poles	: 2	Duty cycle	: Cont.(S1)
Frequency	: 60 Hz	Ambient temperature	: -20°C to +40°C
Rated voltage	: 575 V	Altitude	: 1000 m.a.s.l.
Rated current	: 19.4 A	Protection degree	: IP23
L. R. Amperes	: 115 A	Cooling method	: IC01 - ODP
LRC	: 5.9x(Code G)	Mounting	: F-1
No load current	: 6.48 A	Rotation ¹	: Both (CW and CCW)
Rated speed	: 3530 rpm	Starting method	: Direct On Line
Slip	: 1.94 %	Approx. weight ³	: 238 lb
Rated torque	: 29.4 ft.lb		
Locked rotor torque	: 170 %		
Breakdown torque	: 240 %		
Insulation class	: F		
Service factor	: 1.15		
Moment of inertia (J)	: 0.8718 sq.ft.lb		
Design	: B		

Output	50%	75%	100%	Foundation loads
Efficiency (%)	89.5	90.2	90.2	Max. traction
Power Factor	0.77	0.85	0.86	Max. compression

		<u>Drive end</u>	<u>Non drive end</u>
Bearing type	:	6309 Z C3	6209 Z C3
Sealing	:	Without Bearing Seal	Without Bearing Seal
Lubrication interval	:	20000 h	20000 h
Lubricant amount	:	13 g	9 g
Lubricant type	:	Mobil Polyrex EM	

Notes
 downloaded from <http://dealerselectric.com>

This revision replaces and cancel the previous one, which must be eliminated.
 (1) Looking the motor from the shaft end.
 (2) Measured at 1m and with tolerance of +3dB(A).
 (3) Approximate weight subject to changes after manufacturing process.
 (4) At 100% of full load.

These are average values based on tests with sinusoidal power supply, subject to the tolerances stipulated in NEMA MG-1.

Rev.	Changes Summary	Performed	Checked	Date
Performed by				
Checked by			Page	Revision
Date	22/04/2019		1 / 2	

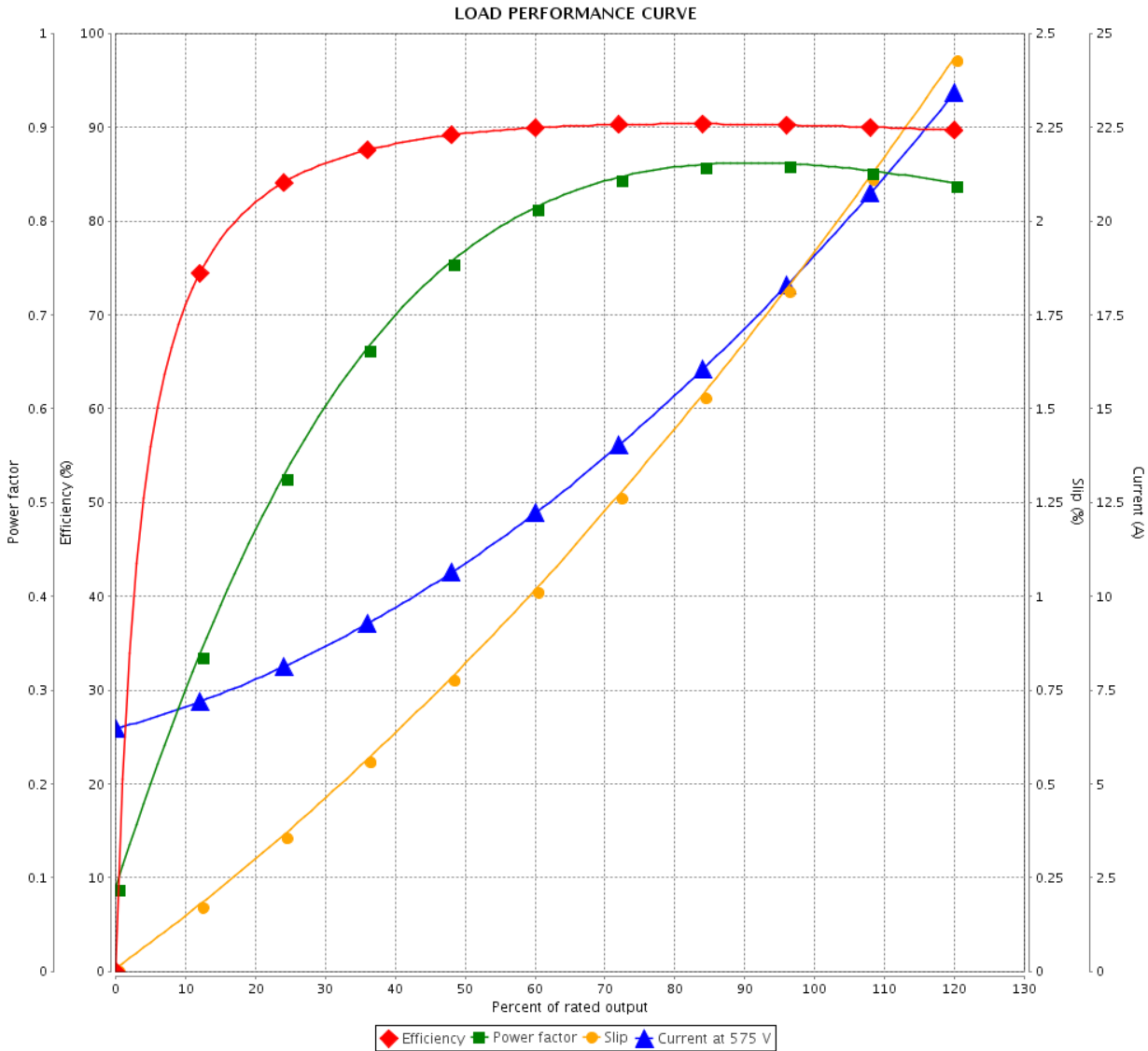
LOAD PERFORMANCE CURVE



Three Phase Induction Motor - Squirrel Cage

Customer : Dealers Industrial Equipment 800-469-3110
 Customer reference : 02036OP3HFP254TC-W40

Product line : W40 High Efficiency Three-Phase Product code : 14788724
 Catalog # : 02036OP3HFP254TC-W40



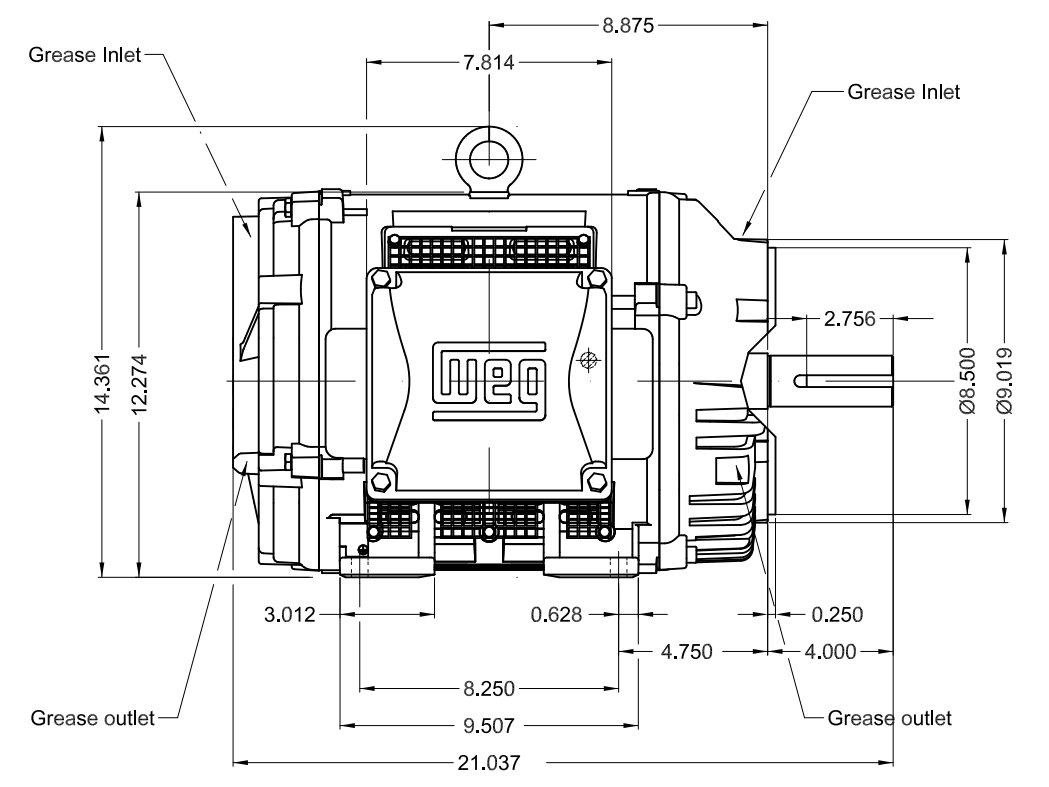
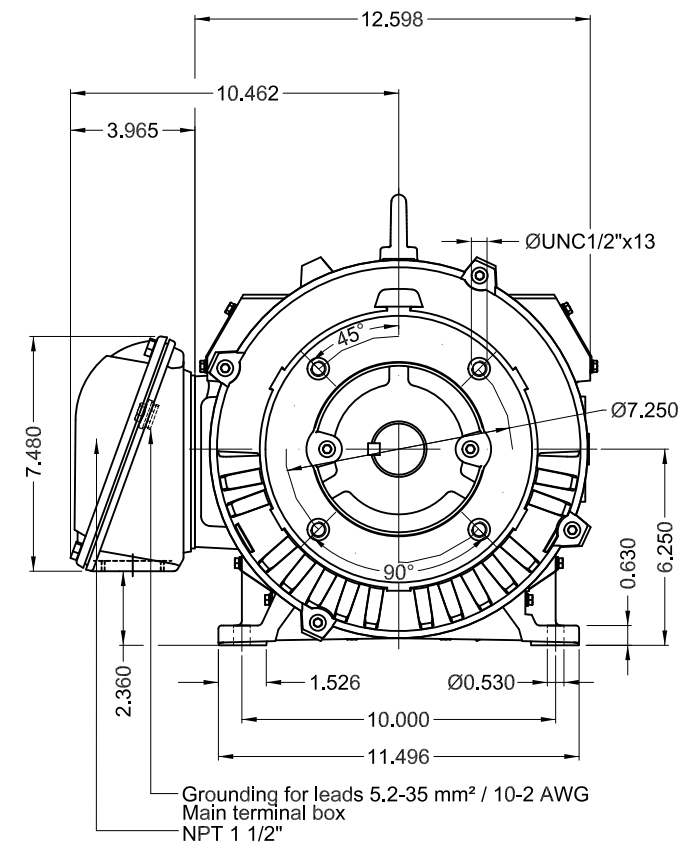
Performance : 575 V 60 Hz 2P

Rated current : 19.4 A	Moment of inertia (J) : 0.8718 sq.ft.lb
LRC : 5.9	Duty cycle : Cont.(S1)
Rated torque : 29.4 ft.lb	Insulation class : F
Locked rotor torque : 170 %	Service factor : 1.15
Breakdown torque : 240 %	Temperature rise : 80 K
Rated speed : 3530 rpm	Design : B

Rev.	Changes Summary	Performed	Checked	Date
Performed by			Page 2 / 2	Revision
Checked by				
Date	22/04/2019			

Dimensões em polegada
Dimensions in inches

THIS IS AN UPDATED REVISION, THE
PREVIOUS ONE MUST BE DISREGARDED.



Bearing cap									
Color RAL 3002									
Painting plan 203A									
Mounting B34R(D)									
						SCALE	1:6		
ECM	LOC	SUMMARY OF MODIFICATIONS			EXECUTED	CHECKED	RELEASED	DATE	VER
EXECUTED	USERADMIN	THREE PHASE W40 MOTOR HIGH EFF							
CHECKED		FRAME 254TC IP23 ODP							
RELEASED		WEG code: 14788724							
REL DT	22.04.2019	WMO	Jaragua do Sul	Product Engineering	SHEET	1 / 1			

20 HP 02 Poles 60Hz

A

