

DATA SHEET



Three Phase Induction Motor - Squirrel Cage

Customer	: Dealers Industrial Equipment 800-469-3110				
Customer reference	: 20012XT3H447T				
Product line	: W21 Explosion-proof Motor NEMA Premium Efficiency Three-Phase		Product code :	14653232	
			Catalog # :	20012XT3H447T	
Frame	: 447T		Locked rotor time	: 25s (cold) 14s (hot)	
Output	: 200 HP (150 kW)		Temperature rise	: 80 K	
Poles	: 6		Duty cycle	: Cont.(S1)	
Frequency	: 60 Hz		Ambient temperature	: -20°C to +40°C	
Rated voltage	: 575 V		Altitude	: 1000 m.a.s.l.	
Rated current	: 199 A		Protection degree	: IP55	
L. R. Amperes	: 1554 A		Cooling method	: IC411 - TEFC	
LRC	: 7.8x(Code J)		Mounting	: F-1	
No load current	: 100 A		Rotation ¹	: Both (CW and CCW)	
Rated speed	: 1190 rpm		Noise level ²	: 73.0 dB(A)	
Slip	: 0.83 %		Starting method	: Direct On Line	
Rated torque	: 871 ft.lb		Approx. weight ³	: 2615 lb	
Locked rotor torque	: 270 %				
Breakdown torque	: 280 %				
Insulation class	: F				
Service factor	: 1.15				
Moment of inertia (J)	: 134 sq.ft.lb				
Design	: B				
Output	25%	50%	75%	100%	
Efficiency (%)	94.0	94.5	95.4	95.8	
Power Factor	0.35	0.60	0.73	0.79	
	Foundation loads				
	Max. traction			: 5280 lb	
	Max. compression			: 7895 lb	
	<u>Drive end</u>		<u>Non drive end</u>		
Bearing type	: 6319 C3		: 6316 C3		
Sealing	: Viton Oil Seal		: Lip Seal		
Lubrication interval	: 11094 h		: 12823 h		
Lubricant amount	: 45 g		: 34 g		
Lubricant type	: Mobil Polyrex EM				
Notes downloaded from http://dealerselectric.com					
This revision replaces and cancel the previous one, which must be eliminated. (1) Looking the motor from the shaft end. (2) Measured at 1m and with tolerance of +3dB(A). (3) Approximate weight subject to changes after manufacturing process. (4) At 100% of full load.			These are average values based on tests with sinusoidal power supply, subject to the tolerances stipulated in NEMA MG-1.		
Rev.	Changes Summary		Performed	Checked	Date
Performed by					
Checked by				Page	Revision
Date	16/04/2019			1 / 3	

DATA SHEET



Three Phase Induction Motor - Squirrel Cage

Customer : Dealers Industrial Equipment 800-469-3110
Customer reference : 20012XT3H447T

Thermal protection

ID	Application	Type	Quantity	Sensing Temperature
1	Winding	Thermostat - 2 wires	1 x Phase	155 °C

Rev.	Changes Summary	Performed	Checked	Date
Performed by				
Checked by			Page	Revision
Date	16/04/2019		2 / 3	

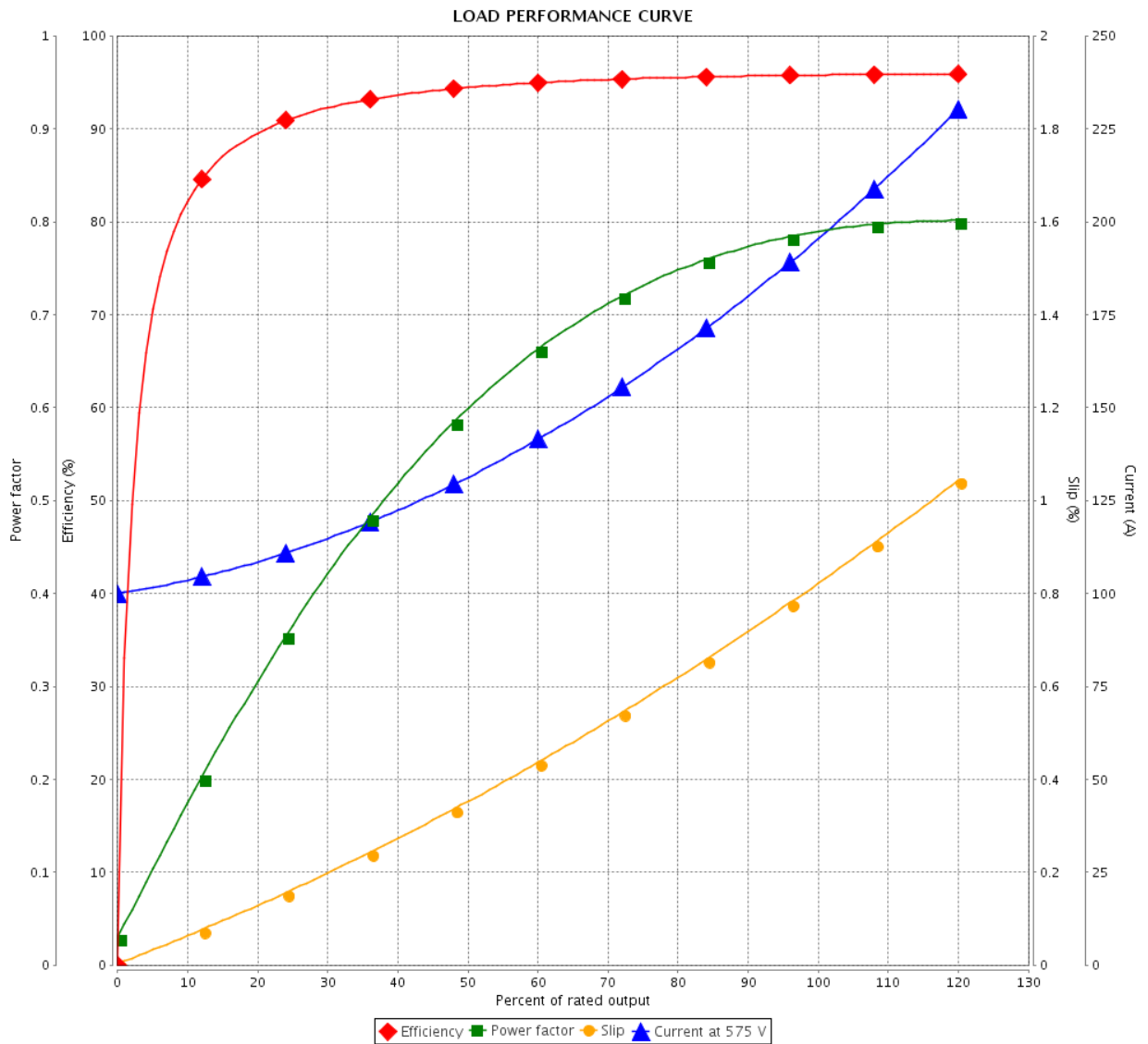
LOAD PERFORMANCE CURVE

Three Phase Induction Motor - Squirrel Cage



Customer : Dealers Industrial Equipment 800-469-3110
 Customer reference : 20012XT3H447T

Product line : W21 Explosion-proof Motor NEMA Premium Efficiency Three-Phase Product code : 14653232
 Catalog # : 20012XT3H447T



Performance : 575 V 60 Hz 6P

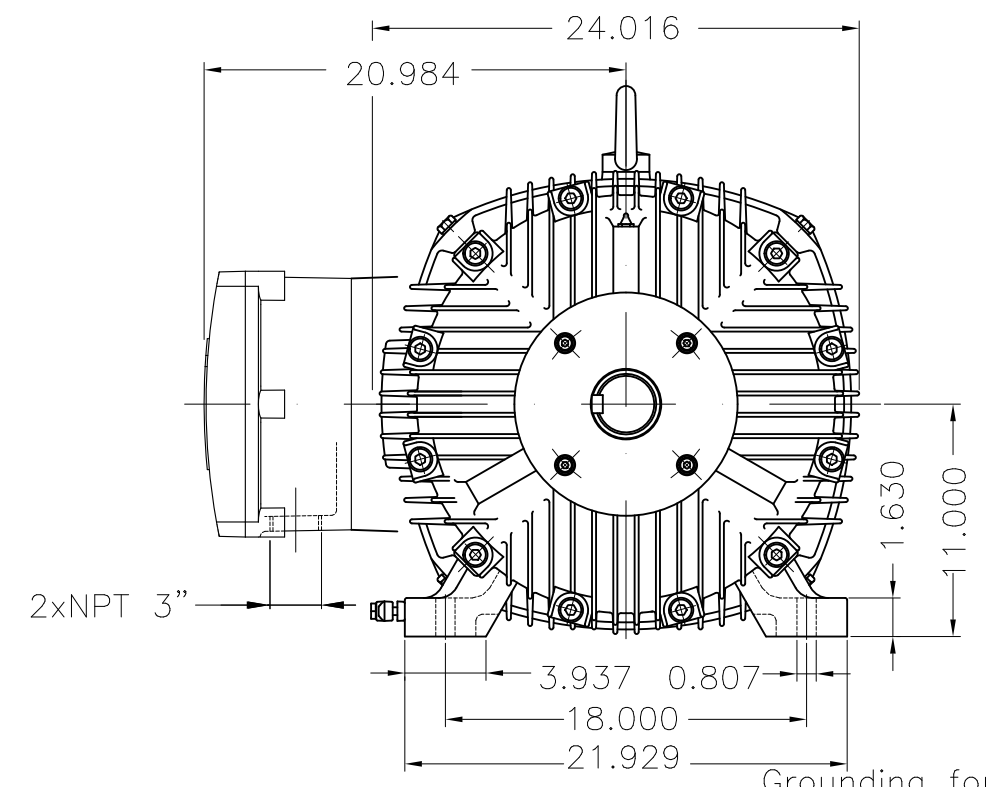
Rated current : 199 A
 LRC : 7.8
 Rated torque : 871 ft.lb
 Locked rotor torque : 270 %
 Breakdown torque : 280 %
 Rated speed : 1190 rpm

Moment of inertia (J) : 134 sq.ft.lb
 Duty cycle : Cont.(S1)
 Insulation class : F
 Service factor : 1.15
 Temperature rise : 80 K
 Design : B

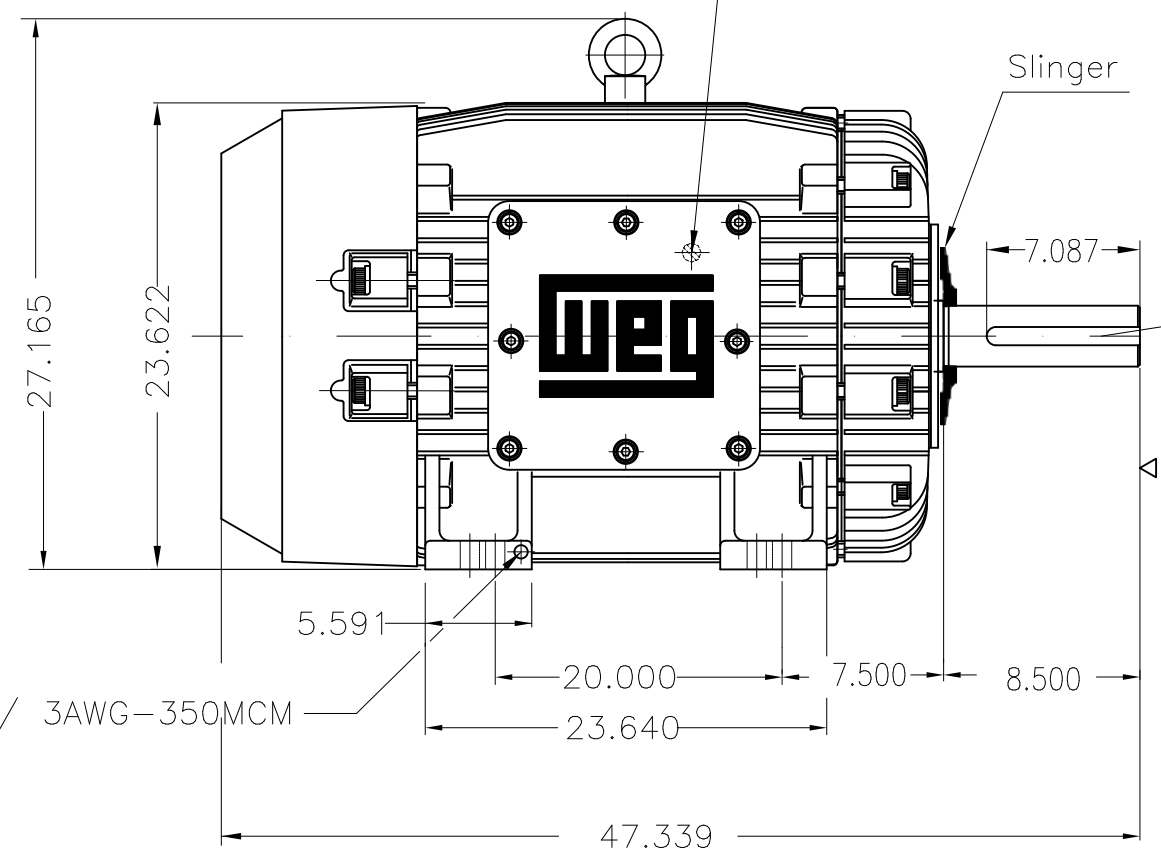
Rev.	Changes Summary	Performed	Checked	Date
Performed by		Page		Revision
Checked by		3 / 3		
Date		16/04/2019		

Dimensões em polegada
Dimensions in inches

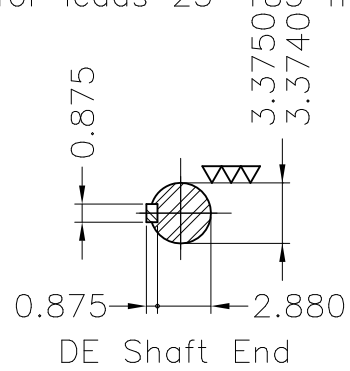
THIS IS AN UPDATED REVISION, THE
PREVIOUS ONE MUST BE DISREGARDED.



Grounding for leads 35-70 mm² / 1-2/0 AWG



Grounding for leads 25-185 mm² / 3AWG-350MCM



Color RAL 5009
Painting plan 202P
Mounting B3R(D)

ECM	LOC	SUMMARY OF MODIFICATIONS	EXECUTED	CHECKED	RELEASED	DATE	VER
EXECUTED	USERADMIN	THREE PHASE EXPL. PROOF MOTOR NEMA P.EFF					
CHECKED		FRAME 447T IP55 TEFC					
RELEASED		WEG code: 14653232					
REL DT	16.04.2019	WMO Jaragua do Sul	Product Engineering	SHEET	1 / 1		

200 HP 06 Poles 60Hz

