

# DATA SHEET



## Three Phase Induction Motor - Squirrel Cage

Customer : Dealers Industrial Equipment 800-469-3110  
 Customer reference : 02018OT3ECD256T-W40

Product line : W40 NEMA Premium Efficiency Three-Phase      Product code : 14599227  
 Catalog # : 02018OT3ECD256T-W40

Frame : 254/6T	Locked rotor time : 21s (cold) 12s (hot)
Output : 20 HP (15 kW)	Temperature rise : 80 K
Poles : 4	Duty cycle : Cont.(S1)
Frequency : 60 Hz	Ambient temperature : -20°C to +40°C
Rated voltage : 208-230/460 V	Altitude : 1000 m.a.s.l.
Rated current : 53.3-48.2/24.1 A	Protection degree : IP23
L. R. Amperes : 341-308/154 A	Cooling method : IC01 - ODP
LRC : 6.4x(Code G)	Mounting : F-1
No load current : 17.2-20.0/10.0 A	Rotation <sup>1</sup> : Both (CW and CCW)
Rated speed : 1765 rpm	Noise level <sup>2</sup> : 62.0 dB(A)
Slip : 1.94 %	Starting method : Direct On Line
Rated torque : 58.7 ft.lb	Approx. weight <sup>3</sup> : 272 lb
Locked rotor torque : 220 %	
Breakdown torque : 280 %	
Insulation class : F	
Service factor : 1.25	
Moment of inertia (J) : B	
Design :	

Output	25%	50%	75%	100%	Foundation loads
Efficiency (%)	0.000	92.4	93.0	93.0	Max. traction
Power Factor	0.00	0.69	0.79	0.84	Max. compression

	<u>Drive end</u>	<u>Non drive end</u>
Bearing type :	6309 Z C3	6209 Z C3
Sealing :	Without Bearing Seal	Without Bearing Seal
Lubrication interval :	20000 h	20000 h
Lubricant amount :	13 g	9 g
Lubricant type :	Mobil Polyrex EM	

Notes  
 downloaded from <http://dealerselectric.com>

This revision replaces and cancel the previous one, which must be eliminated.  
 (1) Looking the motor from the shaft end.  
 (2) Measured at 1m and with tolerance of +3dB(A).  
 (3) Approximate weight subject to changes after manufacturing process.  
 (4) At 100% of full load.

These are average values based on tests with sinusoidal power supply, subject to the tolerances stipulated in NEMA MG-1.

Rev.	Changes Summary	Performed	Checked	Date
Performed by			Page	Revision
Checked by				
Date				

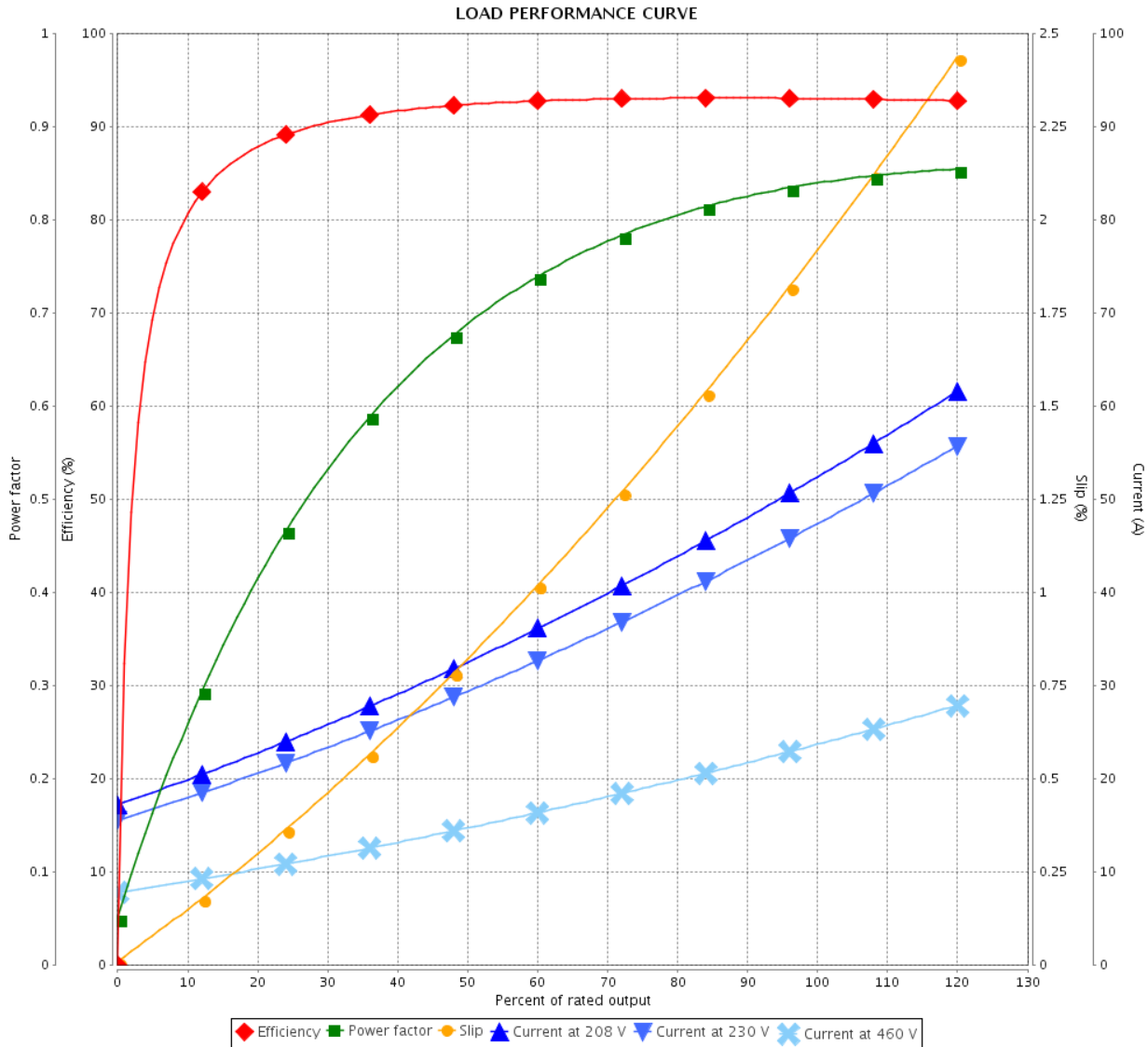
# LOAD PERFORMANCE CURVE

## Three Phase Induction Motor - Squirrel Cage



Customer : Dealers Industrial Equipment 800-469-3110  
 Customer reference : 02018OT3ECD256T-W40

Product line : W40 NEMA Premium Efficiency Three-Phase      Product code : 14599227  
 Catalog # : 02018OT3ECD256T-W40



Performance : 208-230/460 V 60 Hz 4P

Rated current : 53.3-48.2/24.1 A	Moment of inertia (J)
LRC : 6.4	Duty cycle : Cont.(S1)
Rated torque : 58.7 ft.lb	Insulation class : F
Locked rotor torque : 220 %	Service factor : 1.25
Breakdown torque : 280 %	Temperature rise : 80 K
Rated speed : 1765 rpm	Design : B

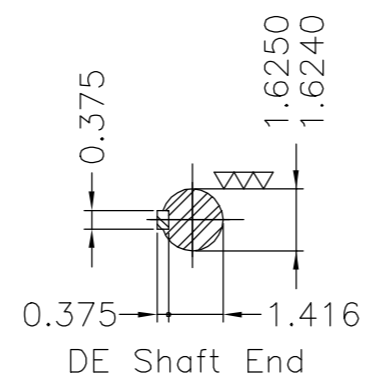
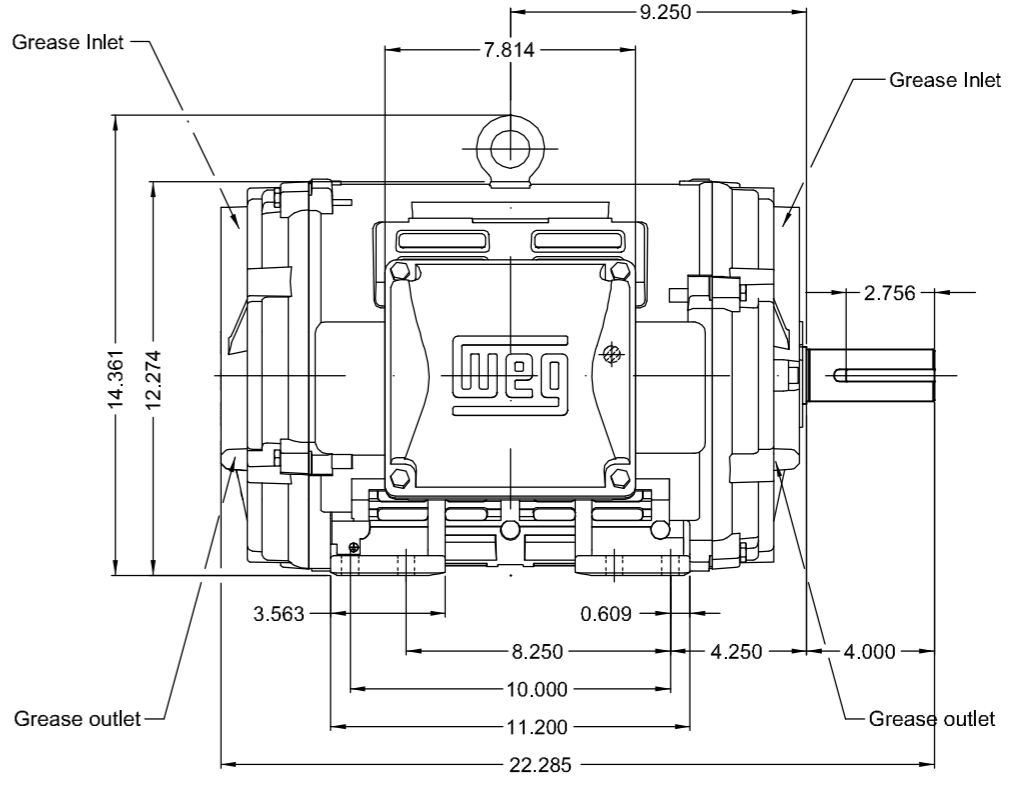
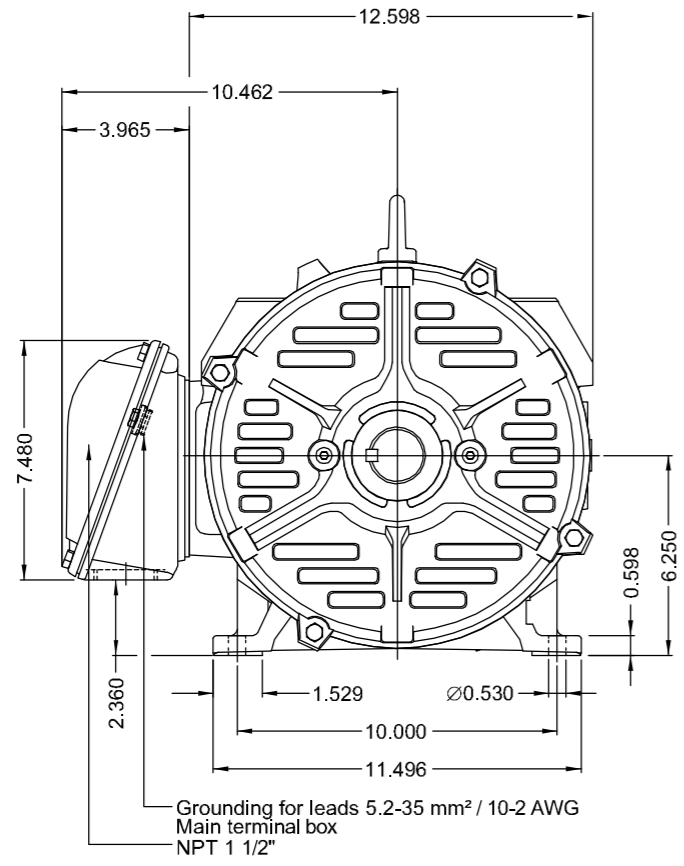
Rev.	Changes Summary	Performed	Checked	Date
Performed by			Page	Revision
Checked by				
Date				

EIXO/SHAFT	
PADRÃO/STANDARD	X
OPCIONAL/OPTIONAL	
ESPECIAL/SPECIAL	

Dimensões em polegada  
Dimensions in inches

THIS IS AN UPDATED REVISION, THE PREVIOUS ONE MUST BE DISREGARDED.

A  
B  
C  
D  
E



Cabos de ligação sem terminais / Connection cables without terminals						
Cabos de ligação numerados com etiqueta / Cables are labeled						
Cor Munsell N 1 preto fosco / Color Munsell N 1 matte black						
Plano de pintura 203A / Painting plan 203A						
Forma construtiva NEMA F-1 / Mounting NEMA F-1						
Forma construtiva B3D / Mounting B3R(D)						
<b>WEG ELECTRIC CORPORATION - WEC</b>						
						ESC / SCALE
500001500334	DOCUMENTO NOVO			JEAN2	WILLIANR	WILLIANR
ECM	LOC	RESUMO MODIFICAÇÃO		EXECUTADO	VERIFICADO	LIBERADO
ECM	LOC	SUMMARY OF MODIFICATIONS		EXECUTED	CHECKED	RELEASED
EXEC. /EXECUTED	JEAN2		THREE PHASE W40 MOTOR NEMA PREMIUM EFF		10006039679	
VERIF. /CHECKED	WILLIANR		FRAME 254/6T IP23 ODP		000   00	
LIBER. /RELEASED	WILLIANR					
DATA LB /REL DT	10.09.2018	WMO	Jaraguá do Sul	Product Engineering	FOLHA/SHEET	1 / 1

25 HP	02 Poles	60Hz	415187515/0	ELET/MEC	B
20 HP	04 Poles	60Hz	415187515/0	ELET/MEC	A



UNCONTROLLED COPY  
RELEASED  
ZME A3