

DATA SHEET



Three Phase Induction Motor - Squirrel Cage

| | | | |
|--|--|--|------------------------|
| Customer | : Dealers Industrial Equipment 800-469-3110 | | |
| Customer reference | : 01518OT3ECD254T-W40 | | |
| Product line | : W40 NEMA Premium Efficiency Three-Phase | Product code : | 14599224 |
| | | Catalog # : | 01518OT3ECD254T-W40 |
| Frame | : 254T | Locked rotor time | : 30s (cold) 17s (hot) |
| Output | : 15 HP (11 kW) | Temperature rise | : 80 K |
| Poles | : 4 | Duty cycle | : Cont.(S1) |
| Frequency | : 60 Hz | Ambient temperature | : -20°C to +40°C |
| Rated voltage | : 208-230/460 V | Altitude | : 1000 m.a.s.l. |
| Rated current | : 38.7-35.0/17.5 A | Protection degree | : IP23 |
| L. R. Amperes | : 248-224/112 A | Cooling method | : IC01 - ODP |
| LRC | : 6.4x(Code G) | Mounting | : F-1 |
| No load current | : 11.2-13.0/6.50 A | Rotation ¹ | : Both (CW and CCW) |
| Rated speed | : 1770 rpm | Noise level ² | : 62.0 dB(A) |
| Slip | : 1.67 % | Starting method | : Direct On Line |
| Rated torque | : 43.9 ft.lb | Approx. weight ³ | : 261 lb |
| Locked rotor torque | : 240 % | | |
| Breakdown torque | : 280 % | | |
| Insulation class | : F | | |
| Service factor | : 1.25 | | |
| Moment of inertia (J) | : 2.72 sq.ft.lb | | |
| Design | : B | | |
| Output | 50% | 75% | 100% |
| Efficiency (%) | 91.7 | 92.4 | 93.0 |
| Power Factor | 0.38 | 0.78 | 0.85 |
| | | Foundation loads | |
| | | Max. traction | |
| | | Max. compression | |
| | | <u>Drive end</u> | <u>Non drive end</u> |
| Bearing type | : | 6309 Z C3 | 6209 Z C3 |
| Sealing | : | Without Bearing Seal | Without Bearing Seal |
| Lubrication interval | : | 20000 h | 20000 h |
| Lubricant amount | : | 13 g | 9 g |
| Lubricant type | : | Mobil Polyrex EM | |
| Notes downloaded from http://dealerselectric.com | | | |
| This revision replaces and cancel the previous one, which must be eliminated. (1) Looking the motor from the shaft end. (2) Measured at 1m and with tolerance of +3dB(A). (3) Approximate weight subject to changes after manufacturing process. (4) At 100% of full load. | | These are average values based on tests with sinusoidal power supply, subject to the tolerances stipulated in NEMA MG-1. | |
| Rev. | Changes Summary | Performed | Checked |
| | | | |
| Performed by | | | |
| Checked by | | | |
| Date | 22/04/2019 | | |
| | | Page | Revision |
| | | 1 / 2 | |

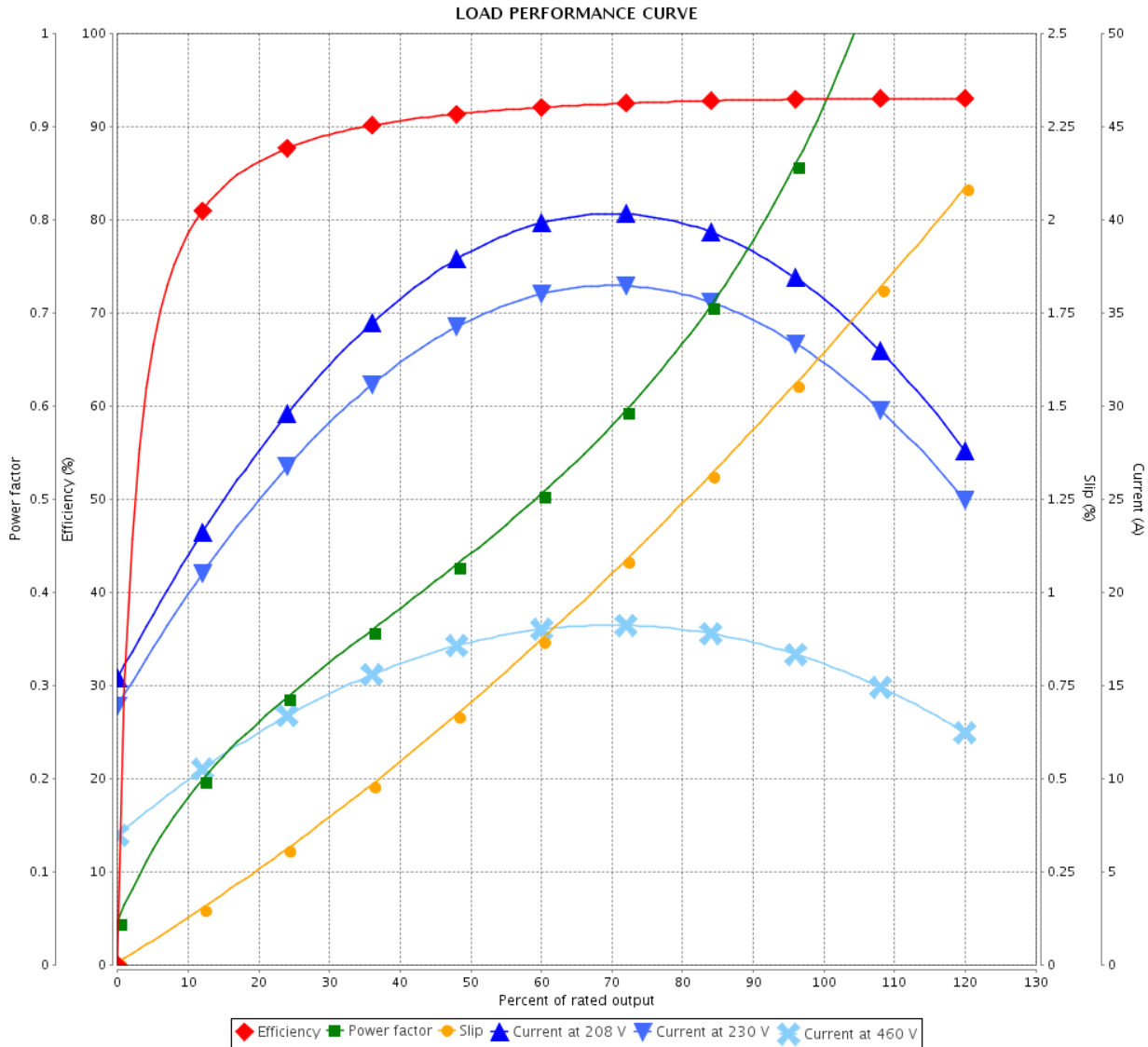
LOAD PERFORMANCE CURVE



Three Phase Induction Motor - Squirrel Cage

Customer : Dealers Industrial Equipment 800-469-3110
 Customer reference : 01518OT3ECD254T-W40

Product line : W40 NEMA Premium Efficiency Three-Phase Product code : 14599224
 Catalog # : 01518OT3ECD254T-W40



Performance : 208-230/460 V 60 Hz 4P

| | |
|----------------------------------|---------------------------------------|
| Rated current : 38.7-35.0/17.5 A | Moment of inertia (J) : 2.72 sq.ft.lb |
| LRC : 6.4 | Duty cycle : Cont.(S1) |
| Rated torque : 43.9 ft.lb | Insulation class : F |
| Locked rotor torque : 240 % | Service factor : 1.25 |
| Breakdown torque : 280 % | Temperature rise : 80 K |
| Rated speed : 1770 rpm | Design : B |

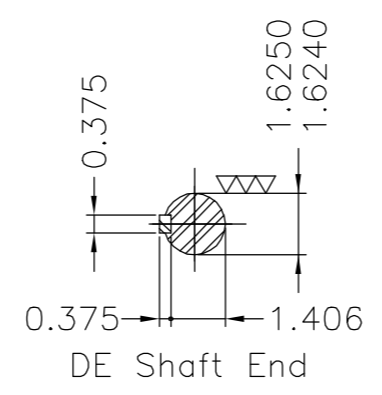
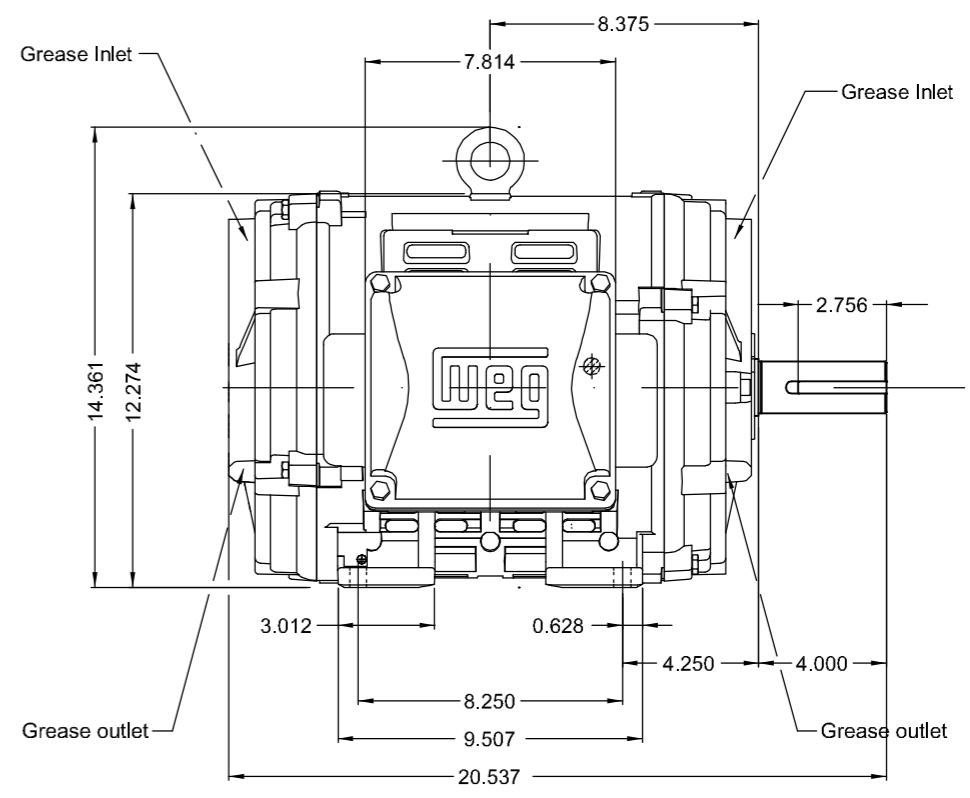
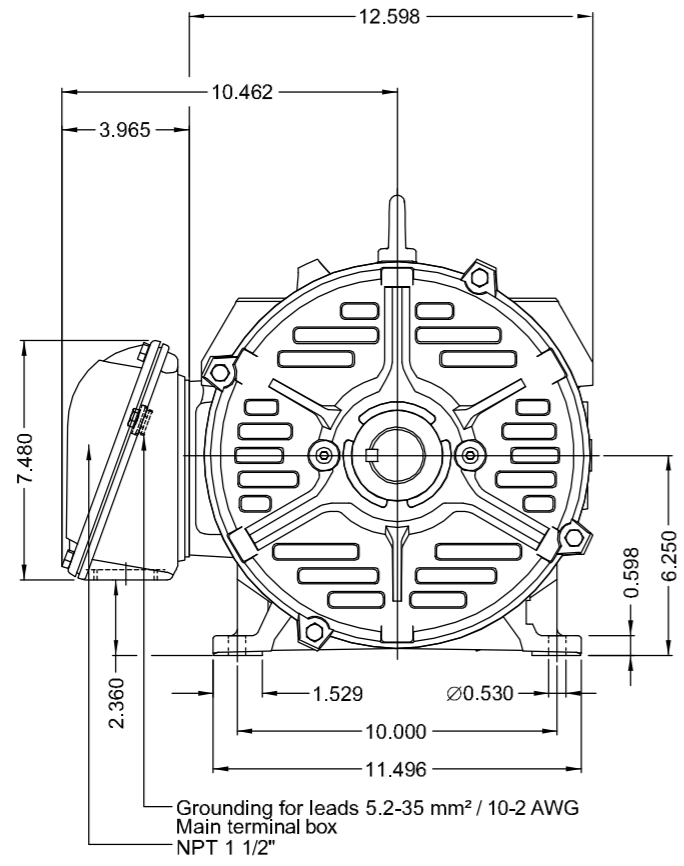
| Rev. | Changes Summary | Performed | Checked | Date |
|--------------|-----------------|-----------|---------------|----------|
| | | | | |
| Performed by | | | Page 2 / 2 | Revision |
| Checked by | | | | |
| Date | 22/04/2019 | | | |

| | |
|-------------------|---|
| EIXO/SHAFT | |
| PADRÃO/STANDARD | X |
| OPCIONAL/OPTIONAL | |
| ESPECIAL/SPECIAL | |

Dimensões em polegada
Dimensions in inches

THIS IS AN UPDATED REVISION, THE PREVIOUS ONE MUST BE DISREGARDED.

A
B
C
D
E



Cabos de ligação sem terminais / Connection cables without terminals
 Cabos de ligação numerados com etiqueta / Cables are labeled
 Cor Munsell N 1 preto fosco / Color Munsell N 1 matte black
 Plano de pintura 203A / Painting plan 203A
 Forma construtiva NEMA F-1 / Mounting NEMA F-1
 Forma construtiva B3D / Mounting B3R(D)

WEG ELECTRIC CORPORATION - WEC

| | | | | | SCALE | | | |
|--------------|------------|---|---------------------|----------|-------------|------------|-----|--|
| 500001505938 | | ALTERADO CONFORME DETALHAMENTO | AKLOSOWSKI | LUCASSZ | LUCASSZ | 24.09.2018 | 01 | |
| 500001500334 | | DOCUMENTO NOVO | JEAN2 | WILLIANR | WILLIANR | 10.09.2018 | 00 | |
| ECM | LOC | SUMMARY OF MODIFICATIONS | EXECUTED | CHECKED | RELEASED | DATE | VER | |
| EXECUTED | JEAN2 | THREE PHASE W40 MOTOR NEMA PREMIUM EFF FRAME 254T IP23 ODP | | | 10006039654 | | | |
| CHECKED | WILLIANR | | | | 000 01 | | | |
| RELEASED | WILLIANR | | | | | | | |
| REL DT | 10.09.2018 | WMO Jaragua do Sul | Product Engineering | | SHEET 1 / 1 | | | |

| | | | | | |
|-------|----------|------|-------------|----------|---|
| 20 HP | 02 Poles | 60Hz | 415187510/0 | ELET/MEC | B |
| 15 HP | 04 Poles | 60Hz | 415187510/0 | ELET/MEC | A |

UNCONTROLLED COPY
RELEASED
ZME A3