

DATA SHEET



Single Phase Induction Motor - Squirrel Cage

Customer	: Dealers Industrial Equipment 800-469-3110					
Customer reference	: .2518OS1ASPRB48Z-S					
Product line	: Rolled Steel 00021 Single-Phase Split Phase	Product code :	14590197			
		Catalog # :	.2518OS1ASPRB48Z-S			
Frame	: 48Z	Locked rotor time	: 0s (cold) 0s (hot)			
Output	: 0.25 HP (0.18 kW)	Temperature rise	: 80 K			
Poles	: 4	Duty cycle	: Cont.(S1)			
Frequency	: 60 Hz	Ambient temperature	: -20°C to +40°C			
Rated voltage	: 115 V	Altitude	: 1000 m.a.s.l.			
Rated current	: 4.25 A	Cooling method	: IC01 - ODP			
L. R. Amperes	: 25.5 A	Mounting	: F-1			
LRC	: 6.0x(Code N)	Rotation ¹	: Both (CW and CCW)			
No load current	: 4.00 A	Starting method	: Direct On Line			
Rated speed	: 1710 rpm	Approx. weight ³	: 22.0 lb			
Slip	: 5.00 %					
Rated torque	: 0.757 ft.lb					
Locked rotor torque	: 150 %					
Breakdown torque	: 220 %					
Insulation class	: F					
Service factor	: 1.35					
Moment of inertia (J)	: N					
Design						
Output	50%	75%	100%	Foundation loads		
Efficiency (%)	42.0	51.0	55.0	Max. traction : 7 lb		
Power Factor	0.49	0.59	0.67	Max. compression : 29 lb		
		<u>Drive end</u>		<u>Non drive end</u>		
Bearing type	:	6203 ZZ		6202 ZZ		
Sealing	:	Without Bearing Seal		Without Bearing Seal		
Lubrication interval	:	-		-		
Lubricant amount	:	-		-		
Lubricant type	:	Mobil Polyrex EM				
Notes downloaded from http://dealerselectric.com						
This revision replaces and cancel the previous one, which must be eliminated. (1) Looking the motor from the shaft end. (2) Measured at 1m and with tolerance of +3dB(A). (3) Approximate weight subject to changes after manufacturing process. (4) At 100% of full load.			These are average values based on tests with sinusoidal power supply, subject to the tolerances stipulated in NEMA MG-1.			
Rev.	Changes Summary			Performed	Checked	Date
Performed by						
Checked by					Page	Revision
Date	05/04/2019				1 / 2	

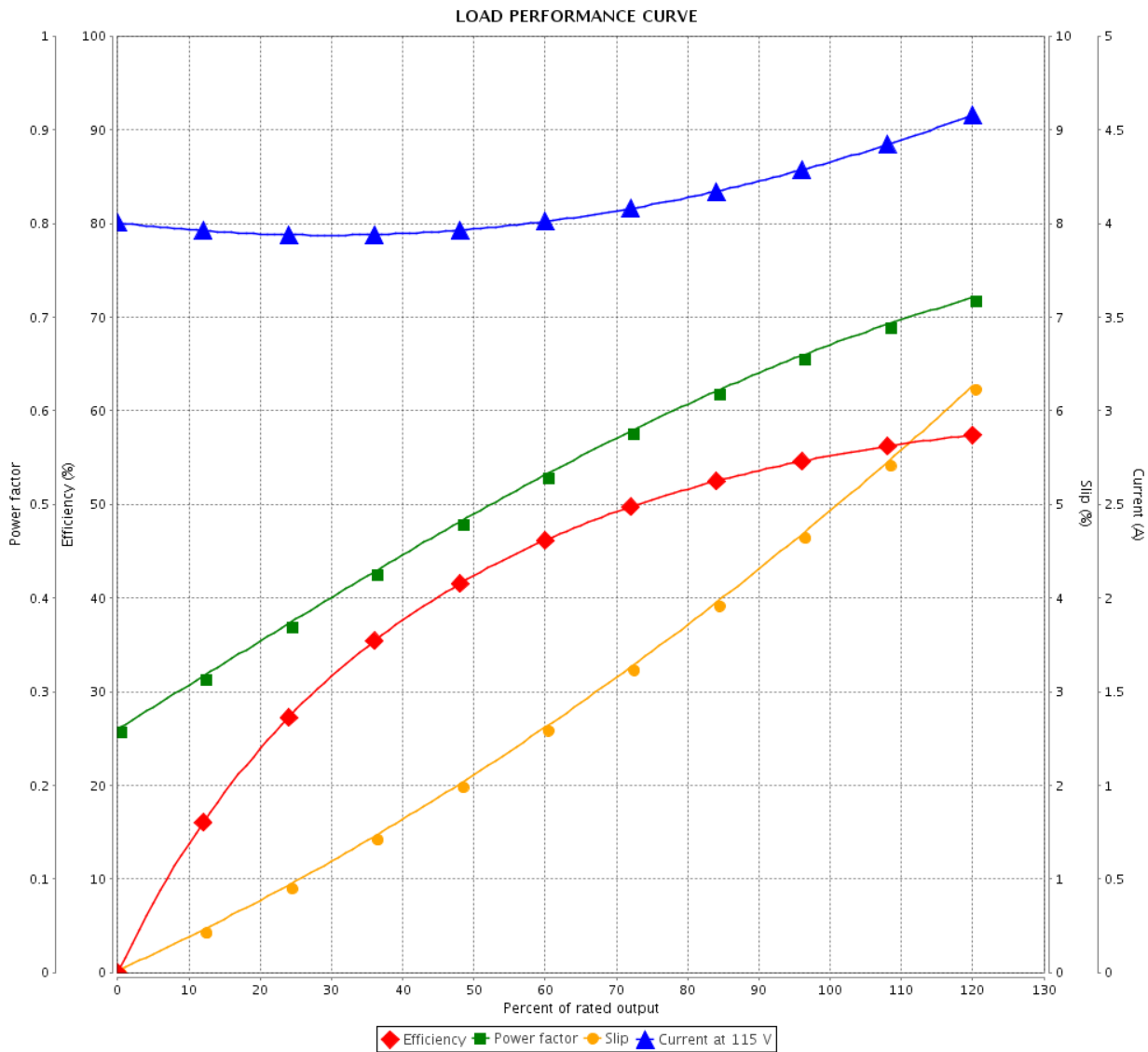
LOAD PERFORMANCE CURVE



Single Phase Induction Motor - Squirrel Cage

Customer : Dealers Industrial Equipment 800-469-3110
 Customer reference : .2518OS1ASPRB48Z-S

Product line : Rolled Steel 00021 Single-Phase Split Phase Product code : 14590197
 Catalog # : .2518OS1ASPRB48Z-S



Performance : 115 V 60 Hz 4P

Rated current : 4.25 A	Moment of inertia (J)
LRC : 6.0	Duty cycle : Cont.(S1)
Rated torque : 0.757 ft.lb	Insulation class : F
Locked rotor torque : 150 %	Service factor : 1.35
Breakdown torque : 220 %	Temperature rise : 80 K
Rated speed : 1710 rpm	Design : N

Rev.	Changes Summary	Performed	Checked	Date
Performed by			Page	Revision
Checked by				
Date				

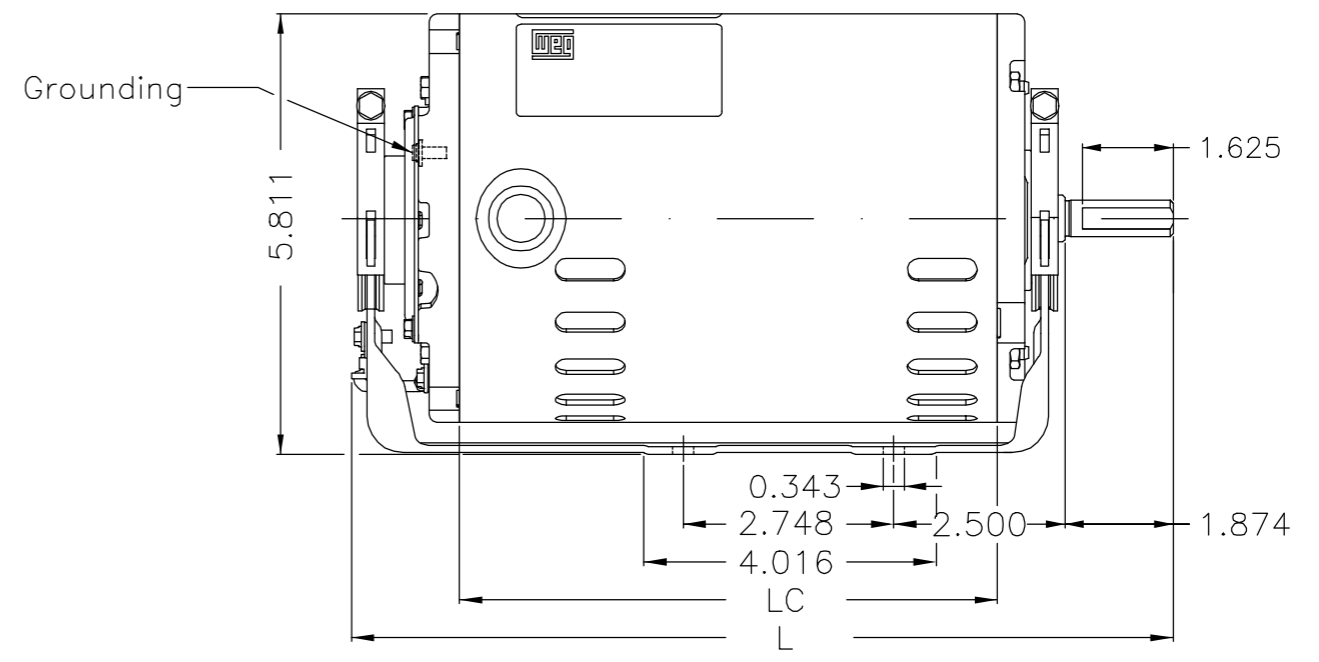
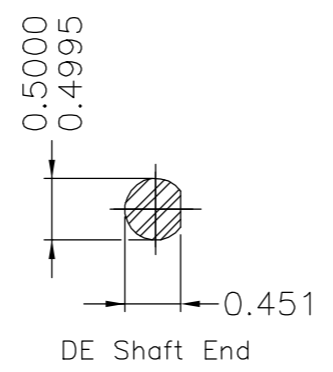
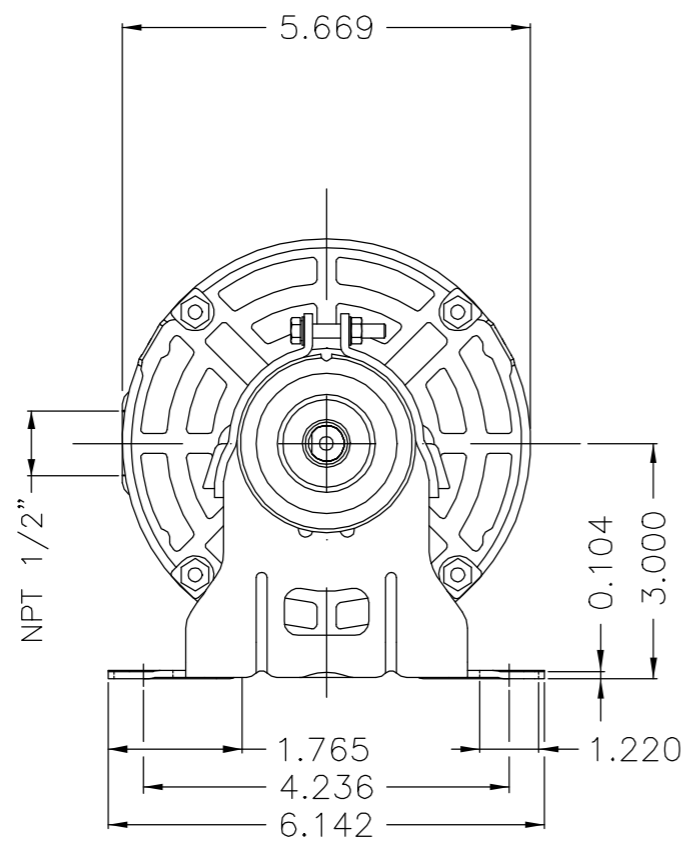
EJE/SHAFT	
ESTÁNDAR/STANDARD	
OPCIONAL/OPTIONAL	
ESPECIAL/SPECIAL	X

Dimensões em polegada
Dimensions in inches

PRELIMINARY DOCUMENT
Not to be used for installation purposes.

THIS IS AN UPDATED REVISION, THE PREVIOUS ONE MUST BE DISREGARDED.

A
B
C
D
E



Ambos sentidos de rotacion / Rotation CW and CCW

Forma constructiva F-1/B3R(D) / Mounting F-1/B3R(D)

WEG ELECTRIC CORPORATION - WEC

500001487405	NEW DOCUMENT	ALDOV	CESTRELLA	CESTRELLA	08.08.2018	00			
ECM	LOC	SUMMARY OF MODIFICATIONS			EXECUTED	CHECKED	RELEASED	DATE	VER
EXECUTED	ALDOV	SINGLE PHASE MOTOR OPEN ROLLED STEEL		10005966302					
CHECKED	CESTRELLA	FRAME 48Z ODP		000 00					
RELEASED	CESTRELLA								
REL DT	08.08.2018	WMX	Huehuetoca	Product Engineering	SHEET	1 / 1			

						LC	L	
0.5	HP	04 Poles	60Hz	415155343	115/208-230 V	6.693	10.925	D
0.25	HP	04 Poles	60Hz	415155401	115 V	5.905	10.137	C
0.16	HP	04 Poles	60Hz	415155346	115 V	5.905	10.137	B
0.33	HP	04 Poles	60Hz	415155304	115/208-230 V	5.905	10.137	A

UNCONTROLLED COPY

RELEASED

ZME A3

