



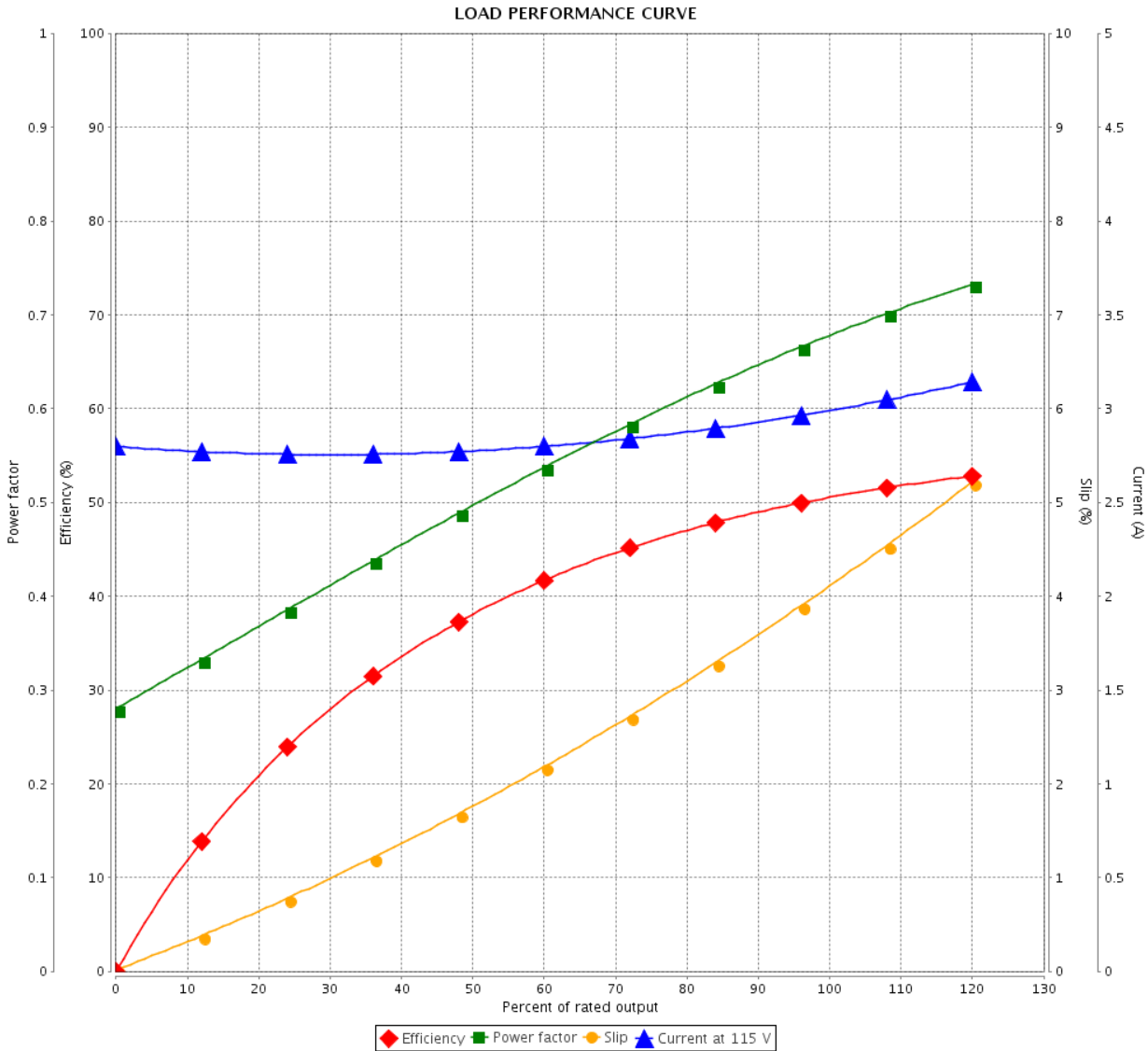
# LOAD PERFORMANCE CURVE

## Single Phase Induction Motor - Squirrel Cage



Customer : Dealers Industrial Equipment 800-469-3110  
 Customer reference : .1618OS1ASPRB48Z-S

Product line : Rolled Steel 00021 Single-Phase Split Phase      Product code : 14590196  
 Catalog # : .1618OS1ASPRB48Z-S



Performance : 115 V 60 Hz 4P

Rated current : 3.04 A	Moment of inertia (J)
LRC : 6.2	Duty cycle : Cont.(S1)
Rated torque : 0.481 ft.lb	Insulation class : F
Locked rotor torque : 130 %	Service factor : 1.35
Breakdown torque : 270 %	Temperature rise : 80 K
Rated speed : 1725 rpm	Design : N

Rev.	Changes Summary	Performed	Checked	Date
Performed by			Page	Revision
Checked by			2 / 2	
Date	05/04/2019			

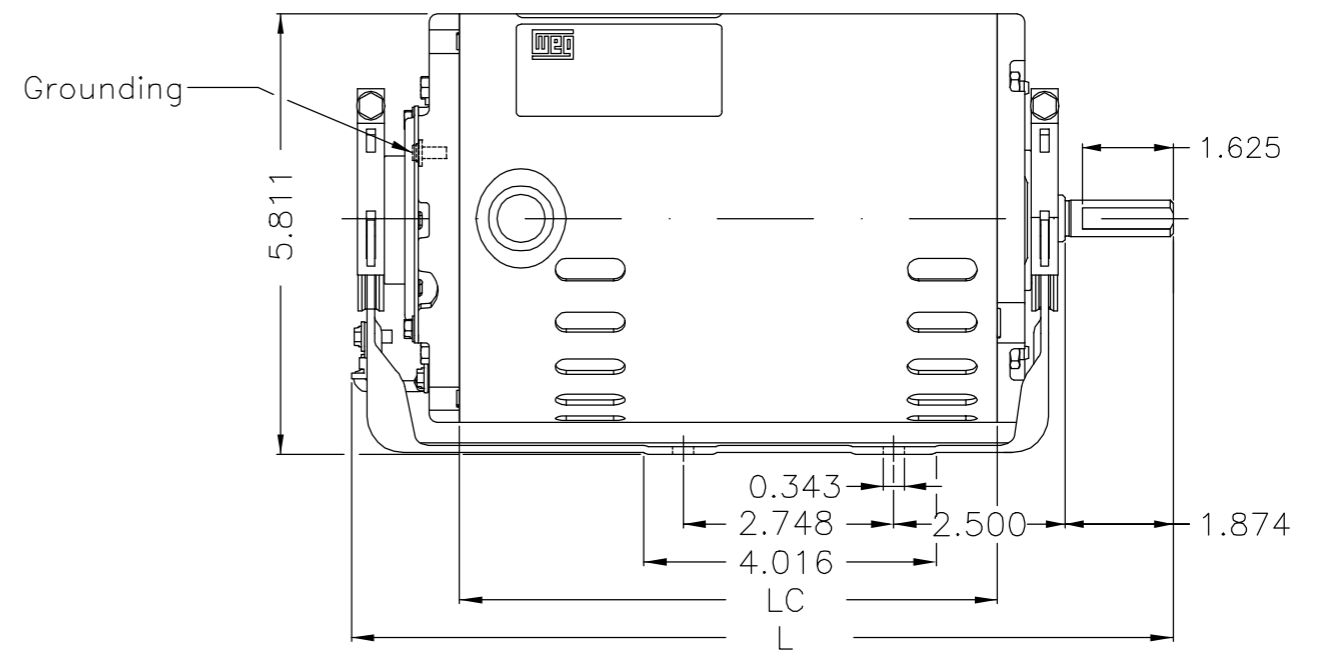
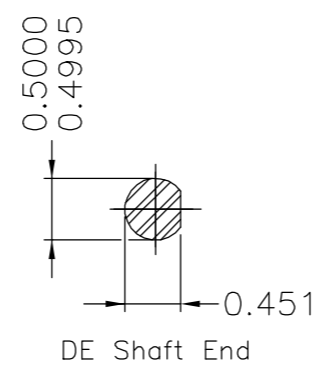
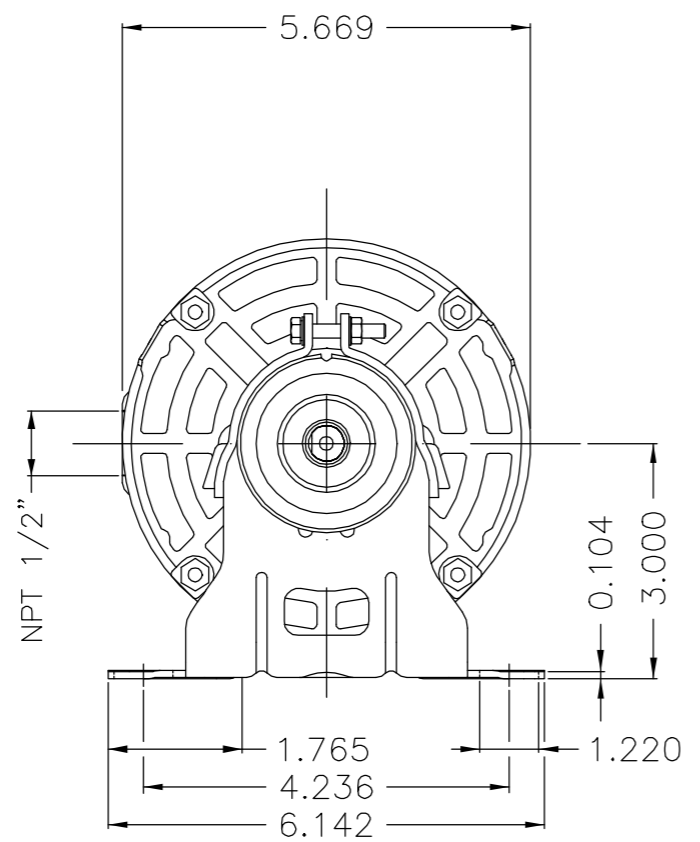
EJE/SHAFT	
ESTÁNDAR/STANDARD	
OPCIONAL/OPTIONAL	
ESPECIAL/SPECIAL	X

Dimensões em polegada  
Dimensions in inches

**PRELIMINARY DOCUMENT**  
Not to be used for installation purposes.

THIS IS AN UPDATED REVISION, THE PREVIOUS ONE MUST BE DISREGARDED.

A  
B  
C  
D  
E



Ambos sentidos de rotacion / Rotation CW and CCW

Forma constructiva F-1/B3R(D) / Mounting F-1/B3R(D)

**WEG ELECTRIC CORPORATION - WEC**

500001487405	NEW DOCUMENT	ALDOV	CESTRELLA	CESTRELLA	08.08.2018	00			
ECM	LOC	SUMMARY OF MODIFICATIONS			EXECUTED	CHECKED	RELEASED	DATE	VER
EXECUTED	ALDOV	SINGLE PHASE MOTOR OPEN ROLLED STEEL		10005966302					
CHECKED	CESTRELLA	FRAME 48Z ODP		000   00					
RELEASED	CESTRELLA								
REL DT	08.08.2018	WMX	Huehuetoca	Product Engineering	SHEET	1 / 1			

						LC	L	
0.5	HP	04 Poles	60Hz	415155343	115/208-230 V	6.693	10.925	D
0.25	HP	04 Poles	60Hz	415155401	115 V	5.905	10.137	C
0.16	HP	04 Poles	60Hz	415155346	115 V	5.905	10.137	B
0.33	HP	04 Poles	60Hz	415155304	115/208-230 V	5.905	10.137	A

