

DATA SHEET



Three Phase Induction Motor - Squirrel Cage

Customer : Dealers Industrial Equipment 800-469-3110		Customer reference : 04036OT3E286TS-W40G				
Product line : W40 NEMA Premium Efficiency Three-Phase		Product code : 14504083	Catalog # : 04036OT3E286TS-W40G			
Frame : 284/6TS Output : 40 HP (30 kW) Poles : 2 Frequency : 60 Hz Rated voltage : 208-230/460 V Rated current : 104-93.6/46.8 A L. R. Amperes : 673-608/304 A LRC : 6.5x(Code G) No load current : 25.7-29.8/14.9 A Rated speed : 3540 rpm Slip : 1.67 % Rated torque : 58.5 ft.lb Locked rotor torque : 190 % Breakdown torque : 260 % Insulation class : F Service factor : 1.25 Moment of inertia (J) : 2.02 sq.ft.lb Design : B	Locked rotor time : 14s (cold) 8s (hot) Temperature rise : 80 K Duty cycle : Cont.(S1) Ambient temperature : -20°C to +40°C Altitude : 1000 m.a.s.l. Protection degree : IP23 Cooling method : IC01 - ODP Mounting : F-1 Rotation ¹ : Both (CW and CCW) Noise level ² : 73.0 dB(A) Starting method : Direct On Line Approx. weight ³ : 347 lb					
Output	25%	50%	75%	100%	Foundation loads	
Efficiency (%)	91.5	91.7	92.4	92.4	Max. traction	
Power Factor	0.51	0.76	0.84	0.87	Max. compression	
Bearing type : <u>Drive end</u> 6311 Z C3 <u>Non drive end</u> 6211 Z C3 Sealing : Without Bearing Seal Without Bearing Seal Lubrication interval : 20000 h 20000 h Lubricant amount : 18 g 11 g Lubricant type : Mobil Polyrex EM						
Notes downloaded from http://dealerselectric.com						
This revision replaces and cancel the previous one, which must be eliminated. (1) Looking the motor from the shaft end. (2) Measured at 1m and with tolerance of +3dB(A). (3) Approximate weight subject to changes after manufacturing process. (4) At 100% of full load.			These are average values based on tests with sinusoidal power supply, subject to the tolerances stipulated in NEMA MG-1.			
Rev.	Changes Summary			Performed	Checked	Date
Performed by						
Checked by					Page	Revision
Date	14/04/2019				1 / 2	

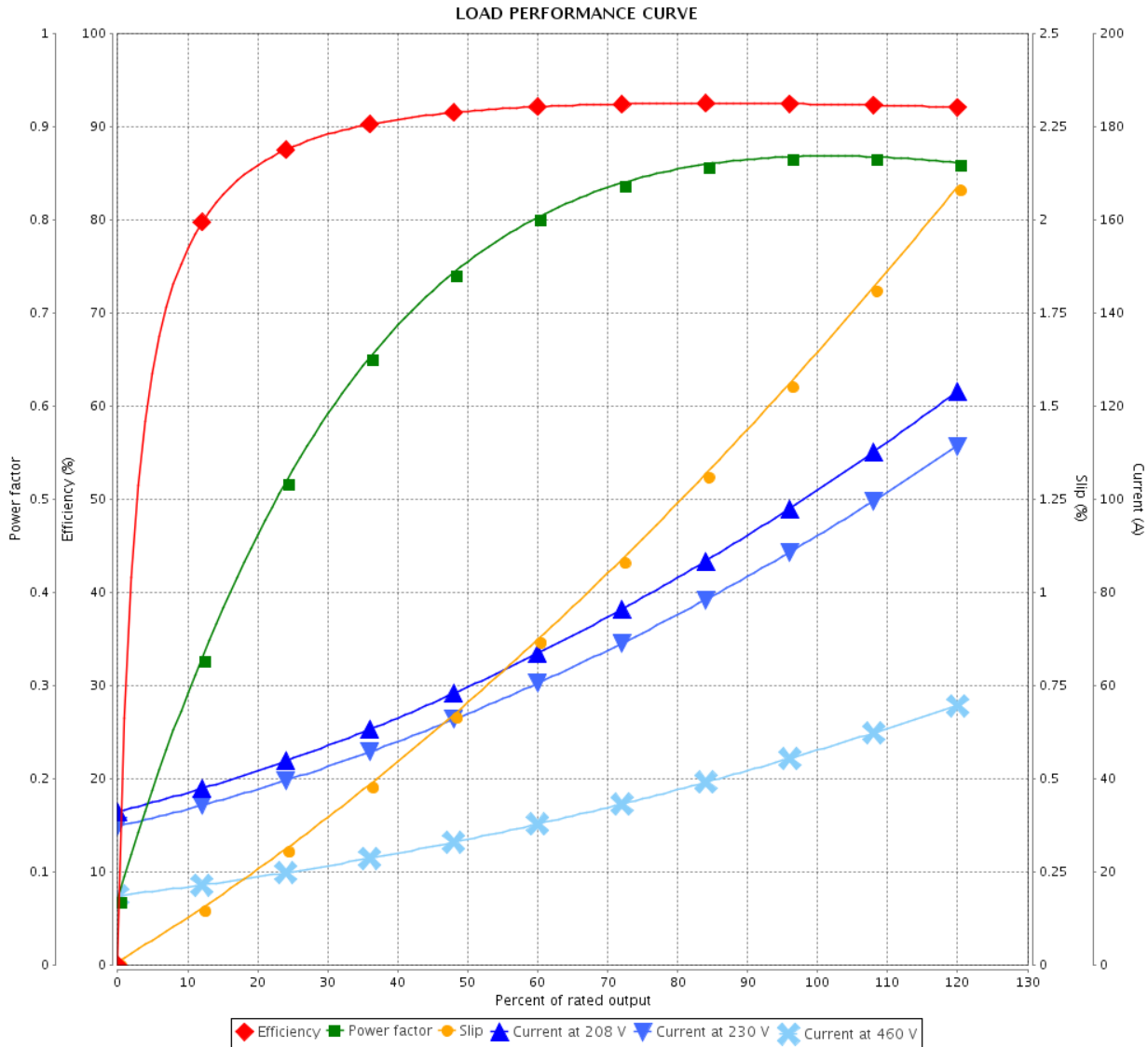
LOAD PERFORMANCE CURVE



Three Phase Induction Motor - Squirrel Cage

Customer : Dealers Industrial Equipment 800-469-3110
 Customer reference : 04036OT3E286TS-W40G

Product line : W40 NEMA Premium Efficiency Three-Phase Product code : 14504083
 Catalog # : 04036OT3E286TS-W40G



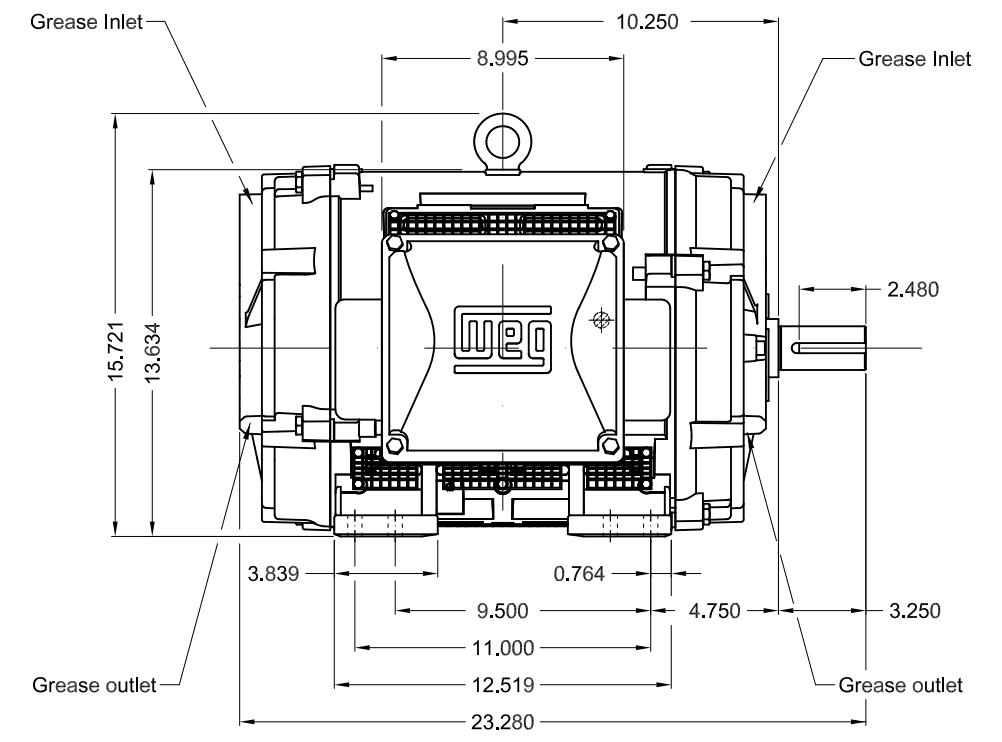
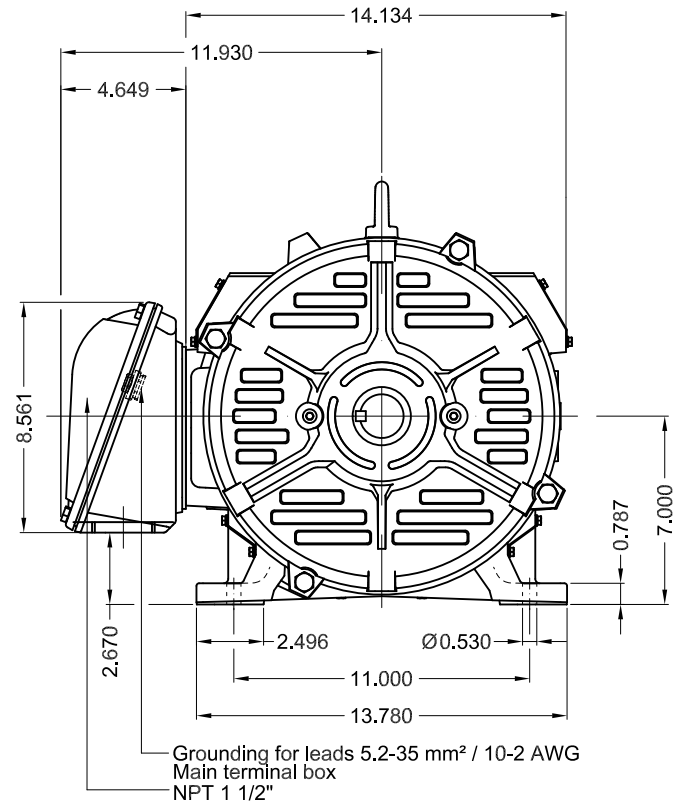
Performance : 208-230/460 V 60 Hz 2P

Rated current : 104-93.6/46.8 A	Moment of inertia (J) : 2.02 sq.ft.lb
LRC : 6.5	Duty cycle : Cont.(S1)
Rated torque : 58.5 ft.lb	Insulation class : F
Locked rotor torque : 190 %	Service factor : 1.25
Breakdown torque : 260 %	Temperature rise : 80 K
Rated speed : 3540 rpm	Design : B

Rev.	Changes Summary	Performed	Checked	Date
Performed by			Page	Revision
Checked by				
Date				

Dimensões em polegada
Dimensions in inches

THIS IS AN UPDATED REVISION, THE
PREVIOUS ONE MUST BE DISREGARDED.



Internal AEGIS ground ring on the DE									
Bearing cap									
Color RAL 5009									
Painting plan 203A									
Mounting B3R(D)									
					SCALE	1:7			
ECM	LOC	SUMMARY OF MODIFICATIONS			EXECUTED	CHECKED	RELEASED	DATE	VER
EXECUTED	USERADMIN	THREE PHASE W40 MOTOR NEMA PREMIUM EFF							
CHECKED		FRAME 284/6TS IP23 ODP							
RELEASED		WEG code: 14504083							
REL DT	14.04.2019	WMO	Jaragua do Sul	Product Engineering	SHEET	1 / 1			

40 HP 02 Poles 60Hz

A

