

DATA SHEET



Three Phase Induction Motor - Squirrel Cage

Customer : Dealers Industrial Equipment 800-469-3110		Customer reference : 04036OT3E286TSC-W40G				
Product line : W40 NEMA Premium Efficiency Three-Phase		Product code : 14504017	Catalog # : 04036OT3E286TSC-W40G			
Frame : 284/6TSC	Locked rotor time : 14s (cold) 8s (hot)	Output : 40 HP (30 kW)	Temperature rise : 80 K			
Poles : 2	Duty cycle : Cont.(S1)	Frequency : 60 Hz	Ambient temperature : -20°C to +40°C			
Rated voltage : 208-230/460 V	Altitude : 1000 m.a.s.l.	Rated current : 104-93.6/46.8 A	Protection degree : IP23			
L. R. Amperes : 673-608/304 A	Cooling method : IC01 - ODP	LRC : 6.5x(Code G)	Mounting : F-1			
No load current : 25.7-29.8/14.9 A	Rotation ¹ : Both (CW and CCW)	Rated speed : 3540 rpm	Noise level ² : 73.0 dB(A)			
Slip : 1.67 %	Starting method : Direct On Line	Rated torque : 58.5 ft.lb	Approx. weight ³ : 370 lb			
Locked rotor torque : 190 %		Breakdown torque : 260 %				
Insulation class : F		Insulation class : F				
Service factor : 1.25		Moment of inertia (J) : 2.02 sq.ft.lb				
Design : B		Design : B				
Output	25%	50%	75%	100%	Foundation loads	
Efficiency (%)	91.5	91.7	92.4	92.4	Max. traction	
Power Factor	0.51	0.76	0.84	0.87	Max. compression	
		<u>Drive end</u>		<u>Non drive end</u>		
Bearing type	:	6311 Z C3		6211 Z C3		
Sealing	:	Without Bearing Seal		Without Bearing Seal		
Lubrication interval	:	20000 h		20000 h		
Lubricant amount	:	18 g		11 g		
Lubricant type	:	Mobil Polyrex EM				
Notes downloaded from http://dealerselectric.com						
This revision replaces and cancel the previous one, which must be eliminated. (1) Looking the motor from the shaft end. (2) Measured at 1m and with tolerance of +3dB(A). (3) Approximate weight subject to changes after manufacturing process. (4) At 100% of full load.			These are average values based on tests with sinusoidal power supply, subject to the tolerances stipulated in NEMA MG-1.			
Rev.	Changes Summary			Performed	Checked	Date
Performed by						
Checked by					Page	Revision
Date	14/04/2019				1 / 2	

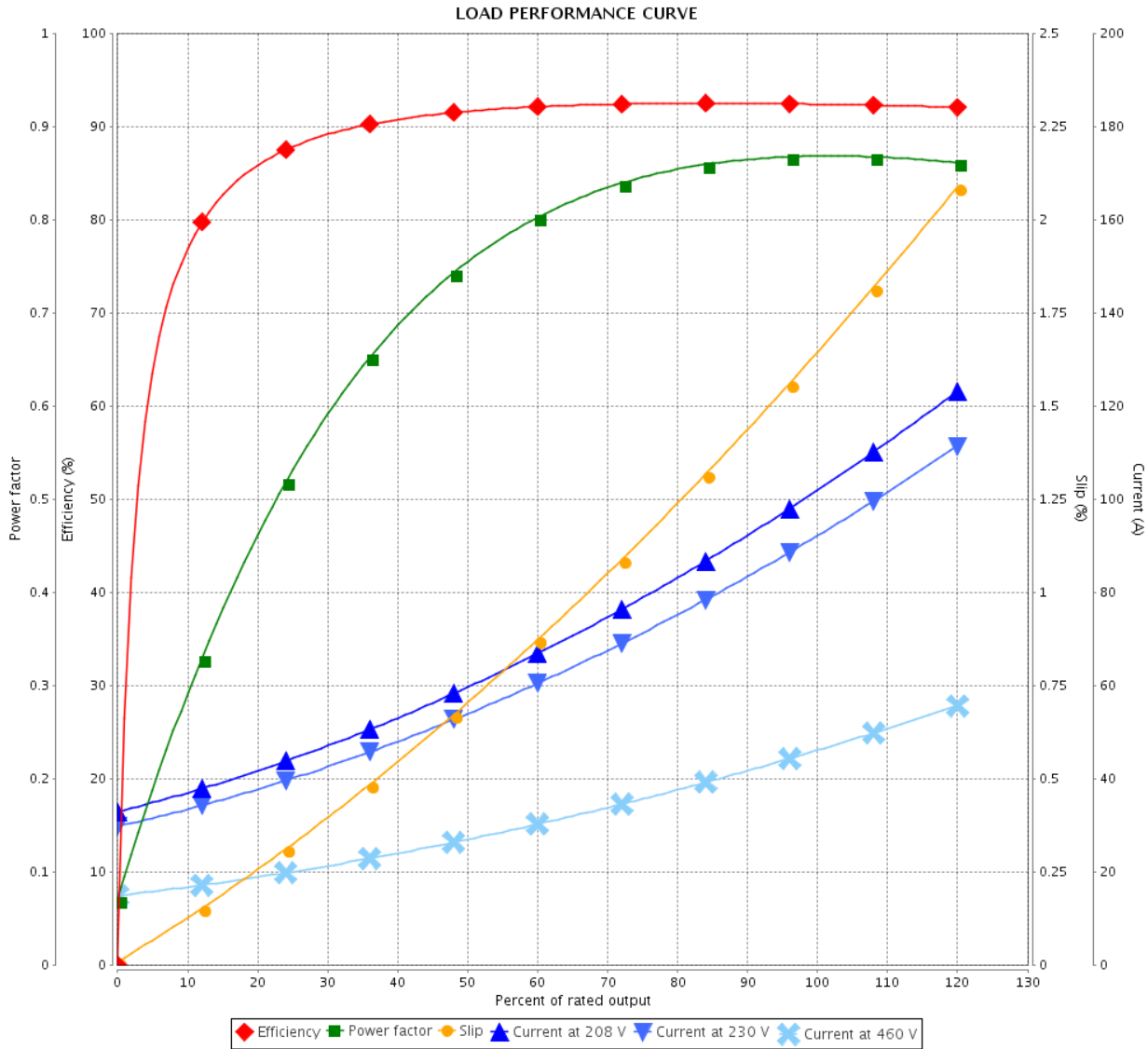
LOAD PERFORMANCE CURVE



Three Phase Induction Motor - Squirrel Cage

Customer : Dealers Industrial Equipment 800-469-3110
 Customer reference : 04036OT3E286TSC-W40G

Product line : W40 NEMA Premium Efficiency Three-Phase Product code : 14504017
 Catalog # : 04036OT3E286TSC-W40G



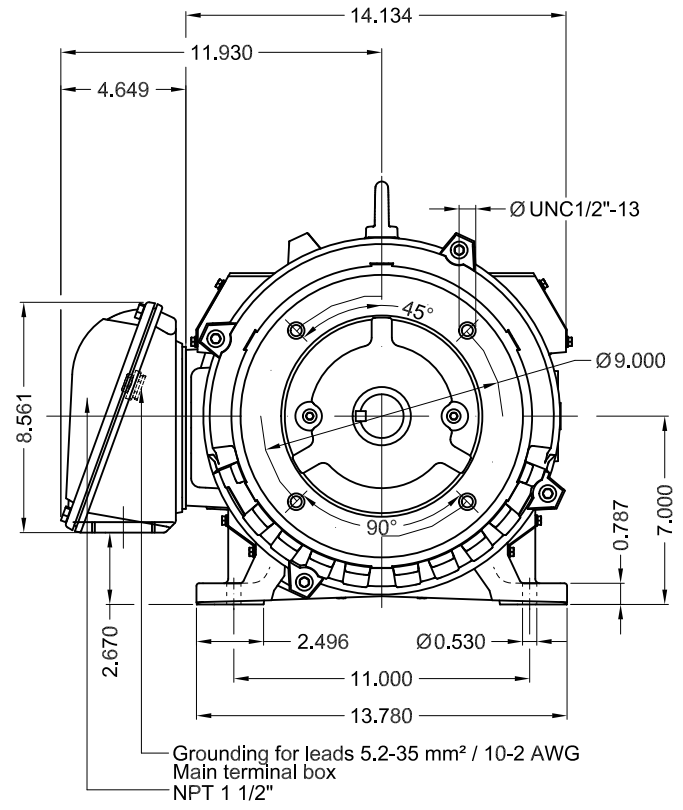
Performance : 208-230/460 V 60 Hz 2P

Rated current : 104-93.6/46.8 A	Moment of inertia (J) : 2.02 sq.ft.lb
LRC : 6.5	Duty cycle : Cont.(S1)
Rated torque : 58.5 ft.lb	Insulation class : F
Locked rotor torque : 190 %	Service factor : 1.25
Breakdown torque : 260 %	Temperature rise : 80 K
Rated speed : 3540 rpm	Design : B

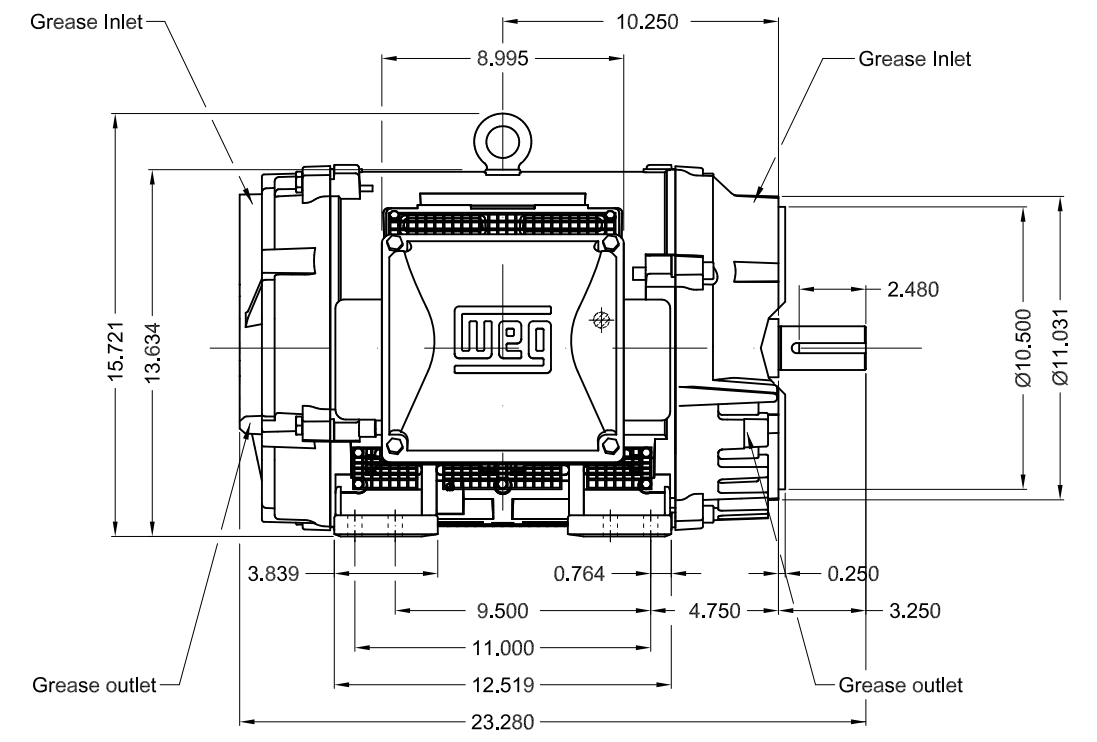
Rev.	Changes Summary	Performed	Checked	Date
Performed by			Page 2 / 2	Revision
Checked by				
Date	14/04/2019			

Dimensões em polegada
Dimensions in inches

THIS IS AN UPDATED REVISION, THE
PREVIOUS ONE MUST BE DISREGARDED.



Grounding for leads 5.2-35 mm² / 10-2 AWG
Main terminal box
NPT 1 1/2"



Internal AEGIS ground ring on the DE
Bearing cap
Color RAL 5009
Painting plan 203A
Mounting B34R(D)

SCALE 1:7

ECM	LOC	SUMMARY OF MODIFICATIONS	EXECUTED	CHECKED	RELEASED	DATE	VER
EXECUTED	USERADMIN	THREE PHASE W40 MOTOR NEMA PREMIUM EFF					
CHECKED		FRAME 284/6TSC IP23 ODP					
RELEASED		WEG code: 14504017					
REL DT	14.04.2019	WMO Jaragua do Sul	Product Engineering	SHEET	1 / 1		

40 HP 02 Poles 60Hz

A

