

# DATA SHEET



## Three Phase Induction Motor - Squirrel Cage

Customer	: Dealers Industrial Equipment 800-469-3110				
Customer reference	: 03018OT3V286T-W40G				
Product line	: W40 NEMA Premium Efficiency Three-Phase		Product code :	14503868	
			Catalog # :	03018OT3V286T-W40G	
Frame	: 284/6T		Locked rotor time	: 32s (cold) 18s (hot)	
Output	: 30 HP (22 kW)		Temperature rise	: 80 K	
Poles	: 4		Duty cycle	: Cont.(S1)	
Frequency	: 60 Hz		Ambient temperature	: -20°C to +40°C	
Rated voltage	: 200/400 V		Altitude	: 1000 m.a.s.l.	
Rated current	: 80.3/40.1 A		Protection degree	: IP23	
L. R. Amperes	: 530/265 A		Cooling method	: IC01 - ODP	
LRC	: 6.6x(Code G)		Mounting	: F-1	
No load current	: 33.3/16.7 A		Rotation <sup>1</sup>	: Both (CW and CCW)	
Rated speed	: 1770 rpm		Noise level <sup>2</sup>	: 64.0 dB(A)	
Slip	: 1.67 %		Starting method	: Direct On Line	
Rated torque	: 87.8 ft.lb		Approx. weight <sup>3</sup>	: 421 lb	
Locked rotor torque	: 280 %				
Breakdown torque	: 280 %				
Insulation class	: F				
Service factor	: 1.25				
Moment of inertia (J)	: 4.52 sq.ft.lb				
Design	: B				
Output	25%	50%	75%	100%	
Efficiency (%)	93.4	93.6	94.1	94.1	
Power Factor	0.44	0.70	0.80	0.84	
	Foundation loads				
	Max. traction				
	Max. compression				
	<u>Drive end</u>		<u>Non drive end</u>		
Bearing type	: 6311 Z C3		6211 Z C3		
Sealing	: Without Bearing Seal		Without Bearing Seal		
Lubrication interval	: 20000 h		20000 h		
Lubricant amount	: 18 g		11 g		
Lubricant type	: Mobil Polyrex EM				
Notes downloaded from <a href="http://dealerselectric.com">http://dealerselectric.com</a>					
This revision replaces and cancel the previous one, which must be eliminated. (1) Looking the motor from the shaft end. (2) Measured at 1m and with tolerance of +3dB(A). (3) Approximate weight subject to changes after manufacturing process. (4) At 100% of full load.			These are average values based on tests with sinusoidal power supply, subject to the tolerances stipulated in NEMA MG-1.		
Rev.	Changes Summary		Performed	Checked	Date
Performed by					
Checked by				Page	Revision
Date	14/04/2019			1 / 2	

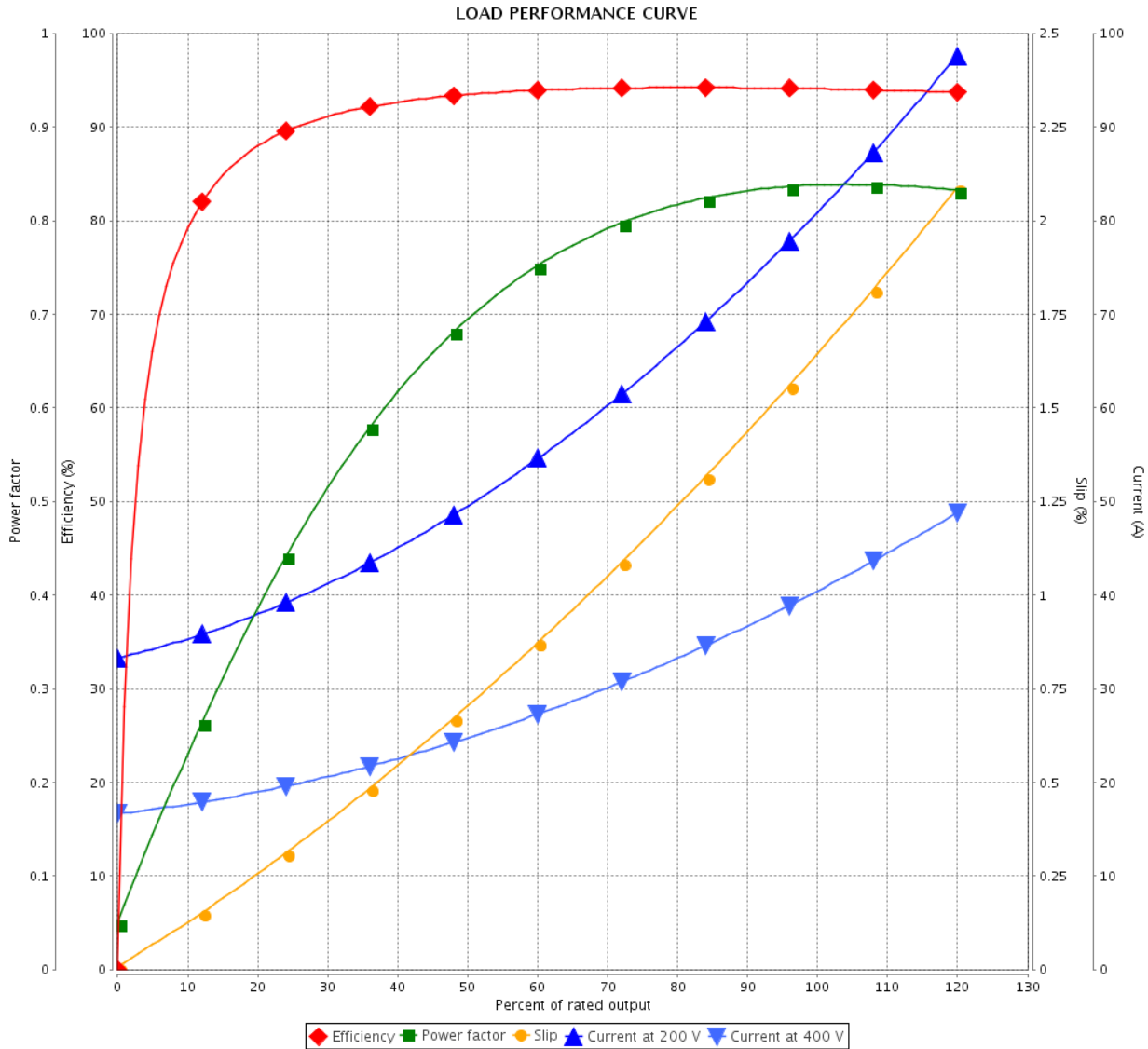
# LOAD PERFORMANCE CURVE



## Three Phase Induction Motor - Squirrel Cage

Customer : Dealers Industrial Equipment 800-469-3110  
 Customer reference : 03018OT3V286T-W40G

Product line : W40 NEMA Premium Efficiency Three-Phase      Product code : 14503868  
 Catalog # : 03018OT3V286T-W40G



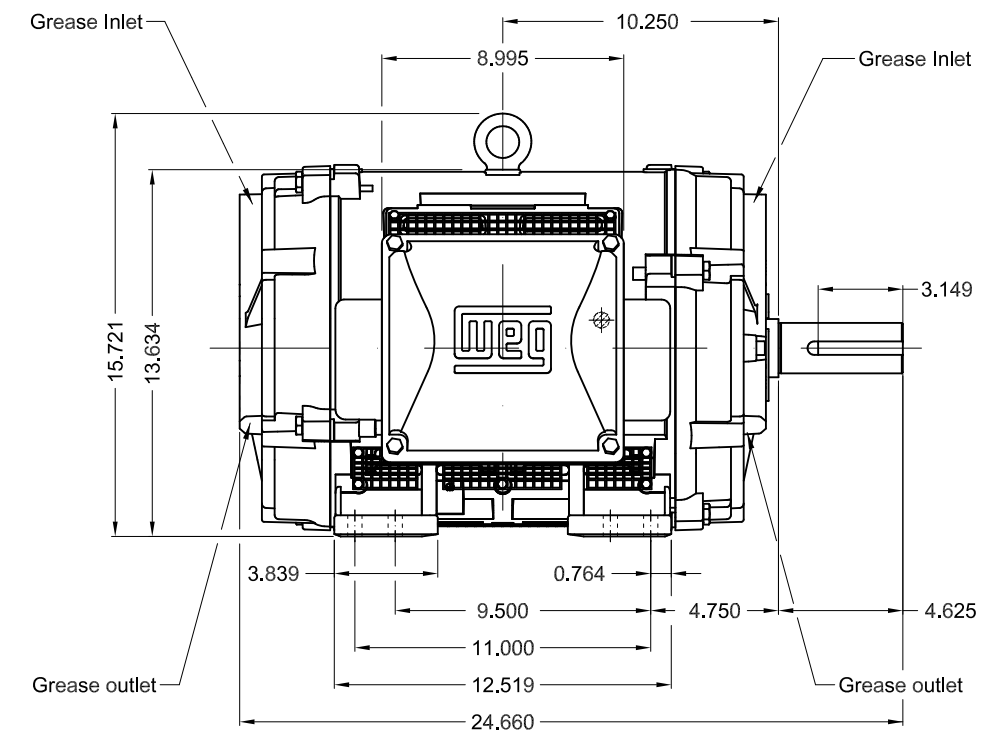
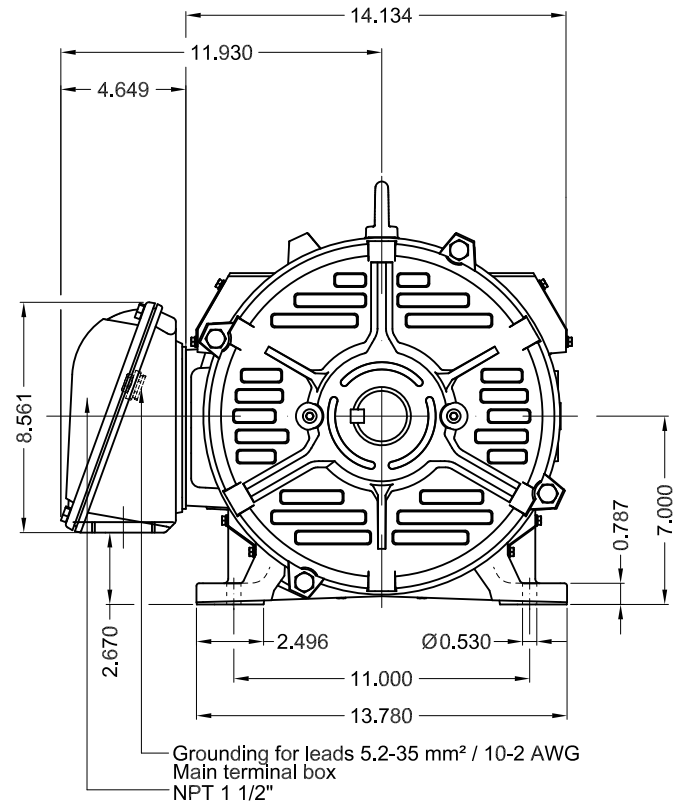
Performance : 200/400 V 60 Hz 4P

Rated current : 80.3/40.1 A	Moment of inertia (J) : 4.52 sq.ft.lb
LRC : 6.6	Duty cycle : Cont.(S1)
Rated torque : 87.8 ft.lb	Insulation class : F
Locked rotor torque : 280 %	Service factor : 1.25
Breakdown torque : 280 %	Temperature rise : 80 K
Rated speed : 1770 rpm	Design : B

Rev.	Changes Summary	Performed	Checked	Date
Performed by			Page 2 / 2	Revision
Checked by				
Date	14/04/2019			

Dimensões em polegada  
Dimensions in inches

THIS IS AN UPDATED REVISION, THE  
PREVIOUS ONE MUST BE DISREGARDED.



Internal AEGIS ground ring on the DE									
Bearing cap									
Color RAL 5009									
Painting plan 203A									
Mounting B3R(D)									
					SCALE	1:7			
ECM	LOC	SUMMARY OF MODIFICATIONS			EXECUTED	CHECKED	RELEASED	DATE	VER
EXECUTED	USERADMIN	THREE PHASE W40 MOTOR NEMA PREMIUM EFF							
CHECKED		FRAME 284/6T IP23 ODP							
RELEASED		WEG code: 14503868							
REL DT	14.04.2019	WMO	Jaragua do Sul	Product Engineering	SHEET	1 / 1			

30 HP 04 Poles 60Hz

A

