

# DATA SHEET



## Three Phase Induction Motor - Squirrel Cage

Customer : Dealers Industrial Equipment 800-469-3110  
 Customer reference : 03018OT3E286TC-W40G

Product line : W40 NEMA Premium Efficiency Three-Phase      Product code : 14503754  
 Catalog # : 03018OT3E286TC-W40G

Frame	: 284/6TC	Locked rotor time	: 32s (cold) 18s (hot)
Output	: 30 HP (22 kW)	Temperature rise	: 80 K
Poles	: 4	Duty cycle	: Cont.(S1)
Frequency	: 60 Hz	Ambient temperature	: -20°C to +40°C
Rated voltage	: 208-230/460 V	Altitude	: 1000 m.a.s.l.
Rated current	: 77.2-69.8/34.9 A	Protection degree	: IP23
L. R. Amperes	: 509-461/230 A	Cooling method	: IC01 - ODP
LRC	: 6.6x(Code G)	Mounting	: F-1
No load current	: 25.0-29.0/14.5 A	Rotation <sup>1</sup>	: Both (CW and CCW)
Rated speed	: 1770 rpm	Noise level <sup>2</sup>	: 64.0 dB(A)
Slip	: 1.67 %	Starting method	: Direct On Line
Rated torque	: 87.8 ft.lb	Approx. weight <sup>3</sup>	: 405 lb
Locked rotor torque	: 280 %		
Breakdown torque	: 280 %		
Insulation class	: F		
Service factor	: 1.25		
Moment of inertia (J)	: 4.52 sq.ft.lb		
Design	: B		

Output	25%	50%	75%	100%	Foundation loads
Efficiency (%)	93.4	93.6	94.1	94.1	Max. traction
Power Factor	0.44	0.70	0.80	0.84	Max. compression

		<u>Drive end</u>	<u>Non drive end</u>
Bearing type	:	6311 Z C3	6211 Z C3
Sealing	:	Without Bearing Seal	Without Bearing Seal
Lubrication interval	:	20000 h	20000 h
Lubricant amount	:	18 g	11 g
Lubricant type	:	Mobil Polyrex EM	

Notes  
 downloaded from <http://dealerselectric.com>

This revision replaces and cancel the previous one, which must be eliminated.  
 (1) Looking the motor from the shaft end.  
 (2) Measured at 1m and with tolerance of +3dB(A).  
 (3) Approximate weight subject to changes after manufacturing process.  
 (4) At 100% of full load.

These are average values based on tests with sinusoidal power supply, subject to the tolerances stipulated in NEMA MG-1.

Rev.	Changes Summary	Performed	Checked	Date
Performed by		Page		Revision
Checked by		1 / 2		
Date	14/04/2019			

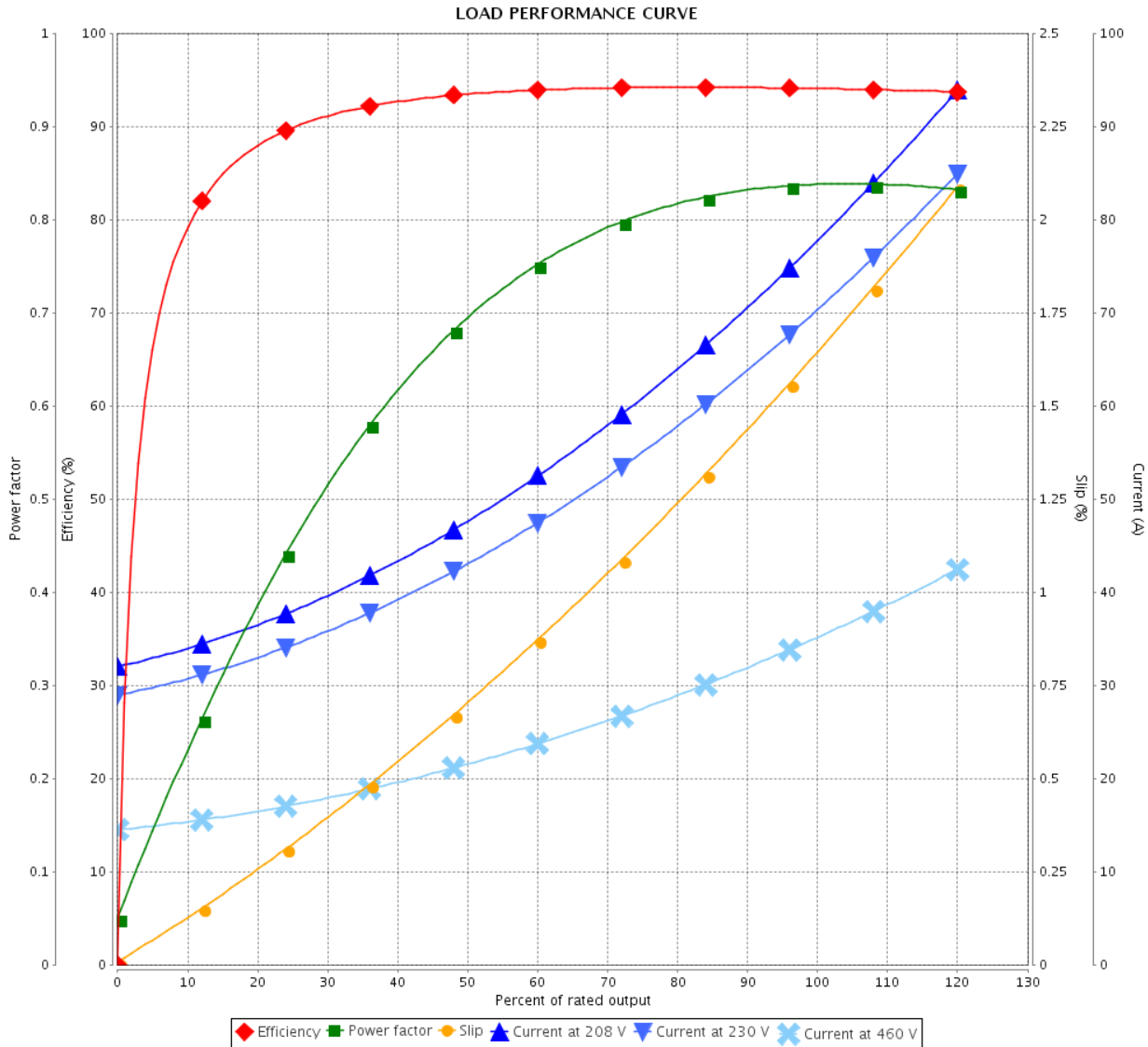
# LOAD PERFORMANCE CURVE



## Three Phase Induction Motor - Squirrel Cage

Customer : Dealers Industrial Equipment 800-469-3110  
 Customer reference : 03018OT3E286TC-W40G

Product line : W40 NEMA Premium Efficiency Three-Phase      Product code : 14503754  
 Catalog # : 03018OT3E286TC-W40G



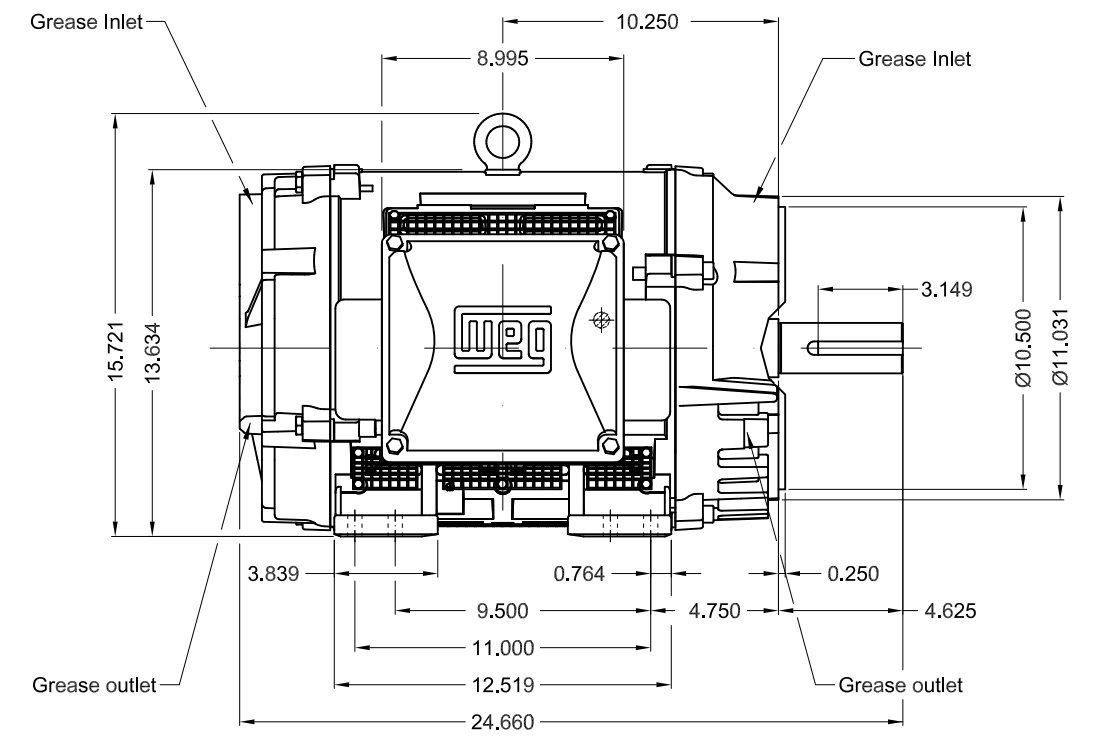
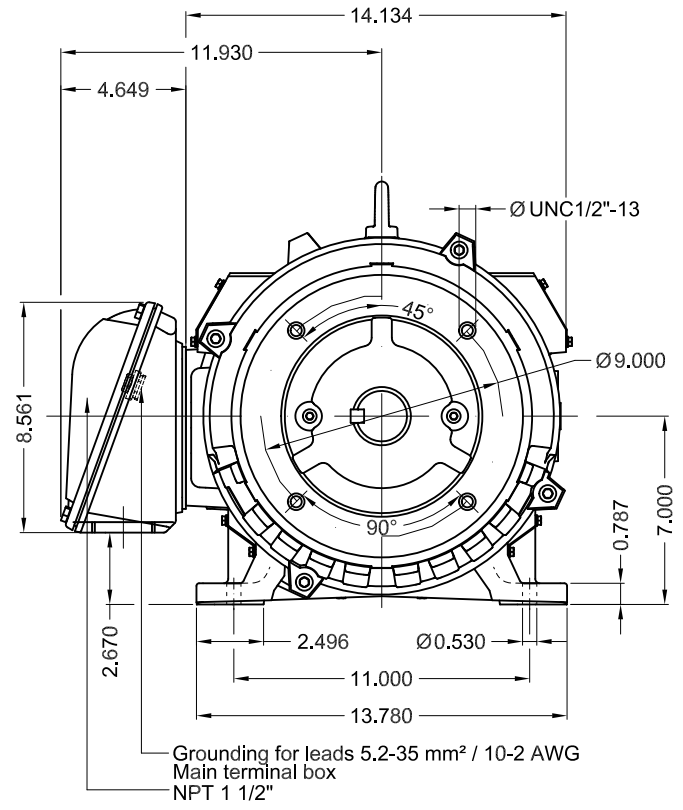
Performance : 208-230/460 V 60 Hz 4P

Rated current : 77.2-69.8/34.9 A	Moment of inertia (J) : 4.52 sq.ft.lb
LRC : 6.6	Duty cycle : Cont.(S1)
Rated torque : 87.8 ft.lb	Insulation class : F
Locked rotor torque : 280 %	Service factor : 1.25
Breakdown torque : 280 %	Temperature rise : 80 K
Rated speed : 1770 rpm	Design : B

Rev.	Changes Summary	Performed	Checked	Date
Performed by			Page 2 / 2	Revision
Checked by				
Date	14/04/2019			

Dimensões em polegada  
Dimensions in inches

THIS IS AN UPDATED REVISION, THE  
PREVIOUS ONE MUST BE DISREGARDED.



Internal AEGIS ground ring on the DE  
Bearing cap  
Color RAL 5009  
Painting plan 203A  
Mounting B34R(D)

SCALE 1:7

ECM	LOC	SUMMARY OF MODIFICATIONS	EXECUTED	CHECKED	RELEASED	DATE	VER
EXECUTED	USERADMIN	THREE PHASE W40 MOTOR NEMA PREMIUM EFF					
CHECKED		FRAME 284/6TC IP23 ODP					
RELEASED		WEG code: 14503754					
REL DT	14.04.2019	WMO Jaragua do Sul	Product Engineering	SHEET	1 / 1		

30 HP 04 Poles 60Hz

A



ZME A3