

# DATA SHEET



## Three Phase Induction Motor - Squirrel Cage

Customer : Dealers Industrial Equipment 800-469-3110  
 Customer reference : 02518OT3H284T-W40G

Product line : W40 NEMA Premium Efficiency Three-Phase      Product code : 14503704  
 Catalog # : 02518OT3H284T-W40G

|                                       |   |
|---------------------------------------|---|
| Frame : 284T                          | Locked rotor time : 30s (cold) 17s (hot)  |
| Output : 25 HP (18.5 kW)              | Temperature rise : 80 K                   |
| Poles : 4                             | Duty cycle : Cont.(S1)                    |
| Frequency : 60 Hz                     | Ambient temperature : -20°C to +40°C      |
| Rated voltage : 575 V                 | Altitude : 1000 m.a.s.l.                  |
| Rated current : 23.6 A                | Protection degree : IP23                  |
| L. R. Amperes : 156 A                 | Cooling method : IC01 - ODP               |
| LRC : 6.6x(Code G)                    | Mounting : F-1                            |
| No load current : 8.80 A              | Rotation <sup>1</sup> : Both (CW and CCW) |
| Rated speed : 1770 rpm                | Noise level <sup>2</sup> : 64.0 dB(A)     |
| Slip : 1.67 %                         | Starting method : Direct On Line          |
| Rated torque : 73.2 ft.lb             | Approx. weight <sup>3</sup> : 350 lb      |
| Locked rotor torque : 270 %           |   |
| Breakdown torque : 280 %              |   |
| Insulation class : F                  |   |
| Service factor : 1.25                 |   |
| Moment of inertia (J) : 3.71 sq.ft.lb |   |
| Design : B                            |   |

|                |      |      |      |      |                  |
|----------------|------|------|------|------|------------------|
| Output         | 25%  | 50%  | 75%  | 100% | Foundation loads |
| Efficiency (%) | 92.8 | 93.0 | 93.6 | 93.6 | Max. traction    |
| Power Factor   | 0.45 | 0.69 | 0.80 | 0.84 | Max. compression |

|                        |                      |                      |
|------------------------|----------------------|----------------------|
|                        | <u>Drive end</u>     | <u>Non drive end</u> |
| Bearing type :         | 6311 Z C3            | 6211 Z C3            |
| Sealing :              | Without Bearing Seal | Without Bearing Seal |
| Lubrication interval : | 20000 h              | 20000 h              |
| Lubricant amount :     | 18 g                 | 11 g                 |
| Lubricant type :       | Mobil Polyrex EM     |                      |

Notes  
 downloaded from <http://dealerselectric.com>

This revision replaces and cancel the previous one, which must be eliminated.  
 (1) Looking the motor from the shaft end.  
 (2) Measured at 1m and with tolerance of +3dB(A).  
 (3) Approximate weight subject to changes after manufacturing process.  
 (4) At 100% of full load.

These are average values based on tests with sinusoidal power supply, subject to the tolerances stipulated in NEMA MG-1.

|              |                 |           |         |          |
|--------------|-----------------|-----------|---------|----------|
| Rev.         | Changes Summary | Performed | Checked | Date     |
| Performed by |                 |           |         |          |
| Checked by   |                 |           | Page    | Revision |
| Date         | 14/04/2019      |           | 1 / 2   |          |

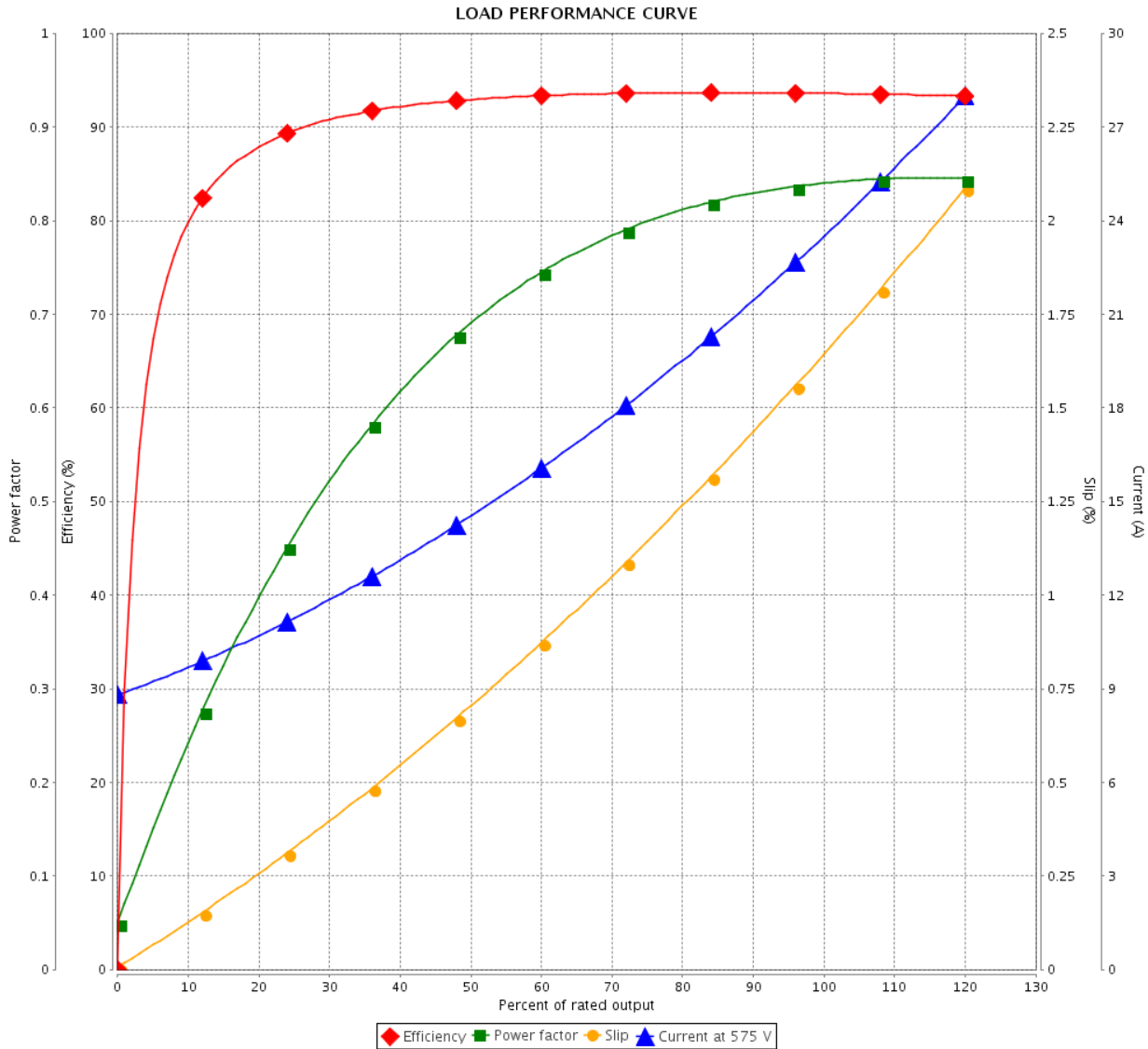
# LOAD PERFORMANCE CURVE



## Three Phase Induction Motor - Squirrel Cage

Customer : Dealers Industrial Equipment 800-469-3110  
 Customer reference : 02518OT3H284T-W40G

Product line : W40 NEMA Premium Efficiency Three-Phase      Product code : 14503704  
 Catalog # : 02518OT3H284T-W40G



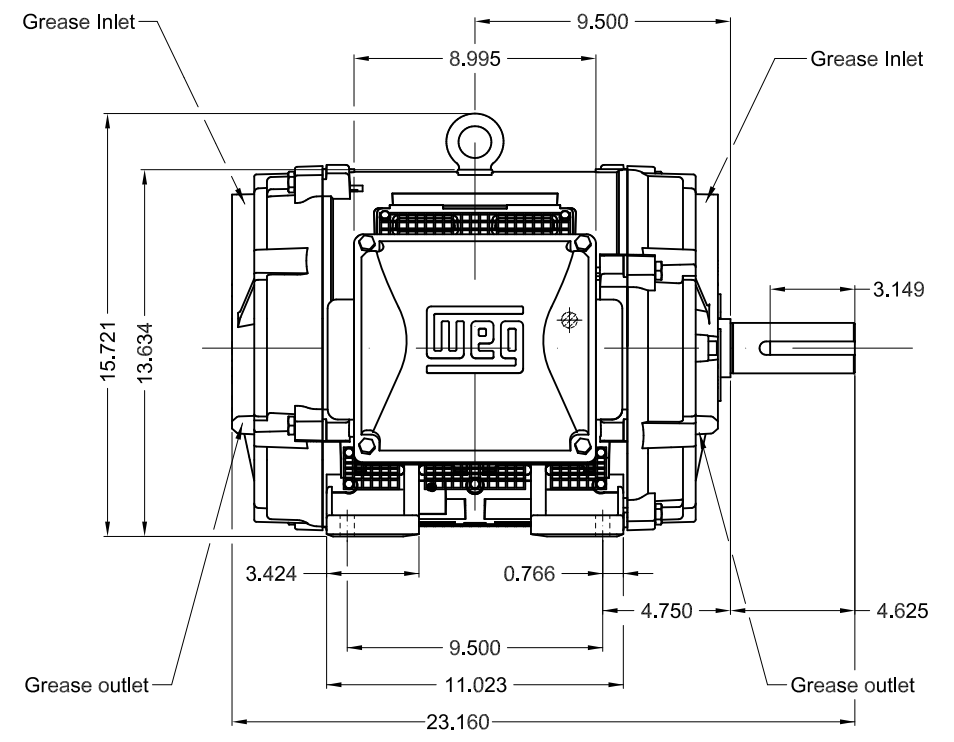
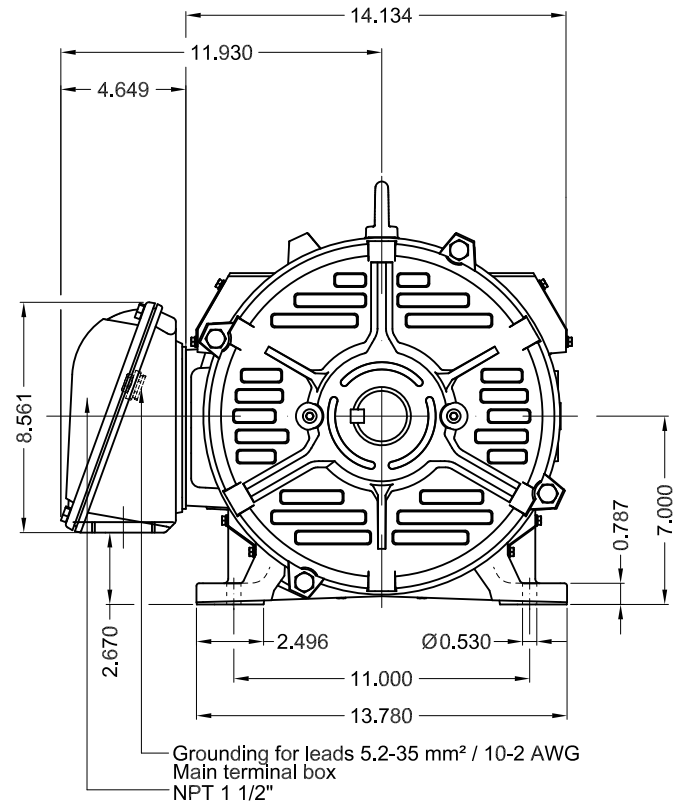
Performance : 575 V 60 Hz 4P

|                             |                                       |
|-----------------------------|---------------------------------------|
| Rated current : 23.6 A      | Moment of inertia (J) : 3.71 sq.ft.lb |
| LRC : 6.6                   | Duty cycle : Cont.(S1)                |
| Rated torque : 73.2 ft.lb   | Insulation class : F                  |
| Locked rotor torque : 270 % | Service factor : 1.25                 |
| Breakdown torque : 280 %    | Temperature rise : 80 K               |
| Rated speed : 1770 rpm      | Design : B                            |

| Rev.         | Changes Summary | Performed | Checked       | Date     |
|--------------|-----------------|-----------|---------------|----------|
|              |                 |           |               |          |
| Performed by |                 |           | Page<br>2 / 2 | Revision |
| Checked by   |                 |           |               |          |
| Date         | 14/04/2019      |           |               |          |

Dimensões em polegada  
Dimensions in inches

THIS IS AN UPDATED REVISION, THE  
PREVIOUS ONE MUST BE DISREGARDED.



Internal AEGIS ground ring on the DE  
Bearing cap  
Color RAL 5009  
Painting plan 203A  
Mounting B3R(D)

|          |            |                          |  |                     | SCALE   | 1:7      |      |     |
|----------|------------|--------------------------|--|---------------------|---------|----------|------|-----|
| ECM      | LOC        | SUMMARY OF MODIFICATIONS |  | EXECUTED            | CHECKED | RELEASED | DATE | VER |
| EXECUTED | USERADMIN  |                          | THREE PHASE W40 MOTOR NEMA PREMIUM EFF |                     |         |          |      |     |
| CHECKED  |            |                          | FRAME 284T IP23 ODP                    |                     |         |          |      |     |
| RELEASED |            |                          | WEG code: 14503704                     |                     |         |          |      |     |
| REL DT   | 14.04.2019 | WMO                      | Jaragua do Sul                         | Product Engineering | SHEET   | 1 / 1    |      |     |

25 HP 04 Poles 60Hz

A

