

DATA SHEET



Three Phase Induction Motor - Squirrel Cage

Customer		: Dealers Industrial Equipment 800-469-3110			
Customer reference		: 02518OT3E284TC-W40G			
Product line		: W40 NEMA Premium Efficiency Three-Phase		Product code : 14503636	
				Catalog # : 02518OT3E284TC-W40G	
Frame		: 284TC		Locked rotor time	
Output		: 25 HP (18.5 kW)		: 30s (cold) 17s (hot)	
Poles		: 4		Temperature rise	
Frequency		: 60 Hz		: 80 K	
Rated voltage		: 208-230/460 V		Duty cycle	
Rated current		: 65.2-59.0/29.5 A		: Cont.(S1)	
L. R. Amperes		: 431-389/195 A		Ambient temperature	
LRC		: 6.6x(Code G)		: -20°C to +40°C	
No load current		: 19.0-22.0/11.0 A		Altitude	
Rated speed		: 1770 rpm		: 1000 m.a.s.l.	
Slip		: 1.67 %		Protection degree	
Rated torque		: 73.2 ft.lb		: IP23	
Locked rotor torque		: 270 %		Cooling method	
Breakdown torque		: 280 %		: IC01 - ODP	
Insulation class		: F		Mounting	
Service factor		: 1.25		: F-1	
Moment of inertia (J)		: 3.71 sq.ft.lb		Rotation ¹	
Design		: B		: Both (CW and CCW)	
				Noise level ²	
				: 64.0 dB(A)	
				Starting method	
				: Direct On Line	
				Approx. weight ³	
				: 358 lb	
Output		25%	50%	75%	100%
Efficiency (%)		92.8	93.0	93.6	93.6
Power Factor		0.45	0.69	0.80	0.84
Foundation loads					
Max. traction					
Max. compression					
		<u>Drive end</u>		<u>Non drive end</u>	
Bearing type		: 6311 Z C3		6211 Z C3	
Sealing		: Without Bearing Seal		Without Bearing Seal	
Lubrication interval		: 20000 h		20000 h	
Lubricant amount		: 18 g		11 g	
Lubricant type		: Mobil Polyrex EM			
Notes					
downloaded from http://dealerselectric.com					
This revision replaces and cancel the previous one, which must be eliminated.			These are average values based on tests with sinusoidal power supply, subject to the tolerances stipulated in NEMA MG-1.		
(1) Looking the motor from the shaft end.					
(2) Measured at 1m and with tolerance of +3dB(A).					
(3) Approximate weight subject to changes after manufacturing process.					
(4) At 100% of full load.					
Rev.	Changes Summary			Performed	Checked
Performed by					
Checked by				Page	Revision
Date	14/04/2019			1 / 2	

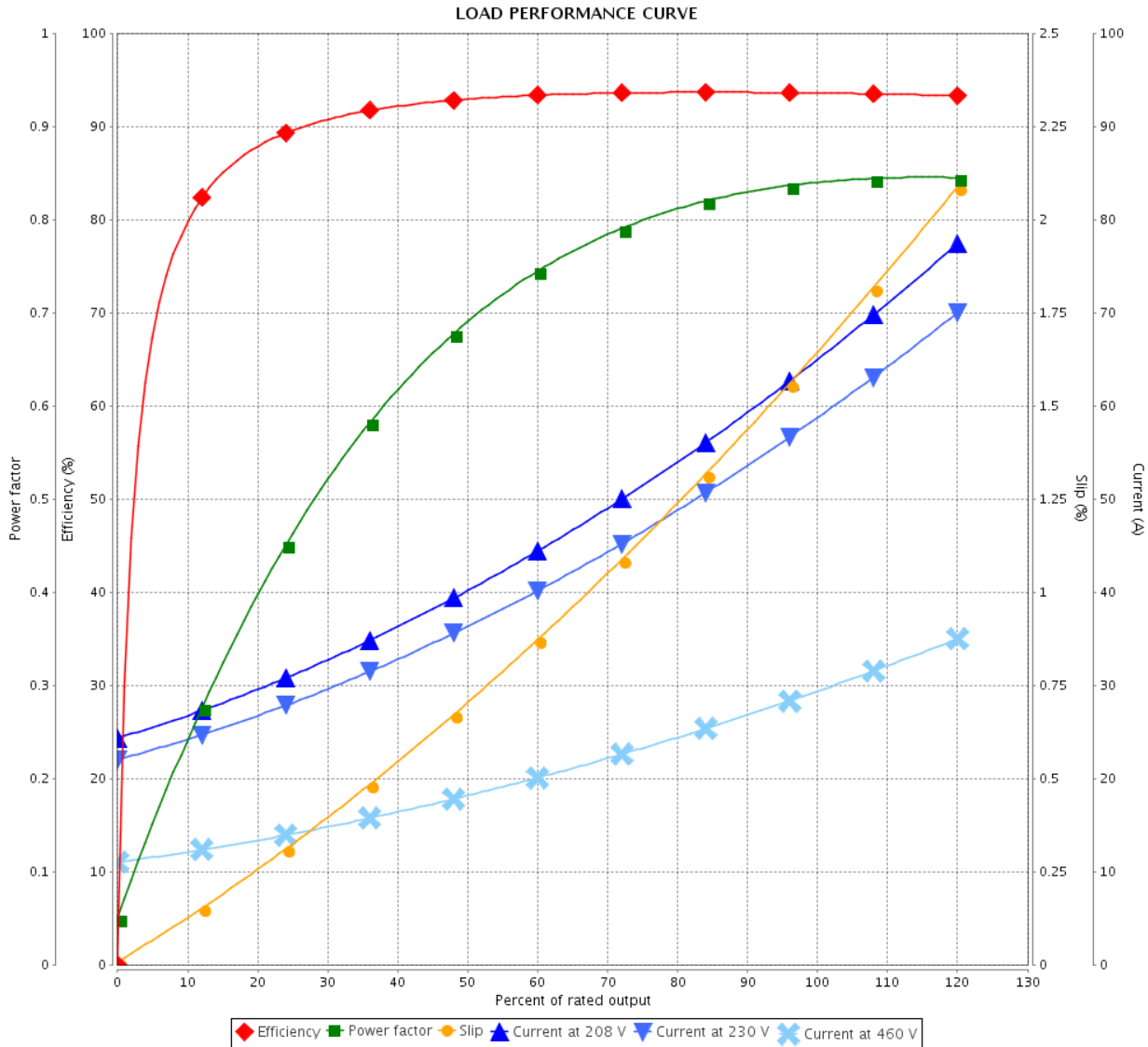
LOAD PERFORMANCE CURVE



Three Phase Induction Motor - Squirrel Cage

Customer : Dealers Industrial Equipment 800-469-3110
 Customer reference : 02518OT3E284TC-W40G

Product line : W40 NEMA Premium Efficiency Three-Phase Product code : 14503636
 Catalog # : 02518OT3E284TC-W40G



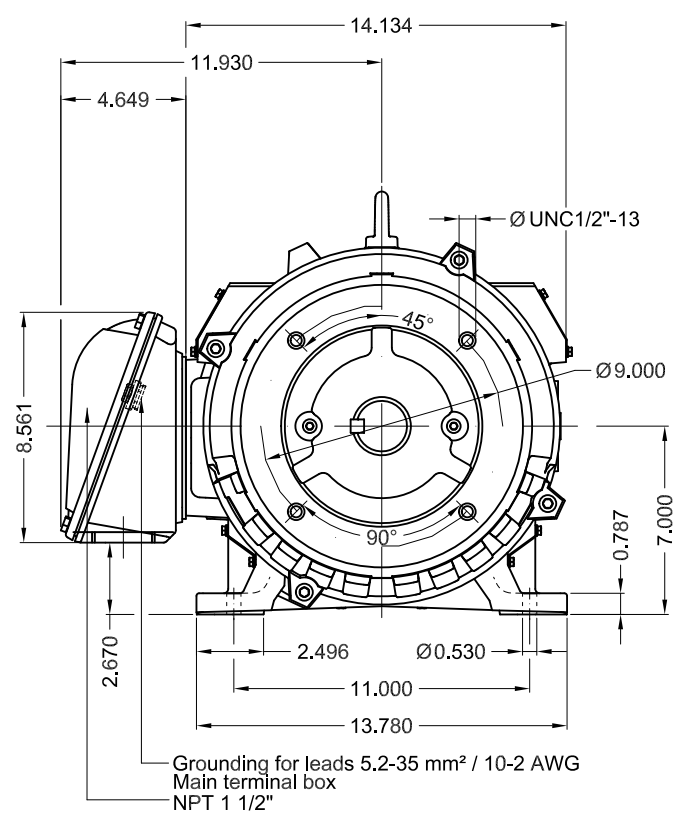
Performance : 208-230/460 V 60 Hz 4P

Rated current : 65.2-59.0/29.5 A	Moment of inertia (J) : 3.71 sq.ft.lb
LRC : 6.6	Duty cycle : Cont.(S1)
Rated torque : 73.2 ft.lb	Insulation class : F
Locked rotor torque : 270 %	Service factor : 1.25
Breakdown torque : 280 %	Temperature rise : 80 K
Rated speed : 1770 rpm	Design : B

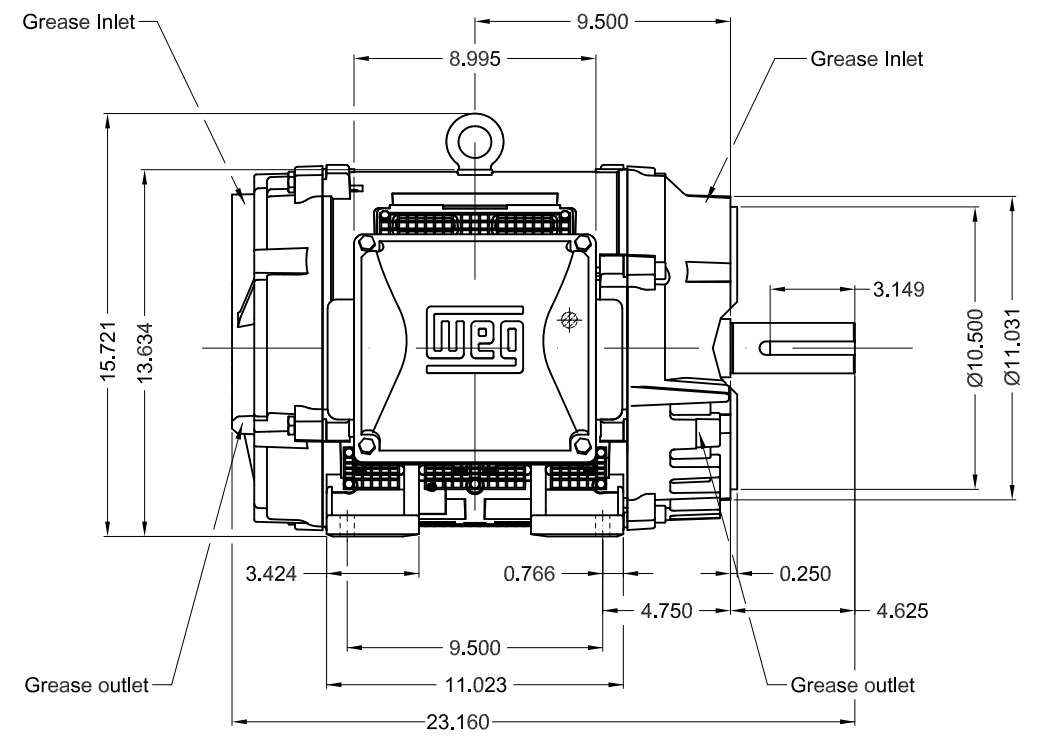
Rev.	Changes Summary	Performed	Checked	Date
Performed by			Page 2 / 2	Revision
Checked by				
Date	14/04/2019			

Dimensões em polegada
Dimensions in inches

THIS IS AN UPDATED REVISION, THE
PREVIOUS ONE MUST BE DISREGARDED.



Grounding for leads 5.2-35 mm² / 10-2 AWG
Main terminal box
NPT 1 1/2"



Internal AEGIS ground ring on the DE
Bearing cap
Color RAL 5009
Painting plan 203A
Mounting B34R(D)

					SCALE	1:7	
ECM	LOC	SUMMARY OF MODIFICATIONS	EXECUTED	CHECKED	RELEASED	DATE	VER
EXECUTED	USERADMIN	THREE PHASE W40 MOTOR NEMA PREMIUM EFF					
CHECKED		FRAME 284TC IP23 ODP					
RELEASED		WEG code: 14503636					
REL DT	14.04.2019	WMO Jaragua do Sul	Product Engineering	SHEET	1 / 1		

25 HP 04 Poles 60Hz

A

