

# DATA SHEET



## Three Phase Induction Motor - Squirrel Cage

Customer : Dealers Industrial Equipment 800-469-3110  
 Customer reference : 05018OT3P326TSCF2-W4

Product line : W40 NEMA Premium Efficiency Three-Phase      Product code : 14501319  
 Catalog # : 05018OT3P326TSCF2-W4

Frame	: 324/6TSC	Locked rotor time	: 19s (cold) 11s (hot)
Output	: 50 HP (37 kW)	Temperature rise	: 80 K
Poles	: 4	Duty cycle	: Cont.(S1)
Frequency	: 60 Hz	Ambient temperature	: -20°C to +40°C
Rated voltage	: 200 V	Altitude	: 1000 m.a.s.l.
Rated current	: 135 A	Protection degree	: IP23
L. R. Amperes	: 848 A	Cooling method	: IC01 - ODP
LRC	: 6.3x(Code G)	Mounting	: F-2
No load current	: 53.4 A	Rotation <sup>1</sup>	: Both (CW and CCW)
Rated speed	: 1775 rpm	Noise level <sup>2</sup>	: 66.0 dB(A)
Slip	: 1.39 %	Starting method	: Direct On Line
Rated torque	: 146 ft.lb	Approx. weight <sup>3</sup>	: 530 lb
Locked rotor torque	: 240 %		
Breakdown torque	: 240 %		
Insulation class	: F		
Service factor	: 1.25		
Moment of inertia (J)	: 7.08 sq.ft.lb		
Design	: B		

Output	25%	50%	75%	100%	Foundation loads
Efficiency (%)	94.0	94.1	94.5	94.5	Max. traction
Power Factor	0.44	0.70	0.80	0.84	Max. compression

	Drive end	Non drive end
Bearing type	: 6312 Z C3	6211 Z C3
Sealing	: Without Bearing Seal	Without Bearing Seal
Lubrication interval	: 20000 h	20000 h
Lubricant amount	: 21 g	11 g
Lubricant type	: Mobil Polyrex EM	

Notes  
 downloaded from <http://dealerselectric.com>

This revision replaces and cancel the previous one, which must be eliminated.  
 (1) Looking the motor from the shaft end.  
 (2) Measured at 1m and with tolerance of +3dB(A).  
 (3) Approximate weight subject to changes after manufacturing process.  
 (4) At 100% of full load.

These are average values based on tests with sinusoidal power supply, subject to the tolerances stipulated in NEMA MG-1.

Rev.	Changes Summary	Performed	Checked	Date
Performed by		Page		Revision
Checked by		1 / 2		
Date	14/04/2019			

# LOAD PERFORMANCE CURVE



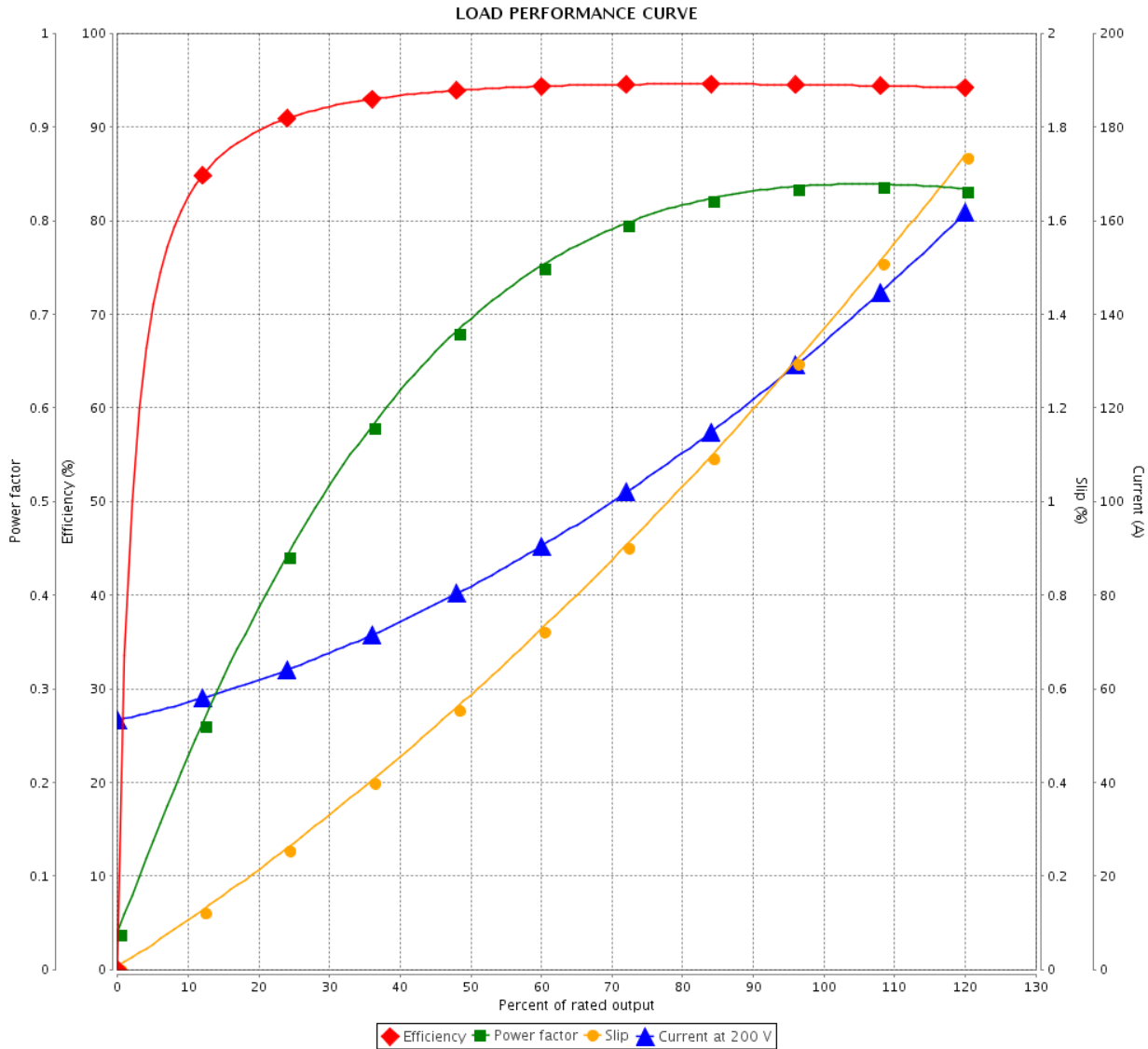
## Three Phase Induction Motor - Squirrel Cage

Customer : Dealers Industrial Equipment 800-469-3110  
 Customer reference : 05018OT3P326TSCF2-W4

Product line : W40 NEMA Premium Efficiency  
 Three-Phase

Product code : 14501319

Catalog # : 05018OT3P326TSCF2-W4



Performance : 200 V 60 Hz 4P

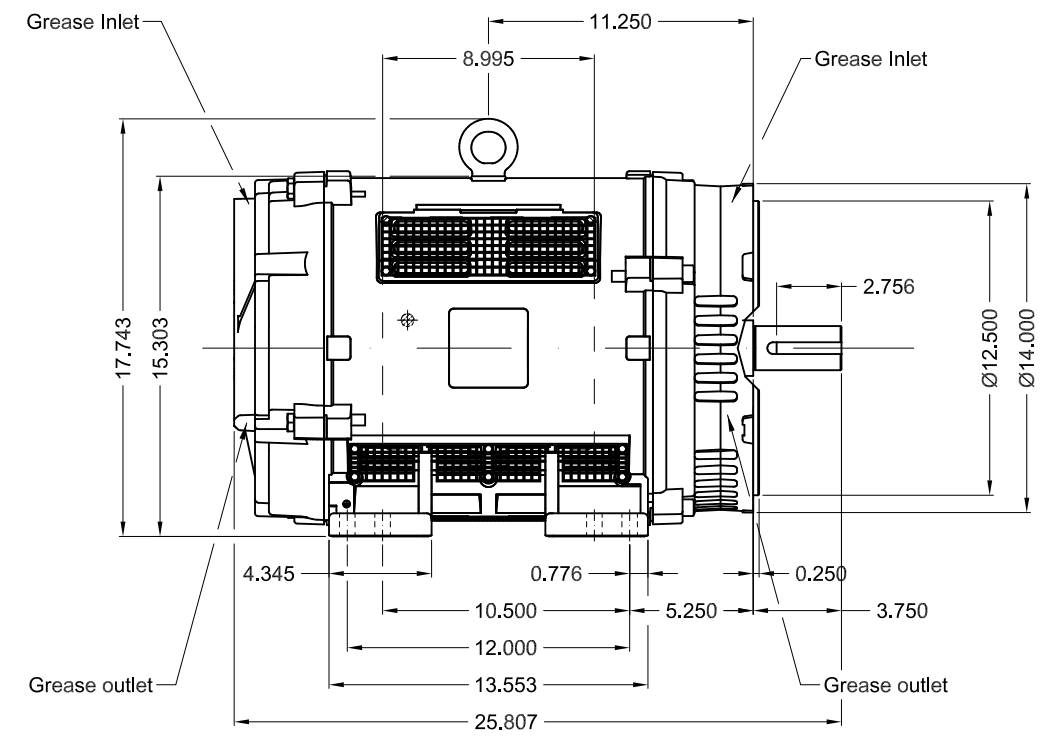
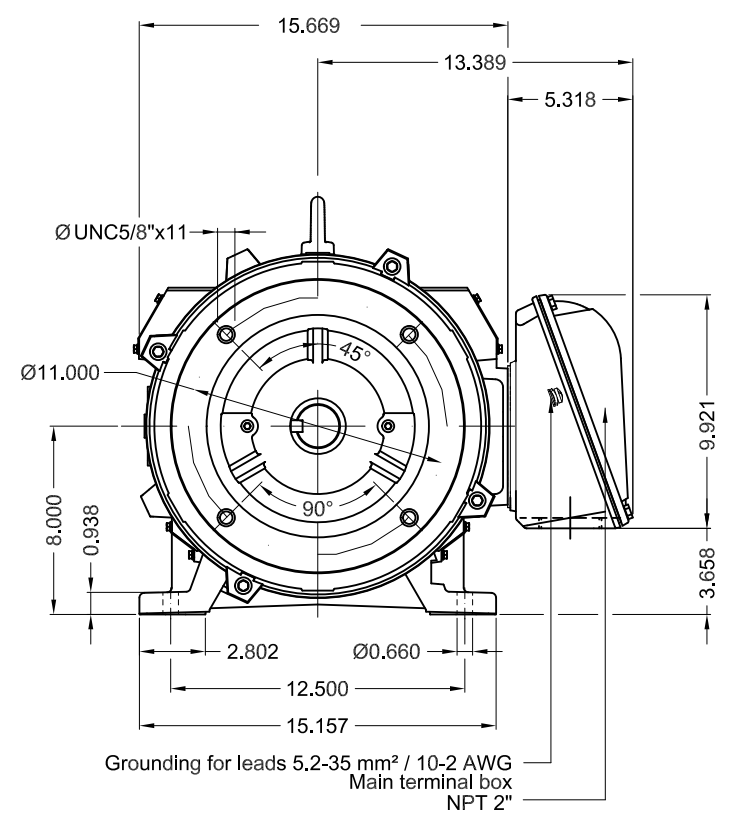
Rated current : 135 A  
 LRC : 6.3  
 Rated torque : 146 ft.lb  
 Locked rotor torque : 240 %  
 Breakdown torque : 240 %  
 Rated speed : 1775 rpm

Moment of inertia (J) : 7.08 sq.ft.lb  
 Duty cycle : Cont.(S1)  
 Insulation class : F  
 Service factor : 1.25  
 Temperature rise : 80 K  
 Design : B

Rev.	Changes Summary	Performed	Checked	Date
Performed by			Page	Revision
Checked by				
Date				

Dimensões em polegada  
Dimensions in inches

THIS IS AN UPDATED REVISION, THE  
PREVIOUS ONE MUST BE DISREGARDED.



TS shaft end									
Color RAL 5009									
Painting plan 203A									
Mounting B34L(E)									
						SCALE	1:8		
ECM	LOC	SUMMARY OF MODIFICATIONS			EXECUTED	CHECKED	RELEASED	DATE	VER
EXECUTED	USERADMIN	THREE PHASE W40 MOTOR NEMA PREMIUM EFF							
CHECKED		FRAME 324/6TSC IP23 ODP							
RELEASED		WEG code: 14501319							
REL DT	14.04.2019	WMO	Jaragua do Sul	Product Engineering	SHEET	1 / 1			

50 HP 04 Poles 60Hz

A



ZME A3