

DATA SHEET



Three Phase Induction Motor - Squirrel Cage

Customer : Dealers Industrial Equipment 800-469-3110																			
Customer reference : 04036OT3P286TS-W40																			
Product line : W40 NEMA Premium Efficiency Three-Phase	Product code : 14501284 Catalog # : 04036OT3P286TS-W40																		
Frame : 284/6TS Output : 40 HP (30 kW) Poles : 2 Frequency : 60 Hz Rated voltage : 200 V Rated current : 108 A L. R. Amperes : 700 A LRC : 6.5x(Code G) No load current : 34.3 A Rated speed : 3540 rpm Slip : 1.67 % Rated torque : 58.5 ft.lb Locked rotor torque : 190 % Breakdown torque : 260 % Insulation class : F Service factor : 1.25 Moment of inertia (J) : 2.02 sq.ft.lb Design : B	Locked rotor time : 14s (cold) 8s (hot) Temperature rise : 80 K Duty cycle : Cont.(S1) Ambient temperature : -20°C to +40°C Altitude : 1000 m.a.s.l. Protection degree : IP23 Cooling method : IC01 - ODP Mounting : F-1 Rotation ¹ : Both (CW and CCW) Noise level ² : 73.0 dB(A) Starting method : Direct On Line Approx. weight ³ : 370 lb																		
<table border="1"> <tr> <td>Output</td> <td>25%</td> <td>50%</td> <td>75%</td> <td>100%</td> </tr> <tr> <td>Efficiency (%)</td> <td>91.5</td> <td>91.7</td> <td>92.4</td> <td>92.4</td> </tr> <tr> <td>Power Factor</td> <td>0.51</td> <td>0.76</td> <td>0.84</td> <td>0.87</td> </tr> </table>	Output	25%	50%	75%	100%	Efficiency (%)	91.5	91.7	92.4	92.4	Power Factor	0.51	0.76	0.84	0.87	Foundation loads Max. traction Max. compression			
Output	25%	50%	75%	100%															
Efficiency (%)	91.5	91.7	92.4	92.4															
Power Factor	0.51	0.76	0.84	0.87															
<table border="1"> <tr> <td></td> <td style="text-align: center;"><u>Drive end</u></td> <td style="text-align: center;"><u>Non drive end</u></td> </tr> <tr> <td>Bearing type :</td> <td style="text-align: center;">6311 Z C3</td> <td style="text-align: center;">6211 Z C3</td> </tr> <tr> <td>Sealing :</td> <td style="text-align: center;">Without Bearing Seal</td> <td style="text-align: center;">Without Bearing Seal</td> </tr> <tr> <td>Lubrication interval :</td> <td style="text-align: center;">20000 h</td> <td style="text-align: center;">20000 h</td> </tr> <tr> <td>Lubricant amount :</td> <td style="text-align: center;">18 g</td> <td style="text-align: center;">11 g</td> </tr> <tr> <td>Lubricant type :</td> <td colspan="2" style="text-align: center;">Mobil Polyrex EM</td> </tr> </table>			<u>Drive end</u>	<u>Non drive end</u>	Bearing type :	6311 Z C3	6211 Z C3	Sealing :	Without Bearing Seal	Without Bearing Seal	Lubrication interval :	20000 h	20000 h	Lubricant amount :	18 g	11 g	Lubricant type :	Mobil Polyrex EM	
	<u>Drive end</u>	<u>Non drive end</u>																	
Bearing type :	6311 Z C3	6211 Z C3																	
Sealing :	Without Bearing Seal	Without Bearing Seal																	
Lubrication interval :	20000 h	20000 h																	
Lubricant amount :	18 g	11 g																	
Lubricant type :	Mobil Polyrex EM																		
Notes downloaded from http://dealerselectric.com																			
This revision replaces and cancel the previous one, which must be eliminated. (1) Looking the motor from the shaft end. (2) Measured at 1m and with tolerance of +3dB(A). (3) Approximate weight subject to changes after manufacturing process. (4) At 100% of full load.																			
These are average values based on tests with sinusoidal power supply, subject to the tolerances stipulated in NEMA MG-1.																			
Rev.	Changes Summary	Performed	Checked	Date															
Performed by																			
Checked by			Page	Revision															
Date	14/04/2019		1 / 2																

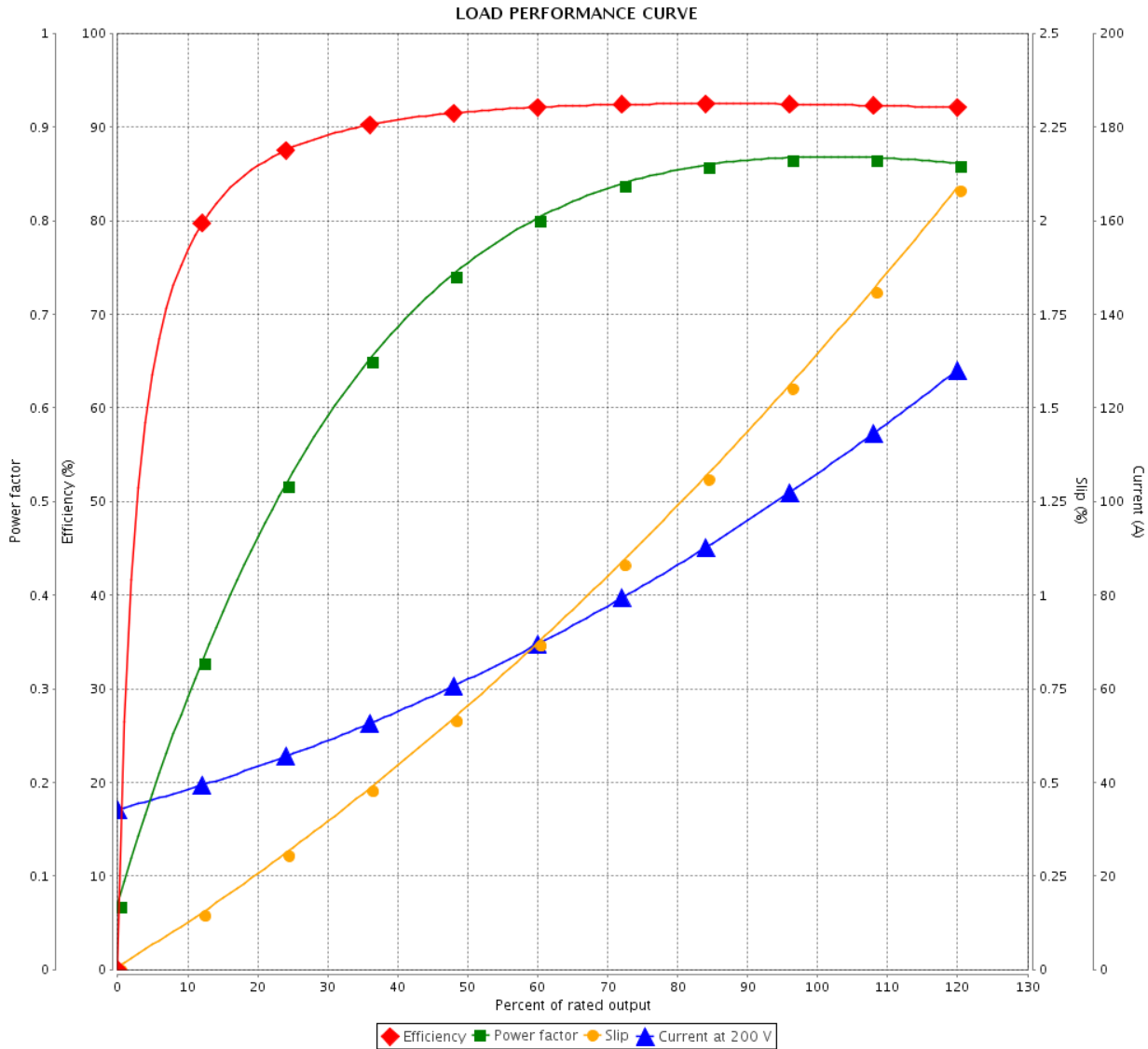
LOAD PERFORMANCE CURVE



Three Phase Induction Motor - Squirrel Cage

Customer : Dealers Industrial Equipment 800-469-3110
 Customer reference : 04036OT3P286TS-W40

Product line : W40 NEMA Premium Efficiency Three-Phase Product code : 14501284
 Catalog # : 04036OT3P286TS-W40



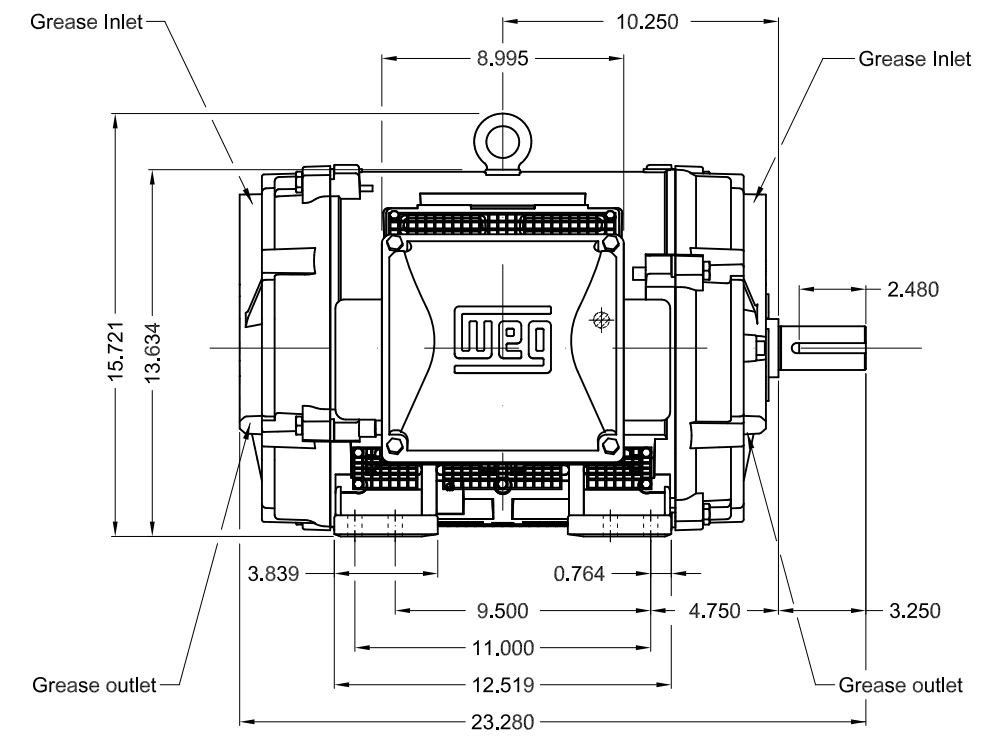
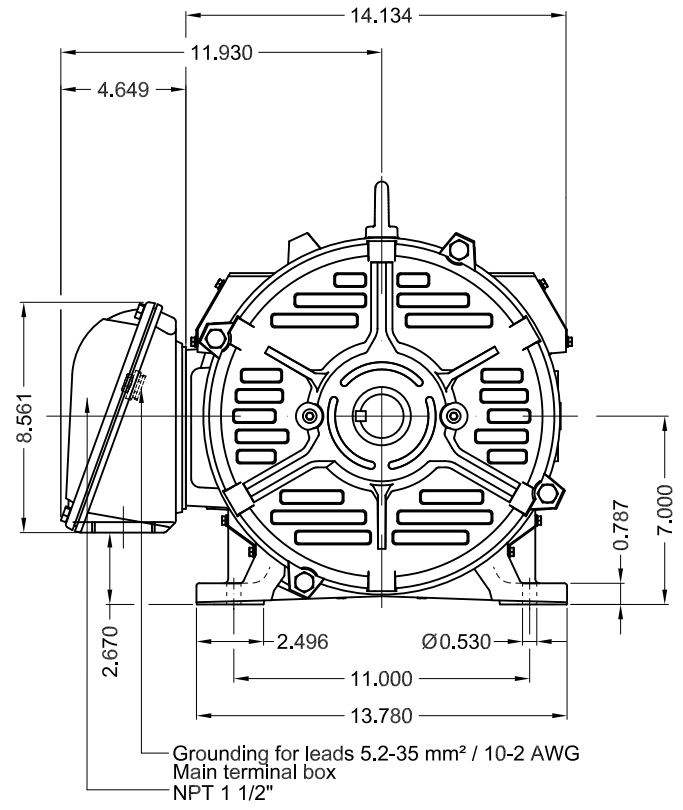
Performance : 200 V 60 Hz 2P

Rated current : 108 A	Moment of inertia (J) : 2.02 sq.ft.lb
LRC : 6.5	Duty cycle : Cont.(S1)
Rated torque : 58.5 ft.lb	Insulation class : F
Locked rotor torque : 190 %	Service factor : 1.25
Breakdown torque : 260 %	Temperature rise : 80 K
Rated speed : 3540 rpm	Design : B

Rev.	Changes Summary	Performed	Checked	Date
Performed by			Page 2 / 2	Revision
Checked by				
Date	14/04/2019			

Dimensões em polegada
Dimensions in inches

THIS IS AN UPDATED REVISION, THE
PREVIOUS ONE MUST BE DISREGARDED.



Color RAL 5009									
Painting plan 203A									
Mounting B3R(D)									
					SCALE	1:7			
ECM	LOC	SUMMARY OF MODIFICATIONS			EXECUTED	CHECKED	RELEASED	DATE	VER
EXECUTED	USERADMIN	THREE PHASE W40 MOTOR NEMA PREMIUM EFF							
CHECKED		FRAME 284/6TS IP23 ODP							
RELEASED		WEG code: 14501284							
REL DT	14.04.2019	WMO	Jaragua do Sul	Product Engineering	SHEET	1 / 1			

40 HP 02 Poles 60Hz

A

