

# DATA SHEET



## Three Phase Induction Motor - Squirrel Cage

Customer : Dealers Industrial Equipment 800-469-3110																						
Customer reference : 02018OT3P256T-W40																						
Product line : W40 NEMA Premium Efficiency Three-Phase			Product code : 14501071																			
			Catalog # : 02018OT3P256T-W40																			
Frame : 254/6T Output : 20 HP (15 kW) Poles : 4 Frequency : 60 Hz Rated voltage : 200 V Rated current : 55.4 A L. R. Amperes : 355 A LRC : 6.4x(Code G) No load current : 23.0 A Rated speed : 1765 rpm Slip : 1.94 % Rated torque : 58.7 ft.lb Locked rotor torque : 220 % Breakdown torque : 280 % Insulation class : F Service factor : 1.25 Moment of inertia (J) : 3.13 sq.ft.lb Design : B		Locked rotor time : 21s (cold) 12s (hot) Temperature rise : 80 K Duty cycle : Cont.(S1) Ambient temperature : -20°C to +40°C Altitude : 1000 m.a.s.l. Protection degree : IP23 Cooling method : IC01 - ODP Mounting : F-1 Rotation <sup>1</sup> : Both (CW and CCW) Noise level <sup>2</sup> : 62.0 dB(A) Starting method : Direct On Line Approx. weight <sup>3</sup> : 297 lb																				
<table border="1"> <tr> <td>Output</td> <td>25%</td> <td>50%</td> <td>75%</td> <td>100%</td> </tr> <tr> <td>Efficiency (%)</td> <td>92.2</td> <td>92.4</td> <td>93.0</td> <td>93.0</td> </tr> <tr> <td>Power Factor</td> <td>0.43</td> <td>0.69</td> <td>0.79</td> <td>0.84</td> </tr> </table>				Output	25%	50%	75%	100%	Efficiency (%)	92.2	92.4	93.0	93.0	Power Factor	0.43	0.69	0.79	0.84	Foundation loads			
Output	25%	50%	75%	100%																		
Efficiency (%)	92.2	92.4	93.0	93.0																		
Power Factor	0.43	0.69	0.79	0.84																		
				Max. traction																		
				Max. compression																		
<table border="1"> <thead> <tr> <th></th> <th>Drive end</th> <th>Non drive end</th> </tr> </thead> <tbody> <tr> <td>Bearing type :</td> <td>6309 Z C3</td> <td>6209 Z C3</td> </tr> <tr> <td>Sealing :</td> <td>Without Bearing Seal</td> <td>Without Bearing Seal</td> </tr> <tr> <td>Lubrication interval :</td> <td>20000 h</td> <td>20000 h</td> </tr> <tr> <td>Lubricant amount :</td> <td>13 g</td> <td>9 g</td> </tr> <tr> <td>Lubricant type :</td> <td colspan="2">Mobil Polyrex EM</td> </tr> </tbody> </table>						Drive end	Non drive end	Bearing type :	6309 Z C3	6209 Z C3	Sealing :	Without Bearing Seal	Without Bearing Seal	Lubrication interval :	20000 h	20000 h	Lubricant amount :	13 g	9 g	Lubricant type :	Mobil Polyrex EM	
	Drive end	Non drive end																				
Bearing type :	6309 Z C3	6209 Z C3																				
Sealing :	Without Bearing Seal	Without Bearing Seal																				
Lubrication interval :	20000 h	20000 h																				
Lubricant amount :	13 g	9 g																				
Lubricant type :	Mobil Polyrex EM																					
Notes downloaded from <a href="http://dealerselectric.com">http://dealerselectric.com</a>																						
This revision replaces and cancel the previous one, which must be eliminated. (1) Looking the motor from the shaft end. (2) Measured at 1m and with tolerance of +3dB(A). (3) Approximate weight subject to changes after manufacturing process. (4) At 100% of full load.			These are average values based on tests with sinusoidal power supply, subject to the tolerances stipulated in NEMA MG-1.																			
Rev.	Changes Summary		Performed	Checked	Date																	
Performed by																						
Checked by				Page	Revision																	
Date	13/04/2019			1 / 2																		

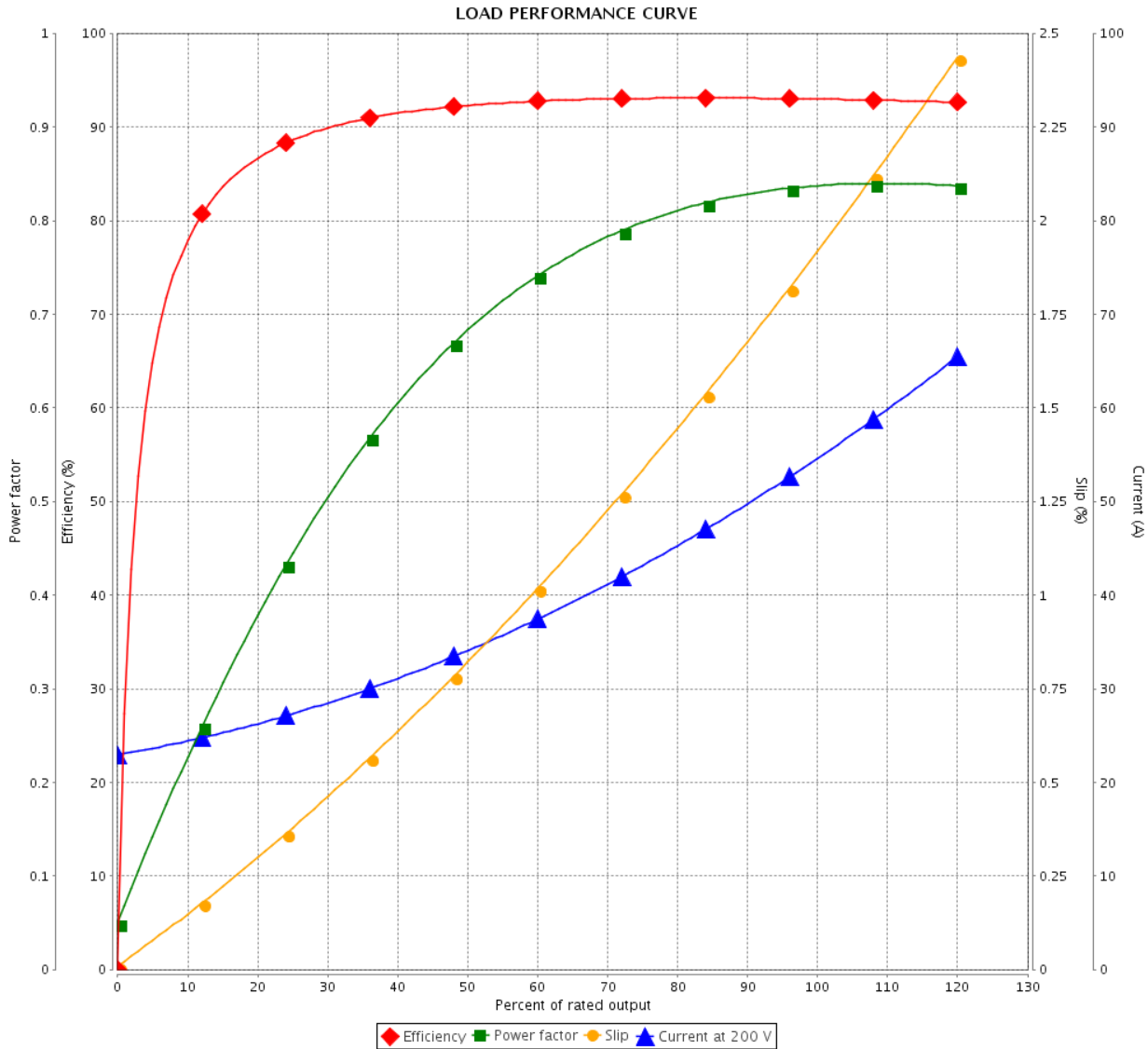
# LOAD PERFORMANCE CURVE



## Three Phase Induction Motor - Squirrel Cage

Customer : Dealers Industrial Equipment 800-469-3110  
 Customer reference : 02018OT3P256T-W40

Product line : W40 NEMA Premium Efficiency Three-Phase      Product code : 14501071  
 Catalog # : 02018OT3P256T-W40



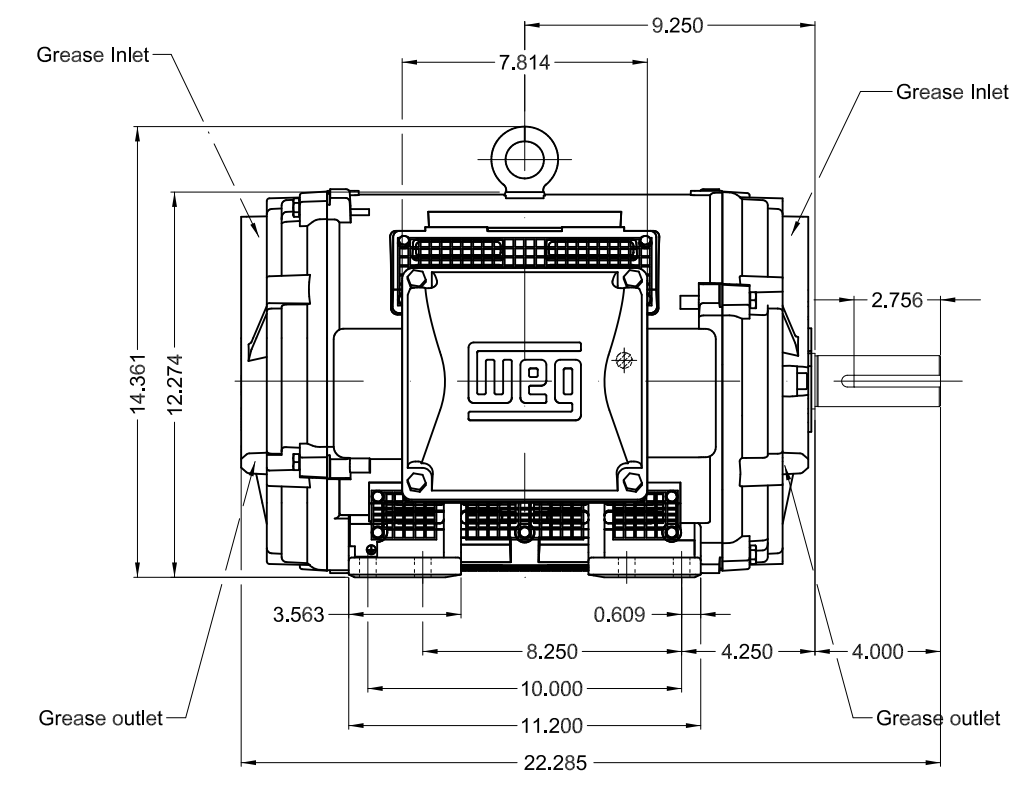
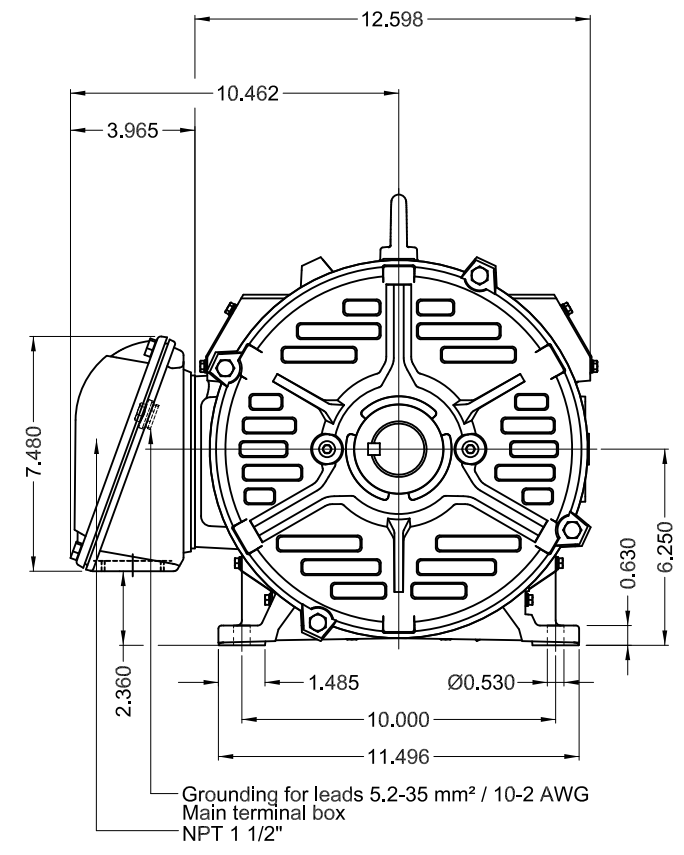
Performance : 200 V 60 Hz 4P

Rated current	: 55.4 A	Moment of inertia (J)	: 3.13 sq.ft.lb
LRC	: 6.4	Duty cycle	: Cont.(S1)
Rated torque	: 58.7 ft.lb	Insulation class	: F
Locked rotor torque	: 220 %	Service factor	: 1.25
Breakdown torque	: 280 %	Temperature rise	: 80 K
Rated speed	: 1765 rpm	Design	: B

Rev.	Changes Summary	Performed	Checked	Date
Performed by			Page 2 / 2	Revision
Checked by				
Date	13/04/2019			

Dimensões em polegada  
Dimensions in inches

THIS IS AN UPDATED REVISION, THE  
PREVIOUS ONE MUST BE DISREGARDED.



Color RAL 5009									
Painting plan 203A									
Mounting B3R(D)									
					SCALE	1:6			
ECM	LOC	SUMMARY OF MODIFICATIONS			EXECUTED	CHECKED	RELEASED	DATE	VER
EXECUTED	USERADMIN	THREE PHASE W40 MOTOR NEMA PREMIUM EFF							
CHECKED		FRAME 254/6T IP23 ODP							
RELEASED		WEG code: 14501071							
REL DT	13.04.2019	WMO	Jaragua do Sul	Product Engineering	SHEET	1 / 1			

20 HP 04 Poles 60Hz

A

