

DATA SHEET



Three Phase Induction Motor - Squirrel Cage

Customer : Dealers Industrial Equipment 800-469-3110
 Customer reference : 05018OT3H326TS-W40

Product line : W40 NEMA Premium Efficiency Three-Phase Product code : 14497313
 Catalog # : 05018OT3H326TS-W40

Frame	: 324/6TS	Locked rotor time	: 19s (cold) 11s (hot)
Output	: 50 HP (37 kW)	Temperature rise	: 80 K
Poles	: 4	Duty cycle	: Cont.(S1)
Frequency	: 60 Hz	Ambient temperature	: -20°C to +40°C
Rated voltage	: 575 V	Altitude	: 1000 m.a.s.l.
Rated current	: 46.8 A	Protection degree	: IP23
L. R. Amperes	: 295 A	Cooling method	: IC01 - ODP
LRC	: 6.3x(Code G)	Mounting	: F-1
No load current	: 18.6 A	Rotation ¹	: Both (CW and CCW)
Rated speed	: 1775 rpm	Noise level ²	: 66.0 dB(A)
Slip	: 1.39 %	Starting method	: Direct On Line
Rated torque	: 146 ft.lb	Approx. weight ³	: 511 lb
Locked rotor torque	: 240 %		
Breakdown torque	: 240 %		
Insulation class	: F		
Service factor	: 1.25		
Moment of inertia (J)	: 7.08 sq.ft.lb		
Design	: B		

Output	25%	50%	75%	100%	Foundation loads Max. traction Max. compression
Efficiency (%)	94.0	94.1	94.5	94.5	
Power Factor	0.44	0.70	0.80	0.84	

	<u>Drive end</u>	<u>Non drive end</u>
Bearing type	: 6312 Z C3	: 6211 Z C3
Sealing	: Without Bearing Seal	: Without Bearing Seal
Lubrication interval	: 20000 h	: 20000 h
Lubricant amount	: 21 g	: 11 g
Lubricant type	: Mobil Polyrex EM	

Notes
 downloaded from <http://dealerselectric.com>

This revision replaces and cancel the previous one, which must be eliminated.
 (1) Looking the motor from the shaft end.
 (2) Measured at 1m and with tolerance of +3dB(A).
 (3) Approximate weight subject to changes after manufacturing process.
 (4) At 100% of full load.

These are average values based on tests with sinusoidal power supply, subject to the tolerances stipulated in NEMA MG-1.

Rev.	Changes Summary	Performed	Checked	Date
Performed by				
Checked by			Page	Revision
Date	14/04/2019		1 / 2	

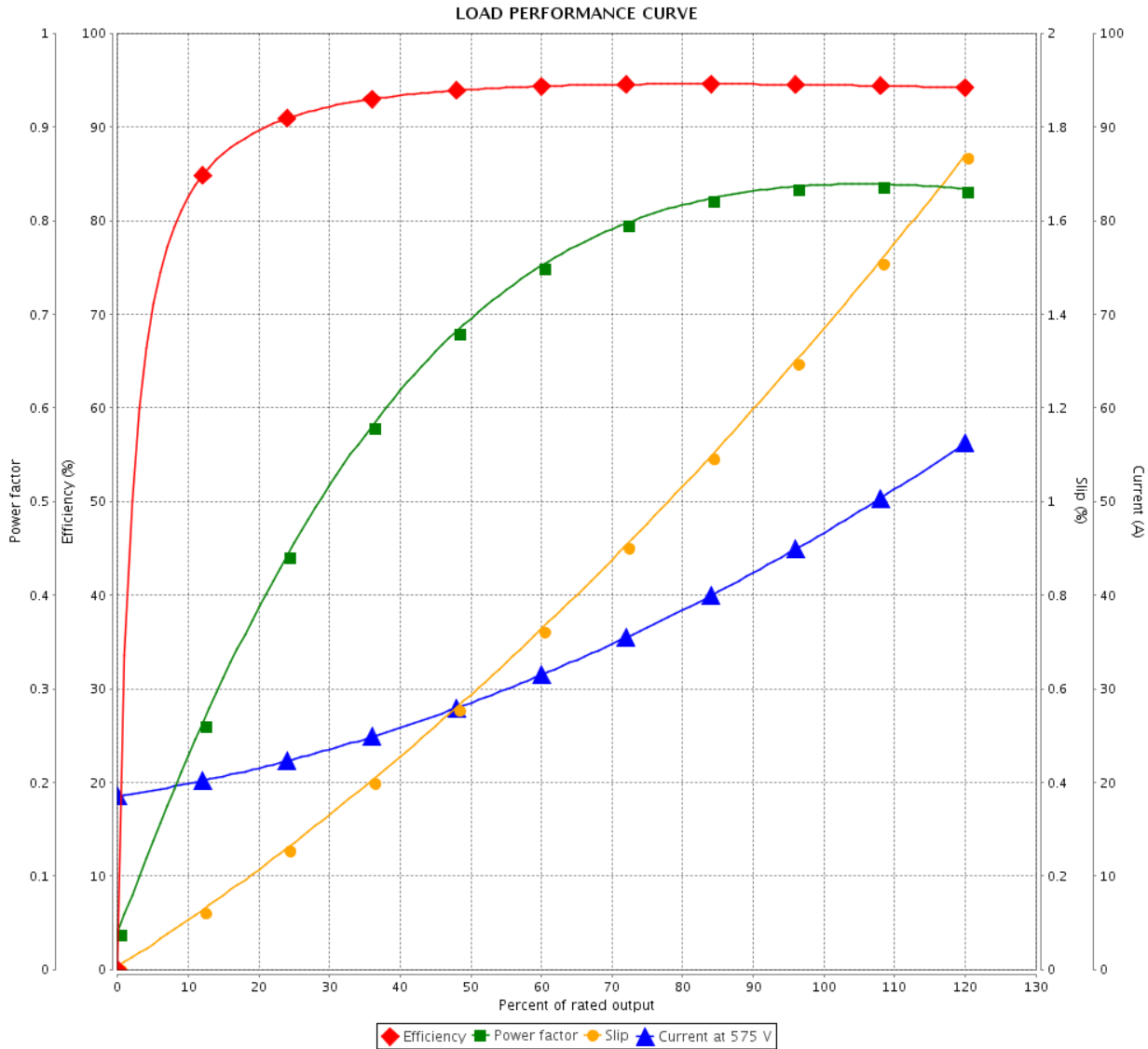
LOAD PERFORMANCE CURVE



Three Phase Induction Motor - Squirrel Cage

Customer : Dealers Industrial Equipment 800-469-3110
 Customer reference : 05018OT3H326TS-W40

Product line : W40 NEMA Premium Efficiency Three-Phase Product code : 14497313
 Catalog # : 05018OT3H326TS-W40



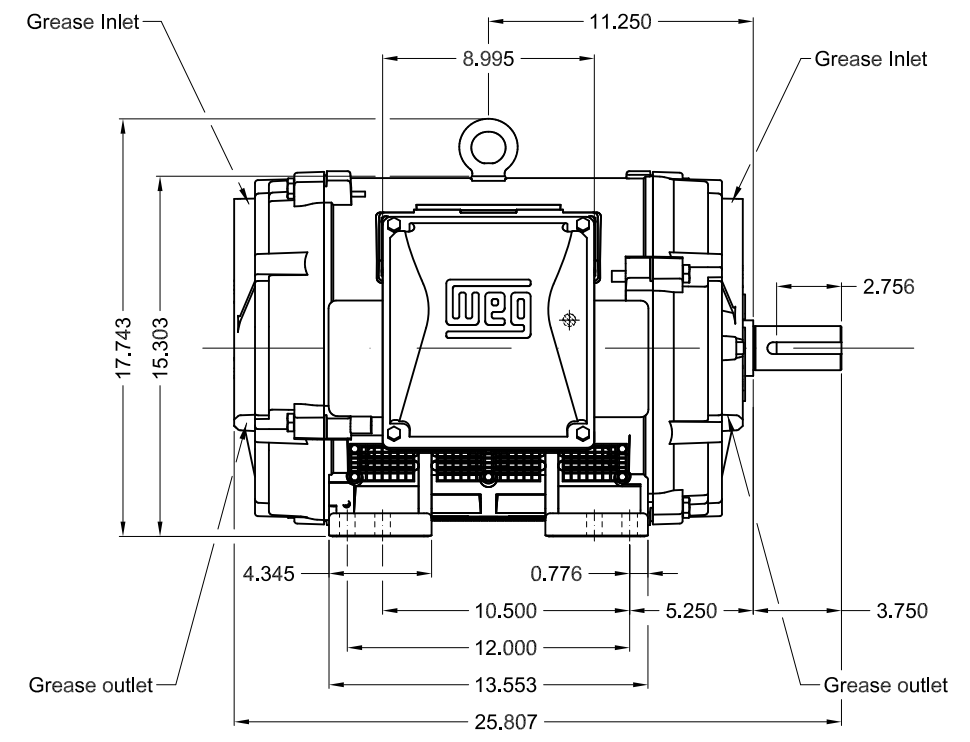
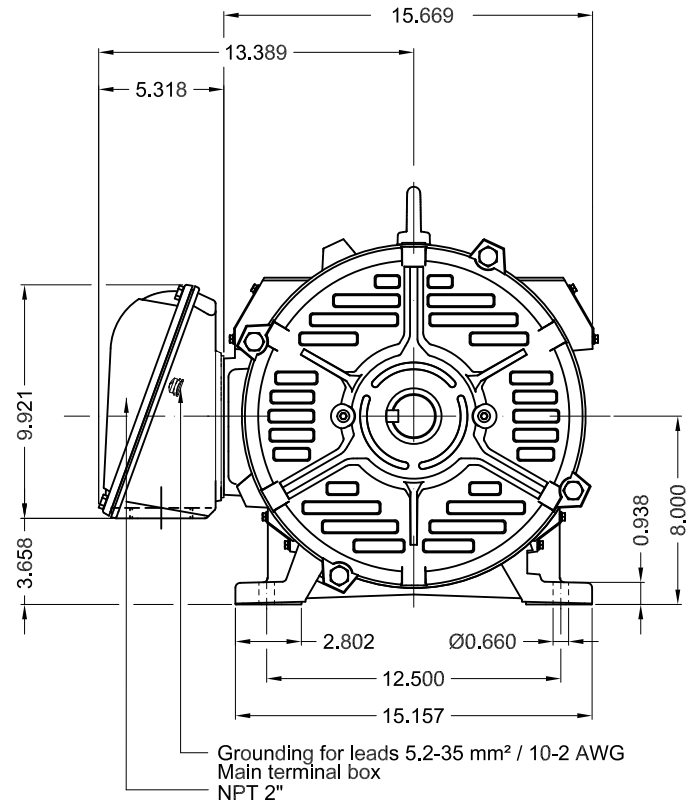
Performance : 575 V 60 Hz 4P

Rated current : 46.8 A	Moment of inertia (J) : 7.08 sq.ft.lb
LRC : 6.3	Duty cycle : Cont.(S1)
Rated torque : 146 ft.lb	Insulation class : F
Locked rotor torque : 240 %	Service factor : 1.25
Breakdown torque : 240 %	Temperature rise : 80 K
Rated speed : 1775 rpm	Design : B

Rev.	Changes Summary	Performed	Checked	Date
Performed by			Page 2 / 2	Revision
Checked by				
Date	14/04/2019			

Dimensões em polegada
Dimensions in inches

THIS IS AN UPDATED REVISION, THE
PREVIOUS ONE MUST BE DISREGARDED.



TS shaft end		Color RAL 5009		Painting plan 203A		Mounting B3R(D)		SCALE		1:8	
ECM	LOC	SUMMARY OF MODIFICATIONS				EXECUTED	CHECKED	RELEASED	DATE	VER	
EXECUTED	USERADMIN	THREE PHASE W40 MOTOR NEMA PREMIUM EFF									
CHECKED		FRAME 324/6TS IP23 ODP									
RELEASED		WEG code: 14497313									
REL DT	14.04.2019	WMO	Jaragua do Sul	Product Engineering	SHEET	1 / 1					

50 HP 04 Poles 60Hz

A

