

DATA SHEET



Three Phase Induction Motor - Squirrel Cage

Customer : Dealers Industrial Equipment 800-469-3110
 Customer reference : 04036OT3V286TS-W40

Product line : W40 NEMA Premium Efficiency Three-Phase Product code : 14496993
 Catalog # : 04036OT3V286TS-W40

Frame	: 284/6TS	Locked rotor time	: 14s (cold) 8s (hot)
Output	: 40 HP (30 kW)	Temperature rise	: 80 K
Poles	: 2	Duty cycle	: Cont.(S1)
Frequency	: 60 Hz	Ambient temperature	: -20°C to +40°C
Rated voltage	: 200/400 V	Altitude	: 1000 m.a.s.l.
Rated current	: 108/53.8 A	Protection degree	: IP23
L. R. Amperes	: 700/350 A	Cooling method	: IC01 - ODP
LRC	: 6.5x(Code G)	Mounting	: F-1
No load current	: 34.3/17.1 A	Rotation ¹	: Both (CW and CCW)
Rated speed	: 3540 rpm	Noise level ²	: 73.0 dB(A)
Slip	: 1.67 %	Starting method	: Direct On Line
Rated torque	: 58.5 ft.lb	Approx. weight ³	: 370 lb
Locked rotor torque	: 190 %		
Breakdown torque	: 260 %		
Insulation class	: F		
Service factor	: 1.25		
Moment of inertia (J)	: 2.02 sq.ft.lb		
Design	: B		

Output	25%	50%	75%	100%	Foundation loads
Efficiency (%)	91.5	91.7	92.4	92.4	Max. traction
Power Factor	0.51	0.76	0.84	0.87	Max. compression

		<u>Drive end</u>	<u>Non drive end</u>
Bearing type	:	6311 Z C3	6211 Z C3
Sealing	:	Without Bearing Seal	Without Bearing Seal
Lubrication interval	:	20000 h	20000 h
Lubricant amount	:	18 g	11 g
Lubricant type	:	Mobil Polyrex EM	

Notes
 downloaded from <http://dealerselectric.com>

This revision replaces and cancel the previous one, which must be eliminated.
 (1) Looking the motor from the shaft end.
 (2) Measured at 1m and with tolerance of +3dB(A).
 (3) Approximate weight subject to changes after manufacturing process.
 (4) At 100% of full load.

These are average values based on tests with sinusoidal power supply, subject to the tolerances stipulated in NEMA MG-1.

Rev.	Changes Summary	Performed	Checked	Date
Performed by		Page		Revision
Checked by		1 / 2		
Date	14/04/2019			

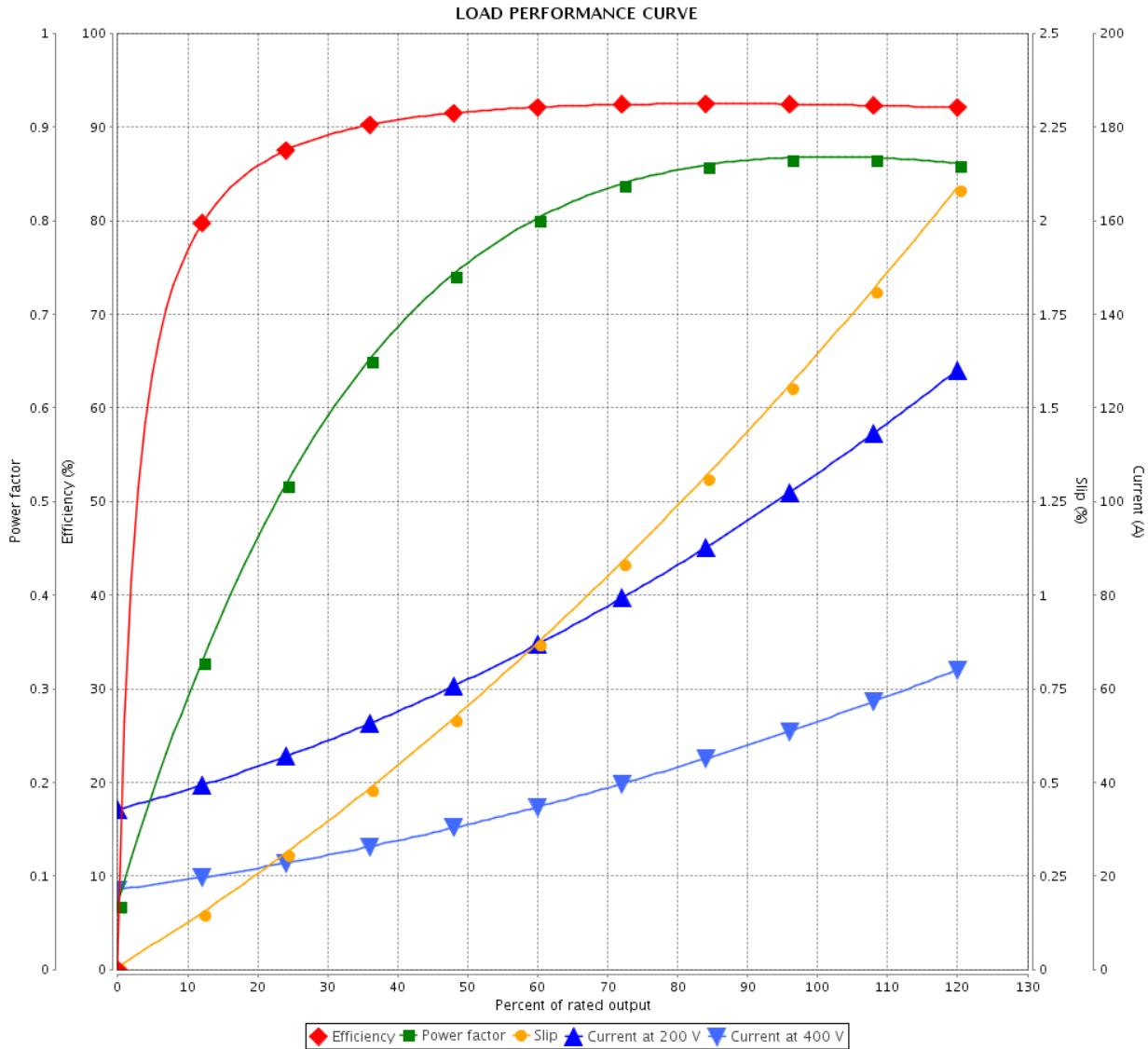
LOAD PERFORMANCE CURVE



Three Phase Induction Motor - Squirrel Cage

Customer : Dealers Industrial Equipment 800-469-3110
 Customer reference : 04036OT3V286TS-W40

Product line : W40 NEMA Premium Efficiency Three-Phase Product code : 14496993
 Catalog # : 04036OT3V286TS-W40



Performance : 200/400 V 60 Hz 2P

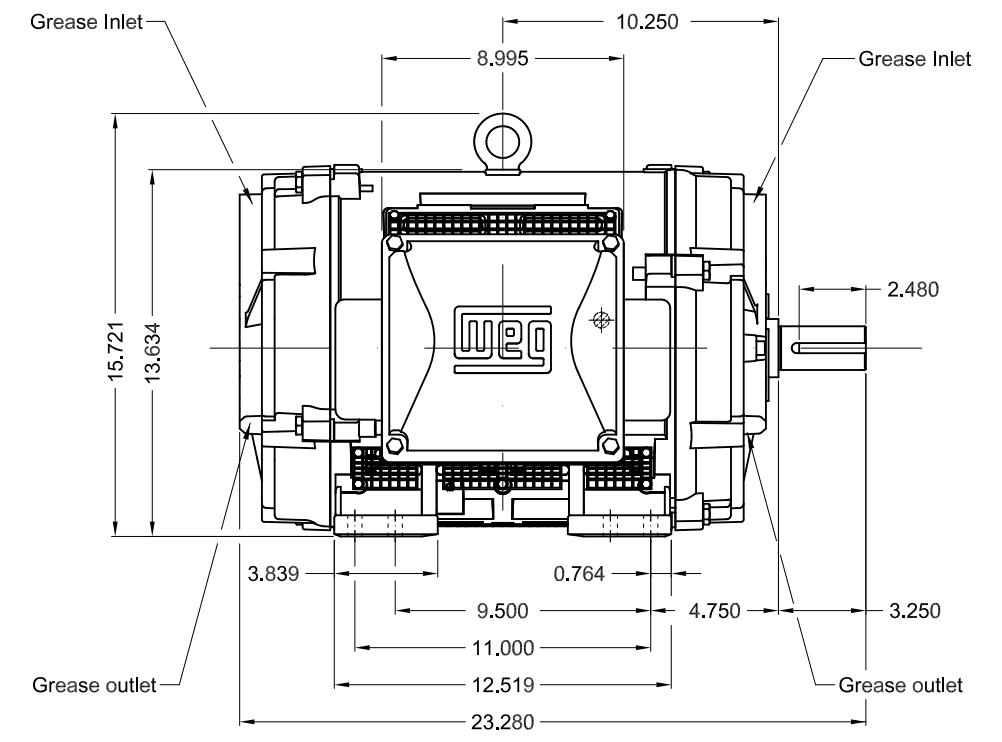
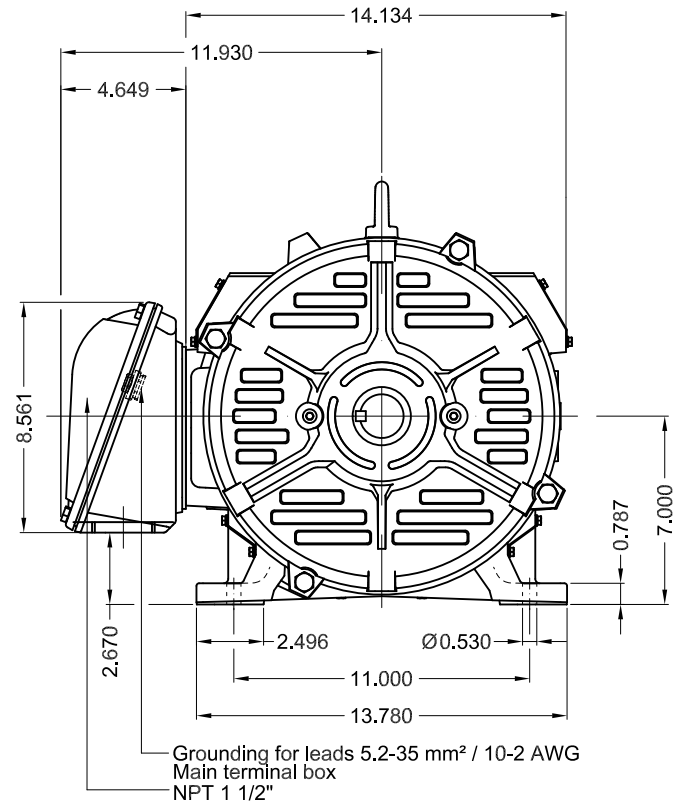
Rated current : 108/53.8 A
 LRC : 6.5
 Rated torque : 58.5 ft.lb
 Locked rotor torque : 190 %
 Breakdown torque : 260 %
 Rated speed : 3540 rpm

Moment of inertia (J) : 2.02 sq.ft.lb
 Duty cycle : Cont.(S1)
 Insulation class : F
 Service factor : 1.25
 Temperature rise : 80 K
 Design : B

Rev.	Changes Summary	Performed	Checked	Date
Performed by			Page 2 / 2	Revision
Checked by				
Date	14/04/2019			

Dimensões em polegada
Dimensions in inches

THIS IS AN UPDATED REVISION, THE
PREVIOUS ONE MUST BE DISREGARDED.



Color RAL 5009		Painting plan 203A		Mounting B3R(D)		SCALE		1:7	
ECM	LOC	SUMMARY OF MODIFICATIONS			EXECUTED	CHECKED	RELEASED	DATE	VER
EXECUTED	USERADMIN	THREE PHASE W40 MOTOR NEMA PREMIUM EFF							
CHECKED		FRAME 284/6TS IP23 ODP							
RELEASED		WEG code: 14496993							
REL DT	14.04.2019	WMO	Jaragua do Sul	Product Engineering	SHEET	1 / 1			

40 HP 02 Poles 60Hz

A

