

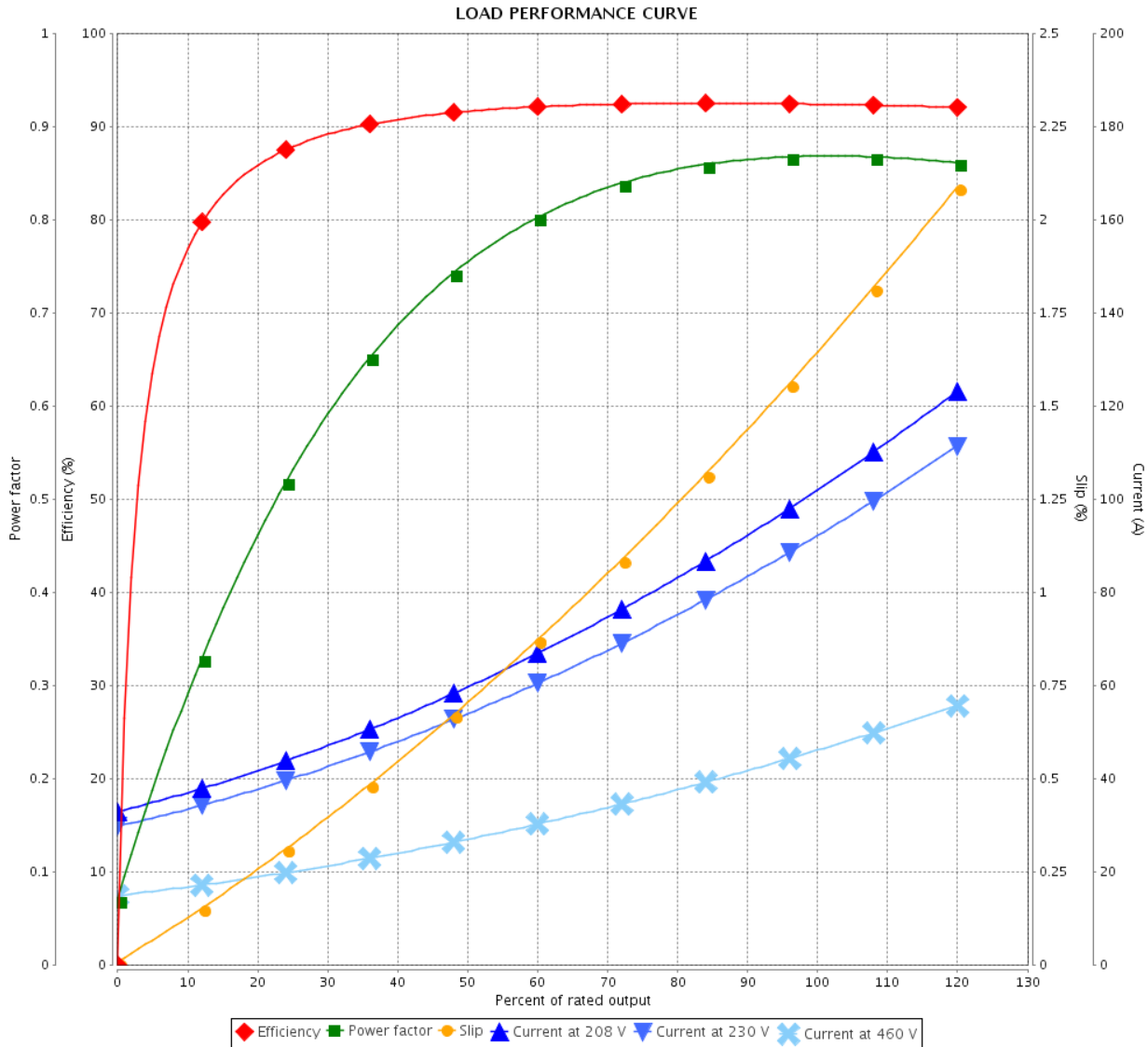
LOAD PERFORMANCE CURVE



Three Phase Induction Motor - Squirrel Cage

Customer : Dealers Industrial Equipment 800-469-3110
 Customer reference : 04036OT3E286TSC-W40

Product line : W40 NEMA Premium Efficiency Three-Phase Product code : 14496989
 Catalog # : 04036OT3E286TSC-W40



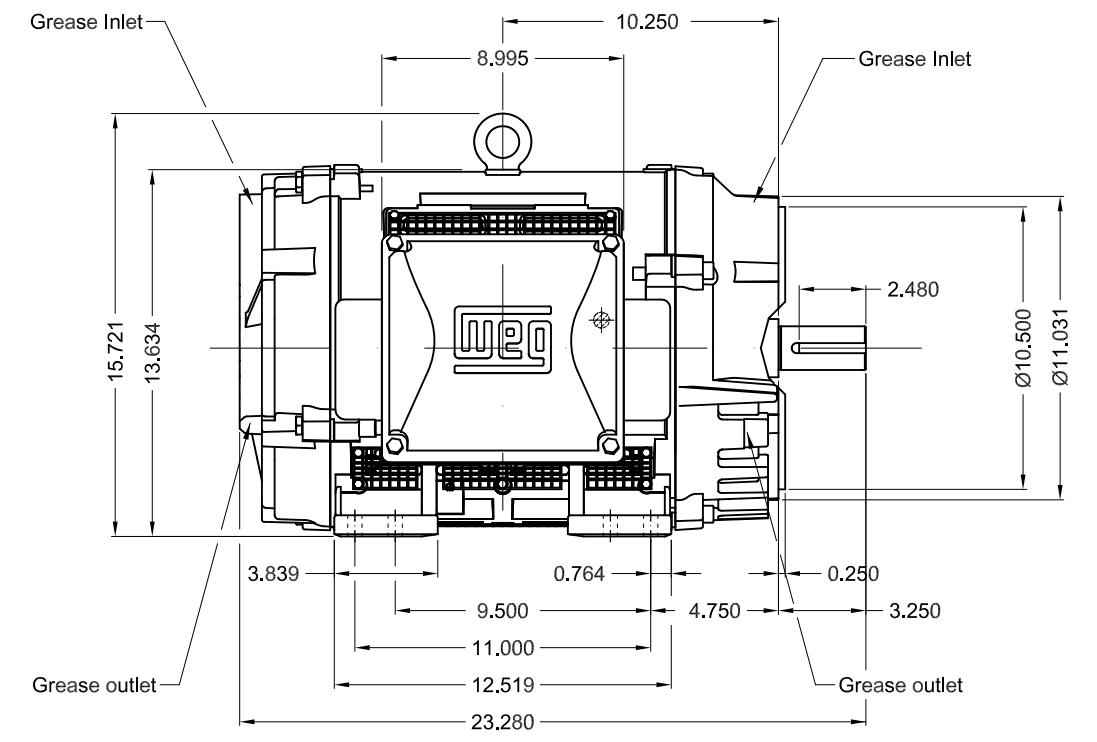
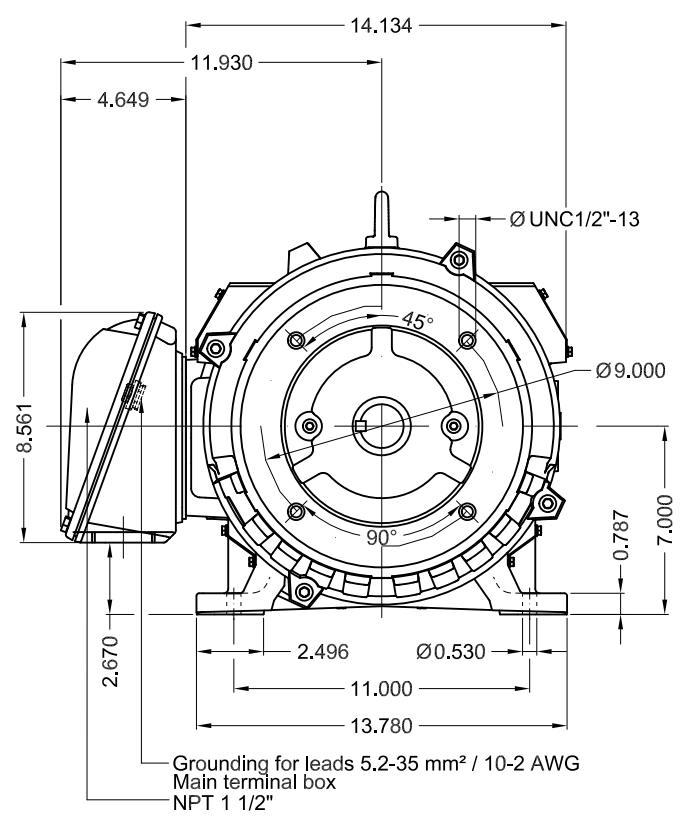
Performance : 208-230/460 V 60 Hz 2P

| | |
|---------------------------------|---------------------------------------|
| Rated current : 104-93.6/46.8 A | Moment of inertia (J) : 2.02 sq.ft.lb |
| LRC : 6.5 | Duty cycle : Cont.(S1) |
| Rated torque : 58.5 ft.lb | Insulation class : F |
| Locked rotor torque : 190 % | Service factor : 1.25 |
| Breakdown torque : 260 % | Temperature rise : 80 K |
| Rated speed : 3540 rpm | Design : B |

| Rev. | Changes Summary | Performed | Checked | Date |
|--------------|-----------------|-----------|---------------|----------|
| | | | | |
| Performed by | | | Page 2 / 2 | Revision |
| Checked by | | | | |
| Date | 14/04/2019 | | | |

Dimensões em polegada
Dimensions in inches

THIS IS AN UPDATED REVISION, THE
PREVIOUS ONE MUST BE DISREGARDED.



| | | | | | | | | | | |
|--------------------|--|------------|--|--|--|---------------------|---------|----------|------|-----|
| Bearing cap | | | | | | SCALE | | 1:7 | | |
| Color RAL 5009 | | | | | | | | | | |
| Painting plan 203A | | | | | | | | | | |
| Mounting B34R(D) | | | | | | | | | | |
| | | | | | | | | | | |
| ECM | | LOC | | SUMMARY OF MODIFICATIONS | | EXECUTED | CHECKED | RELEASED | DATE | VER |
| EXECUTED | | USERADMIN | | THREE PHASE W40 MOTOR NEMA PREMIUM EFF | | | | | | |
| CHECKED | | | | FRAME 284/6TSC IP23 ODP | | | | | | |
| RELEASED | | | | WEG code: 14496989 | | | | | | |
| REL DT | | 14.04.2019 | | WMO Jaragua do Sul | | Product Engineering | SHEET | 1 / 1 | | |

40 HP 02 Poles 60Hz

A

