

# DATA SHEET



## Three Phase Induction Motor - Squirrel Cage

Customer : Dealers Industrial Equipment 800-469-3110		Customer reference : 03036OT3V284TSC-W40				
Product line : W40 NEMA Premium Efficiency Three-Phase		Product code : 14496684				
		Catalog # : 03036OT3V284TSC-W40				
Frame : 284TSC	Locked rotor time : 18s (cold) 10s (hot)	Output : 30 HP (22 kW)	Temperature rise : 80 K			
Poles : 2	Duty cycle : Cont.(S1)	Frequency : 60 Hz	Ambient temperature : -20°C to +40°C			
Rated voltage : 200/400 V	Altitude : 1000 m.a.s.l.	Rated current : 80.5/40.2 A	Protection degree : IP23			
L. R. Amperes : 507/254 A	Cooling method : IC01 - ODP	LRC : 6.3x(Code G)	Mounting : F-1			
No load current : 29.7/14.8 A	Rotation <sup>1</sup> : Both (CW and CCW)	Rated speed : 3545 rpm	Noise level <sup>2</sup> : 73.0 dB(A)			
Slip : 1.53 %	Starting method : Direct On Line	Rated torque : 43.8 ft.lb	Approx. weight <sup>3</sup> : 324 lb			
Locked rotor torque : 180 %		Breakdown torque : 280 %				
Insulation class : F		Service factor : 1.25				
Moment of inertia (J) : 1.59 sq.ft.lb		Design : B				
Output	25%	50%	75%	100%	Foundation loads	
Efficiency (%)	90.0	90.2	91.7	91.7	Max. traction	
Power Factor	0.47	0.73	0.82	0.86	Max. compression	
		<u>Drive end</u>		<u>Non drive end</u>		
Bearing type	:	6311 Z C3		6211 Z C3		
Sealing	:	Without Bearing Seal		Without Bearing Seal		
Lubrication interval	:	20000 h		20000 h		
Lubricant amount	:	18 g		11 g		
Lubricant type	:	Mobil Polyrex EM				
Notes downloaded from <a href="http://dealerselectric.com">http://dealerselectric.com</a>						
This revision replaces and cancel the previous one, which must be eliminated. (1) Looking the motor from the shaft end. (2) Measured at 1m and with tolerance of +3dB(A). (3) Approximate weight subject to changes after manufacturing process. (4) At 100% of full load.			These are average values based on tests with sinusoidal power supply, subject to the tolerances stipulated in NEMA MG-1.			
Rev.	Changes Summary			Performed	Checked	Date
Performed by						
Checked by					Page	Revision
Date	14/04/2019				1 / 2	

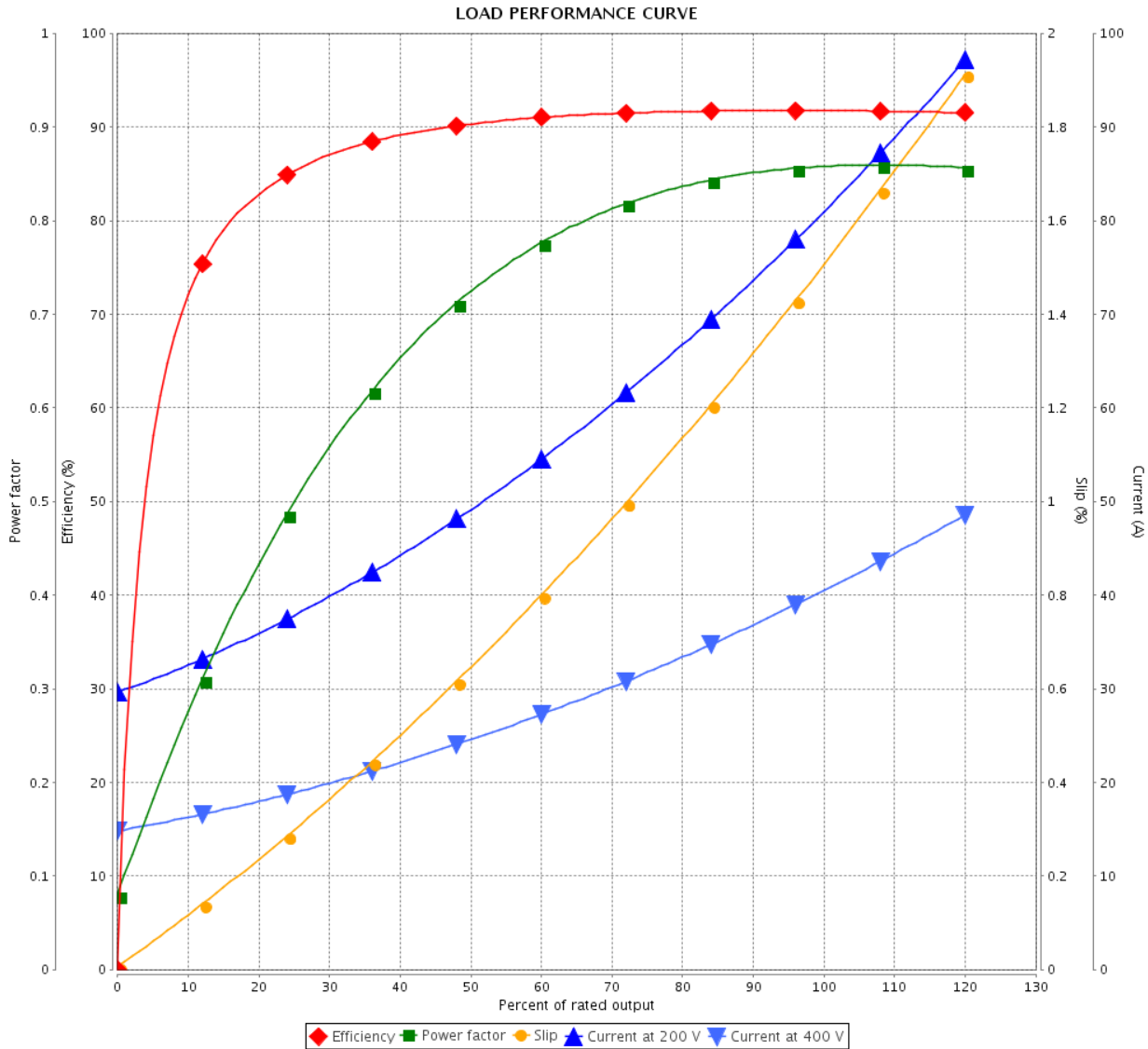
# LOAD PERFORMANCE CURVE



## Three Phase Induction Motor - Squirrel Cage

Customer : Dealers Industrial Equipment 800-469-3110  
 Customer reference : 03036OT3V284TSC-W40

Product line : W40 NEMA Premium Efficiency Three-Phase      Product code : 14496684  
 Catalog # : 03036OT3V284TSC-W40



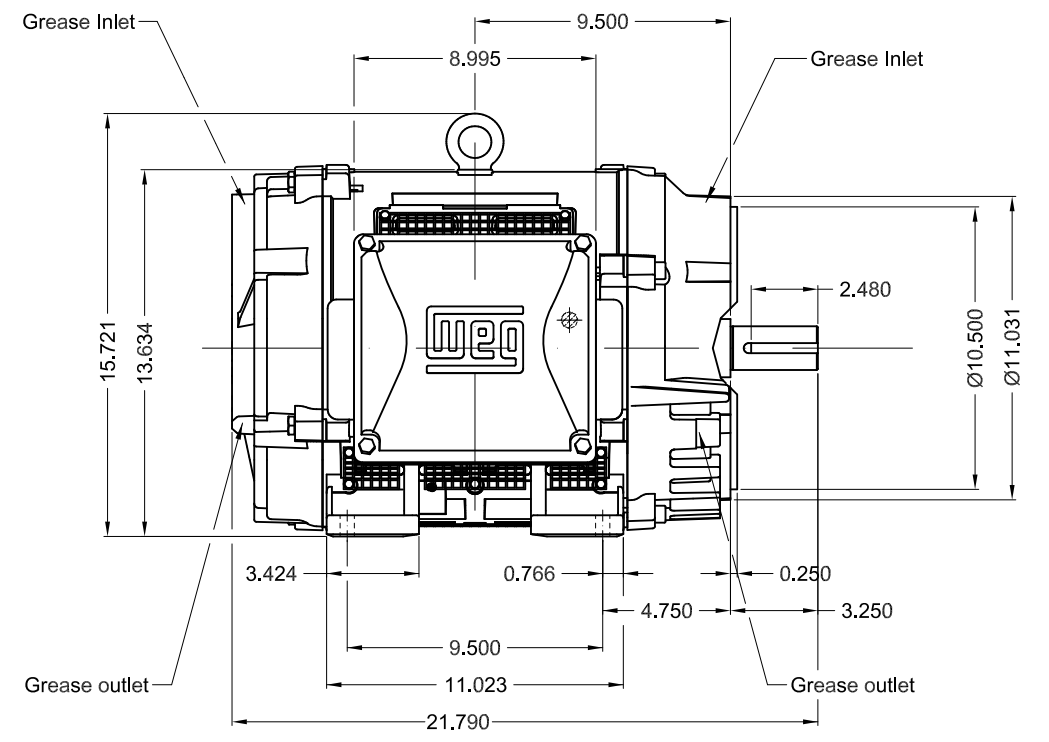
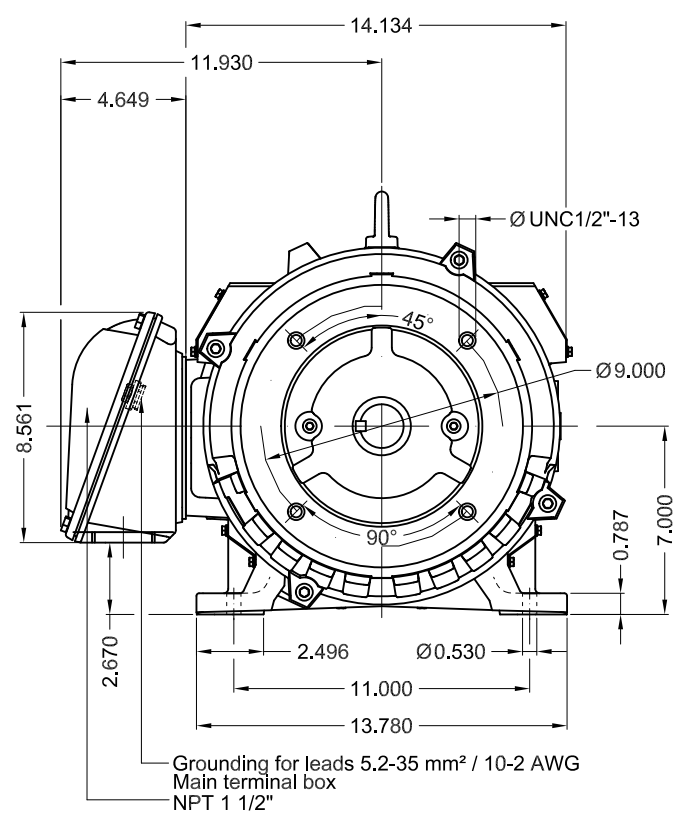
Performance : 200/400 V 60 Hz 2P

Rated current : 80.5/40.2 A	Moment of inertia (J) : 1.59 sq.ft.lb
LRC : 6.3	Duty cycle : Cont.(S1)
Rated torque : 43.8 ft.lb	Insulation class : F
Locked rotor torque : 180 %	Service factor : 1.25
Breakdown torque : 280 %	Temperature rise : 80 K
Rated speed : 3545 rpm	Design : B

Rev.	Changes Summary	Performed	Checked	Date
Performed by			Page 2 / 2	Revision
Checked by				
Date	14/04/2019			

Dimensões em polegada  
Dimensions in inches

THIS IS AN UPDATED REVISION, THE  
PREVIOUS ONE MUST BE DISREGARDED.



Bearing cap																																														
Color RAL 5009																																														
Painting plan 203A																																														
Mounting B34R(D)																																														
						SCALE	1:7																																							
<table border="1"> <thead> <tr> <th>ECM</th> <th>LOC</th> <th>SUMMARY OF MODIFICATIONS</th> <th>EXECUTED</th> <th>CHECKED</th> <th>RELEASED</th> <th>DATE</th> <th>VER</th> </tr> </thead> <tbody> <tr> <td>EXECUTED</td> <td>USERADMIN</td> <td>THREE PHASE W40 MOTOR NEMA PREMIUM EFF</td> <td></td> <td></td> <td></td> <td></td> <td></td> </tr> <tr> <td>CHECKED</td> <td></td> <td>FRAME 284TSC IP23 ODP</td> <td></td> <td></td> <td></td> <td></td> <td></td> </tr> <tr> <td>RELEASED</td> <td></td> <td>WEG code: 14496684</td> <td></td> <td></td> <td></td> <td></td> <td></td> </tr> <tr> <td>REL DT</td> <td>14.04.2019</td> <td>WMO Jaragua do Sul</td> <td>Product Engineering</td> <td>SHEET</td> <td>1 / 1</td> <td></td> <td></td> </tr> </tbody> </table>							ECM	LOC	SUMMARY OF MODIFICATIONS	EXECUTED	CHECKED	RELEASED	DATE	VER	EXECUTED	USERADMIN	THREE PHASE W40 MOTOR NEMA PREMIUM EFF						CHECKED		FRAME 284TSC IP23 ODP						RELEASED		WEG code: 14496684						REL DT	14.04.2019	WMO Jaragua do Sul	Product Engineering	SHEET	1 / 1		
ECM	LOC	SUMMARY OF MODIFICATIONS	EXECUTED	CHECKED	RELEASED	DATE	VER																																							
EXECUTED	USERADMIN	THREE PHASE W40 MOTOR NEMA PREMIUM EFF																																												
CHECKED		FRAME 284TSC IP23 ODP																																												
RELEASED		WEG code: 14496684																																												
REL DT	14.04.2019	WMO Jaragua do Sul	Product Engineering	SHEET	1 / 1																																									

30 HP 02 Poles 60Hz

A

