

DATA SHEET



Three Phase Induction Motor - Squirrel Cage

Customer : Dealers Industrial Equipment 800-469-3110		Customer reference : 03018OT3V286TC-W40				
Product line : W40 NEMA Premium Efficiency Three-Phase		Product code : 14495863	Catalog # : 03018OT3V286TC-W40			
Frame : 284/6TC Output : 30 HP (22 kW) Poles : 4 Frequency : 60 Hz Rated voltage : 200/400 V Rated current : 80.3/40.1 A L. R. Amperes : 530/265 A LRC : 6.6x(Code G) No load current : 33.3/16.7 A Rated speed : 1770 rpm Slip : 1.67 % Rated torque : 87.8 ft.lb Locked rotor torque : 280 % Breakdown torque : 280 % Insulation class : F Service factor : 1.25 Moment of inertia (J) : 4.52 sq.ft.lb Design : B	Locked rotor time : 32s (cold) 18s (hot) Temperature rise : 80 K Duty cycle : Cont.(S1) Ambient temperature : -20°C to +40°C Altitude : 1000 m.a.s.l. Protection degree : IP23 Cooling method : IC01 - ODP Mounting : F-1 Rotation ¹ : Both (CW and CCW) Noise level ² : 64.0 dB(A) Starting method : Direct On Line Approx. weight ³ : 405 lb					
Output	25%	50%	75%	100%	Foundation loads	
Efficiency (%)	93.4	93.6	94.1	94.1	Max. traction	
Power Factor	0.44	0.70	0.80	0.84	Max. compression	
		<u>Drive end</u>		<u>Non drive end</u>		
Bearing type	:	6311 Z C3		6211 Z C3		
Sealing	:	Without Bearing Seal		Without Bearing Seal		
Lubrication interval	:	20000 h		20000 h		
Lubricant amount	:	18 g		11 g		
Lubricant type	:	Mobil Polyrex EM				
Notes downloaded from http://dealerselectric.com						
This revision replaces and cancel the previous one, which must be eliminated. (1) Looking the motor from the shaft end. (2) Measured at 1m and with tolerance of +3dB(A). (3) Approximate weight subject to changes after manufacturing process. (4) At 100% of full load.			These are average values based on tests with sinusoidal power supply, subject to the tolerances stipulated in NEMA MG-1.			
Rev.	Changes Summary			Performed	Checked	Date
Performed by						
Checked by					Page	Revision
Date	14/04/2019				1 / 2	

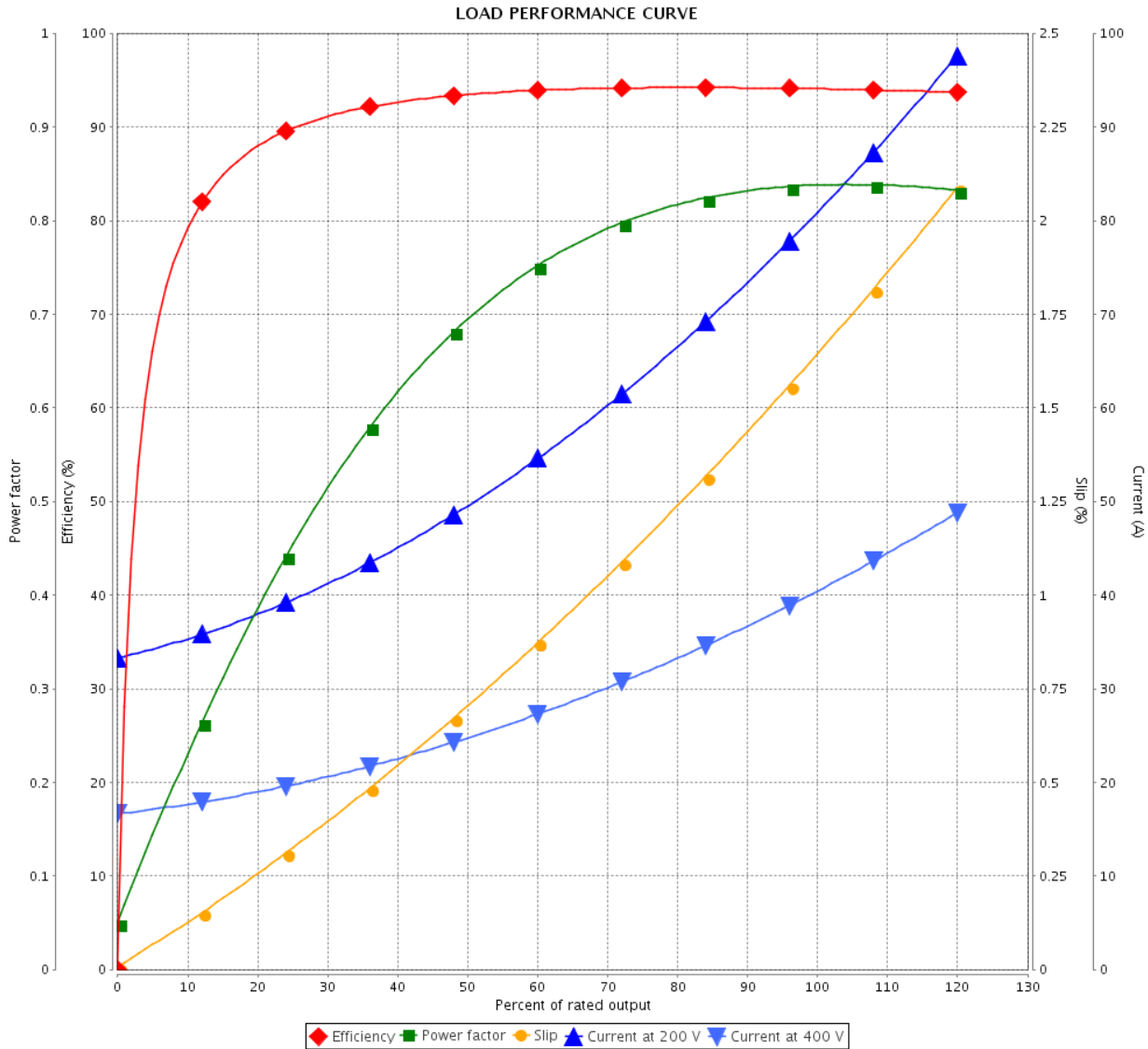
LOAD PERFORMANCE CURVE



Three Phase Induction Motor - Squirrel Cage

Customer : Dealers Industrial Equipment 800-469-3110
 Customer reference : 03018OT3V286TC-W40

Product line : W40 NEMA Premium Efficiency Three-Phase Product code : 14495863
 Catalog # : 03018OT3V286TC-W40



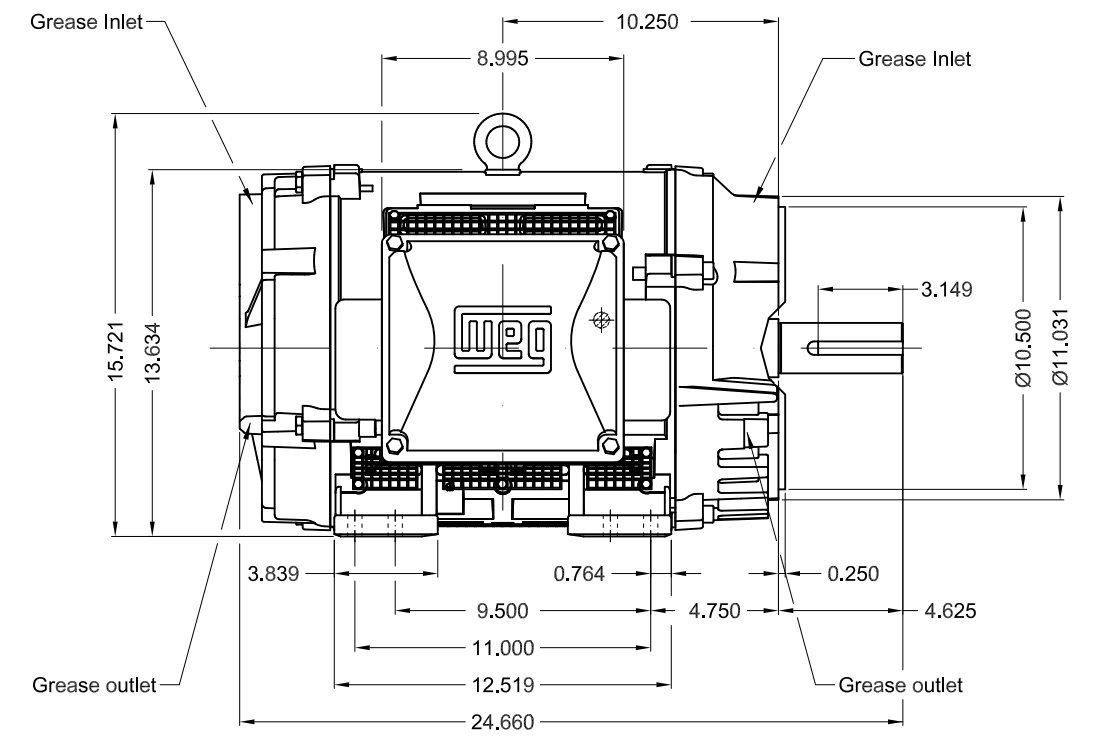
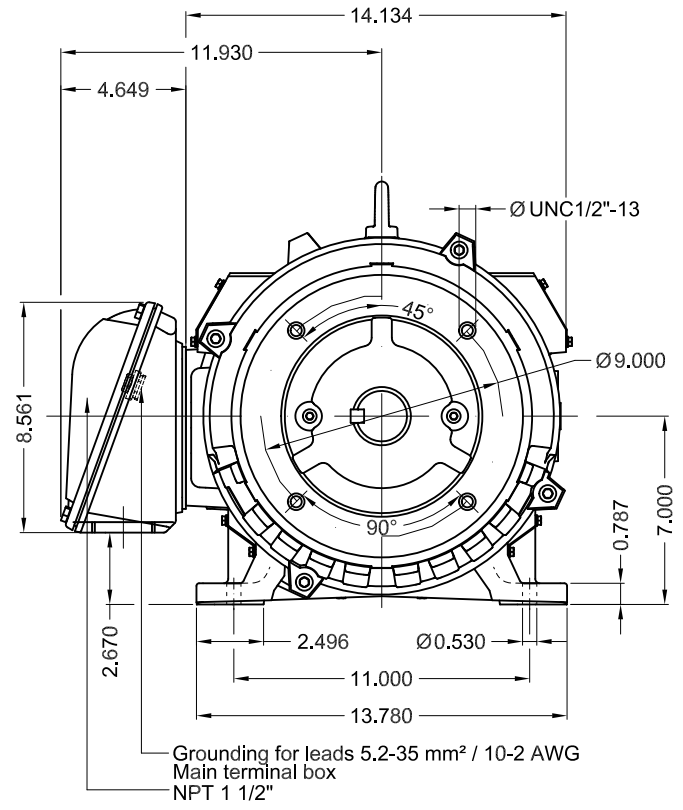
Performance : 200/400 V 60 Hz 4P

Rated current : 80.3/40.1 A	Moment of inertia (J) : 4.52 sq.ft.lb
LRC : 6.6	Duty cycle : Cont.(S1)
Rated torque : 87.8 ft.lb	Insulation class : F
Locked rotor torque : 280 %	Service factor : 1.25
Breakdown torque : 280 %	Temperature rise : 80 K
Rated speed : 1770 rpm	Design : B

Rev.	Changes Summary	Performed	Checked	Date
Performed by			Page 2 / 2	Revision
Checked by				
Date	14/04/2019			

Dimensões em polegada
Dimensions in inches

THIS IS AN UPDATED REVISION, THE
PREVIOUS ONE MUST BE DISREGARDED.



Bearing cap											
Color RAL 5009											
Painting plan 203A											
Mounting B34R(D)											
								SCALE	1:7		
ECM	LOC	SUMMARY OF MODIFICATIONS					EXECUTED	CHECKED	RELEASED	DATE	VER
EXECUTED	USERADMIN	THREE PHASE W40 MOTOR NEMA PREMIUM EFF									
CHECKED		FRAME 284/6TC IP23 ODP									
RELEASED		WEG code: 14495863									
REL DT	14.04.2019	WMO	Jaragua do Sul	Product Engineering	SHEET	1 / 1					

30 HP 04 Poles 60Hz

A