

# DATA SHEET



## Three Phase Induction Motor - Squirrel Cage

Customer : Dealers Industrial Equipment 800-469-3110  
 Customer reference : 03018OT3H286TC-W40

Product line : W40 NEMA Premium Efficiency Three-Phase      Product code : 14495774  
 Catalog # : 03018OT3H286TC-W40

Frame	: 284/6TC	Locked rotor time	: 32s (cold) 18s (hot)
Output	: 30 HP (22 kW)	Temperature rise	: 80 K
Poles	: 4	Duty cycle	: Cont.(S1)
Frequency	: 60 Hz	Ambient temperature	: -20°C to +40°C
Rated voltage	: 575 V	Altitude	: 1000 m.a.s.l.
Rated current	: 27.9 A	Protection degree	: IP23
L. R. Amperes	: 184 A	Cooling method	: IC01 - ODP
LRC	: 6.6x(Code G)	Mounting	: F-1
No load current	: 11.6 A	Rotation <sup>1</sup>	: Both (CW and CCW)
Rated speed	: 1770 rpm	Noise level <sup>2</sup>	: 64.0 dB(A)
Slip	: 1.67 %	Starting method	: Direct On Line
Rated torque	: 87.8 ft.lb	Approx. weight <sup>3</sup>	: 404 lb
Locked rotor torque	: 280 %		
Breakdown torque	: 280 %		
Insulation class	: F		
Service factor	: 1.25		
Moment of inertia (J)	: 4.52 sq.ft.lb		
Design	: B		

Output	25%	50%	75%	100%	Foundation loads
Efficiency (%)	93.4	93.6	94.1	94.1	Max. traction
Power Factor	0.44	0.70	0.80	0.84	Max. compression

		Drive end	Non drive end
Bearing type	:	6311 Z C3	6211 Z C3
Sealing	:	Without Bearing Seal	Without Bearing Seal
Lubrication interval	:	20000 h	20000 h
Lubricant amount	:	18 g	11 g
Lubricant type	:	Mobil Polyrex EM	

Notes  
 downloaded from <http://dealerselectric.com>

This revision replaces and cancel the previous one, which must be eliminated.  
 (1) Looking the motor from the shaft end.  
 (2) Measured at 1m and with tolerance of +3dB(A).  
 (3) Approximate weight subject to changes after manufacturing process.  
 (4) At 100% of full load.

These are average values based on tests with sinusoidal power supply, subject to the tolerances stipulated in NEMA MG-1.

Rev.	Changes Summary	Performed	Checked	Date
Performed by		Page		Revision
Checked by		1 / 2		
Date	14/04/2019			

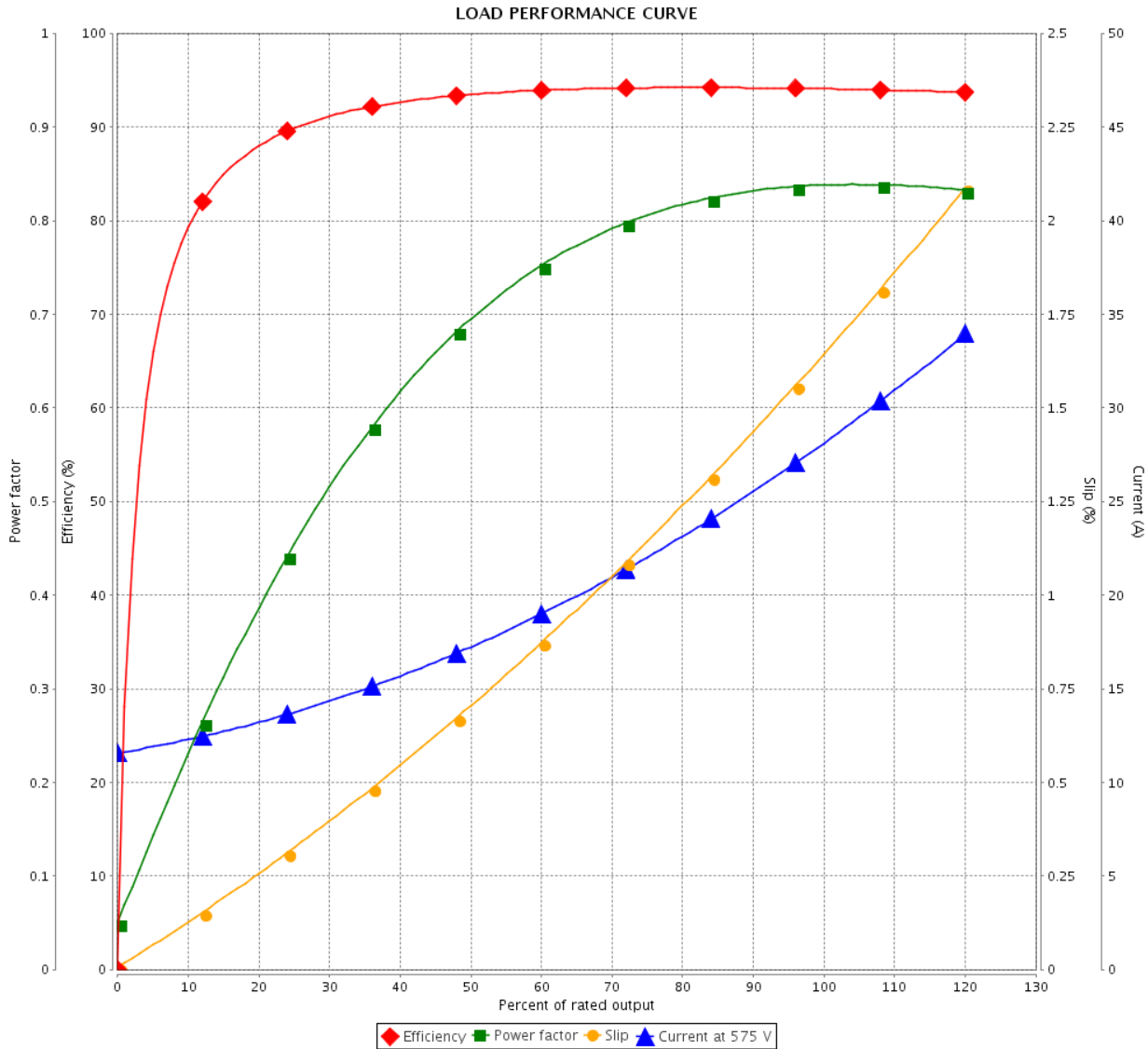
# LOAD PERFORMANCE CURVE



## Three Phase Induction Motor - Squirrel Cage

Customer : Dealers Industrial Equipment 800-469-3110  
 Customer reference : 03018OT3H286TC-W40

Product line : W40 NEMA Premium Efficiency Three-Phase      Product code : 14495774  
 Catalog # : 03018OT3H286TC-W40



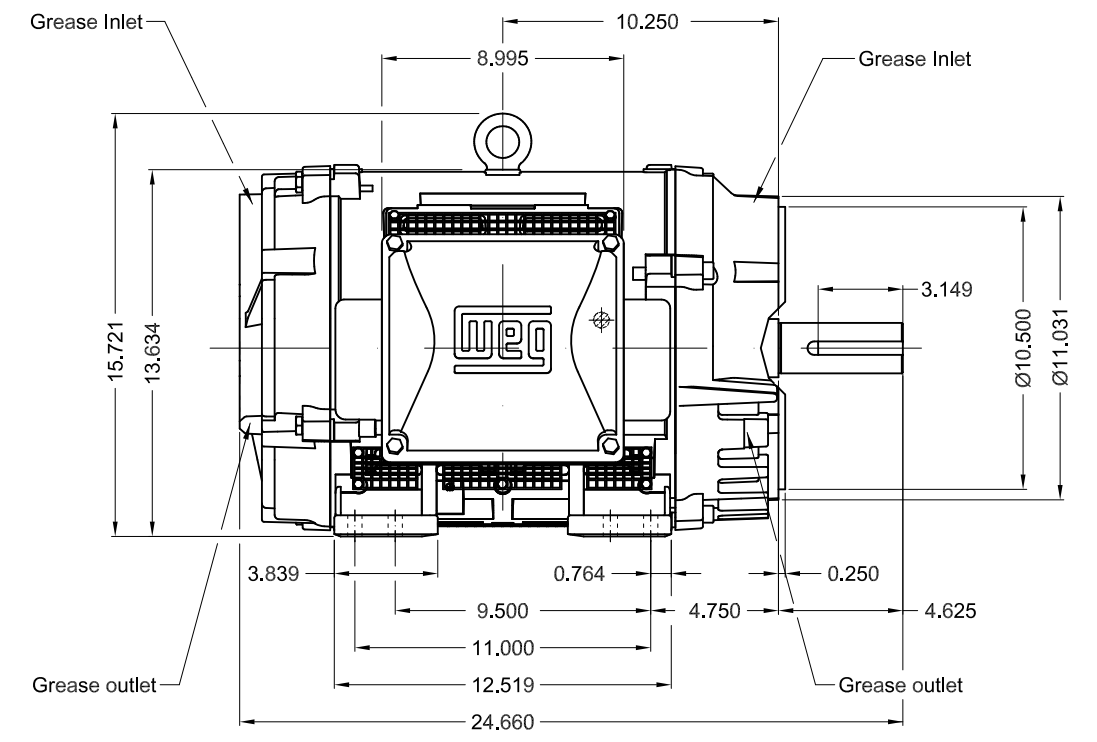
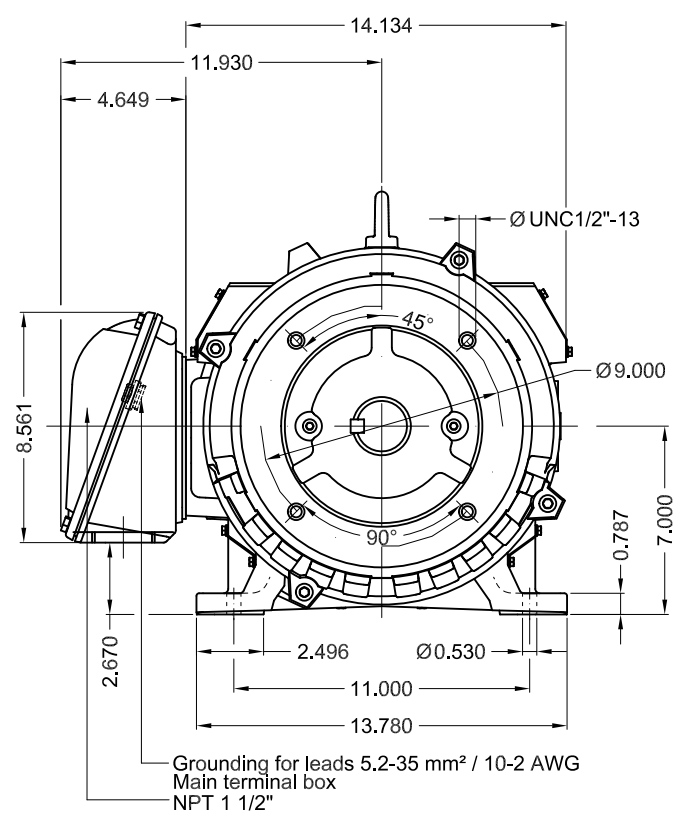
Performance : 575 V 60 Hz 4P

Rated current : 27.9 A	Moment of inertia (J) : 4.52 sq.ft.lb
LRC : 6.6	Duty cycle : Cont.(S1)
Rated torque : 87.8 ft.lb	Insulation class : F
Locked rotor torque : 280 %	Service factor : 1.25
Breakdown torque : 280 %	Temperature rise : 80 K
Rated speed : 1770 rpm	Design : B

Rev.	Changes Summary	Performed	Checked	Date
Performed by			Page 2 / 2	Revision
Checked by				
Date	14/04/2019			

Dimensões em polegada  
Dimensions in inches

THIS IS AN UPDATED REVISION, THE  
PREVIOUS ONE MUST BE DISREGARDED.



Bearing cap						SCALE		1:7		
Color RAL 5009										
Painting plan 203A										
Mounting B34R(D)										
ECM		LOC		SUMMARY OF MODIFICATIONS		EXECUTED	CHECKED	RELEASED	DATE	VER
EXECUTED		USERADMIN		THREE PHASE W40 MOTOR NEMA PREMIUM EFF						
CHECKED				FRAME 284/6TC IP23 ODP						
RELEASED				WEG code: 14495774						
REL DT		14.04.2019		WMO Jaragua do Sul		Product Engineering	SHEET	1 / 1		

30 HP 04 Poles 60Hz

A



ZME A3