

# DATA SHEET



## Three Phase Induction Motor - Squirrel Cage

Customer : Dealers Industrial Equipment 800-469-3110  
 Customer reference : 03018OT3H286T-W40

Product line : W40 NEMA Premium Efficiency Three-Phase      Product code : 14495770  
 Catalog # : 03018OT3H286T-W40

Frame	: 284/6T	Locked rotor time	: 32s (cold) 18s (hot)
Output	: 30 HP (22 kW)	Temperature rise	: 80 K
Poles	: 4	Duty cycle	: Cont.(S1)
Frequency	: 60 Hz	Ambient temperature	: -20°C to +40°C
Rated voltage	: 575 V	Altitude	: 1000 m.a.s.l.
Rated current	: 27.9 A	Protection degree	: IP23
L. R. Amperes	: 184 A	Cooling method	: IC01 - ODP
LRC	: 6.6x(Code G)	Mounting	: F-1
No load current	: 11.6 A	Rotation <sup>1</sup>	: Both (CW and CCW)
Rated speed	: 1770 rpm	Noise level <sup>2</sup>	: 64.0 dB(A)
Slip	: 1.67 %	Starting method	: Direct On Line
Rated torque	: 87.8 ft.lb	Approx. weight <sup>3</sup>	: 396 lb
Locked rotor torque	: 280 %		
Breakdown torque	: 280 %		
Insulation class	: F		
Service factor	: 1.25		
Moment of inertia (J)	: 4.52 sq.ft.lb		
Design	: B		

Output	25%	50%	75%	100%	Foundation loads
Efficiency (%)	93.4	93.6	94.1	94.1	Max. traction
Power Factor	0.44	0.70	0.80	0.84	Max. compression

		<u>Drive end</u>	<u>Non drive end</u>
Bearing type	:	6311 Z C3	6211 Z C3
Sealing	:	Without Bearing Seal	Without Bearing Seal
Lubrication interval	:	20000 h	20000 h
Lubricant amount	:	18 g	11 g
Lubricant type	:	Mobil Polyrex EM	

Notes  
 downloaded from <http://dealerselectric.com>

This revision replaces and cancel the previous one, which must be eliminated.  
 (1) Looking the motor from the shaft end.  
 (2) Measured at 1m and with tolerance of +3dB(A).  
 (3) Approximate weight subject to changes after manufacturing process.  
 (4) At 100% of full load.

These are average values based on tests with sinusoidal power supply, subject to the tolerances stipulated in NEMA MG-1.

Rev.	Changes Summary	Performed	Checked	Date
Performed by		Page		Revision
Checked by		1 / 2		
Date	14/04/2019			

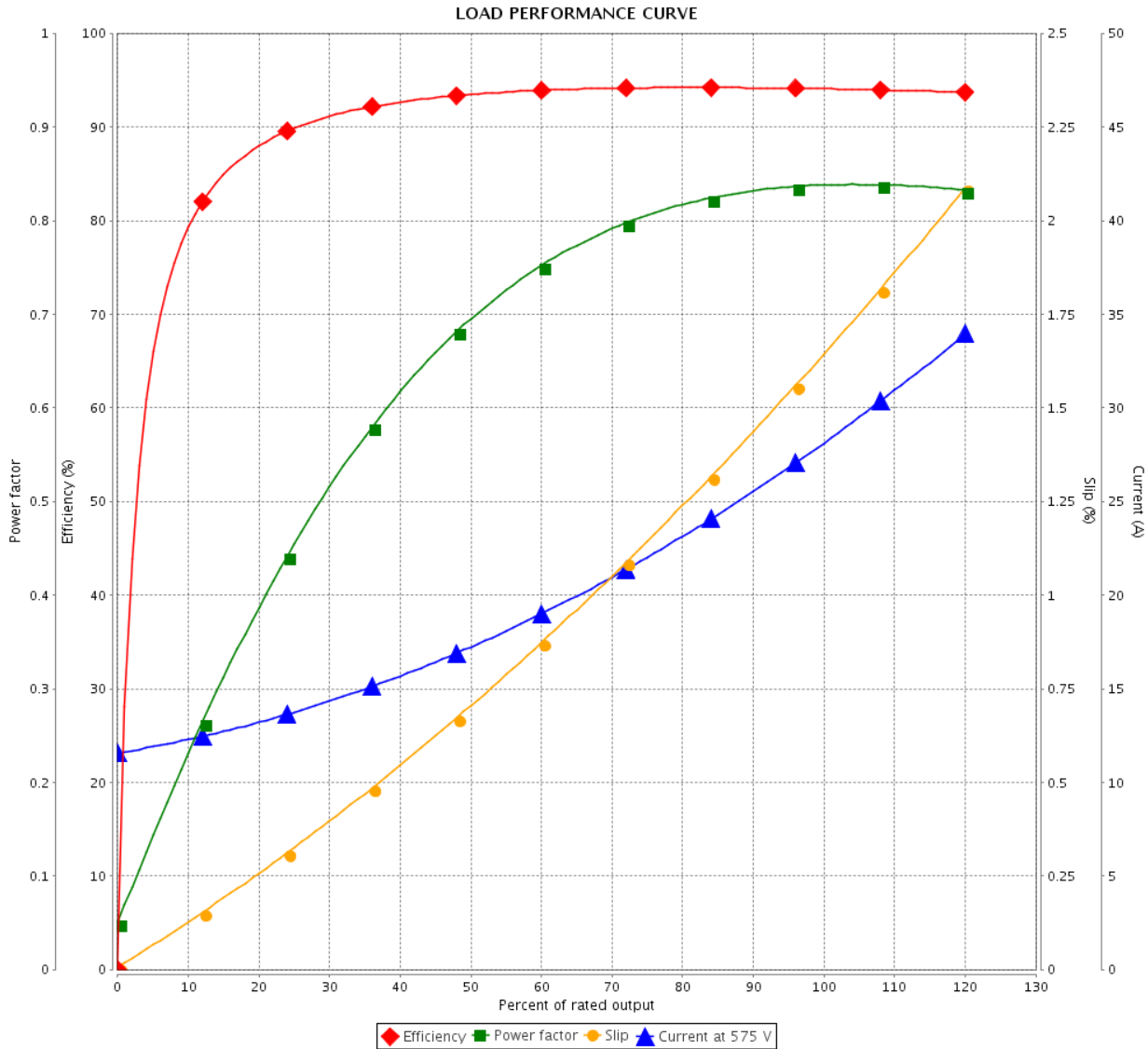
# LOAD PERFORMANCE CURVE



## Three Phase Induction Motor - Squirrel Cage

Customer : Dealers Industrial Equipment 800-469-3110  
 Customer reference : 03018OT3H286T-W40

Product line : W40 NEMA Premium Efficiency Three-Phase      Product code : 14495770  
 Catalog # : 03018OT3H286T-W40



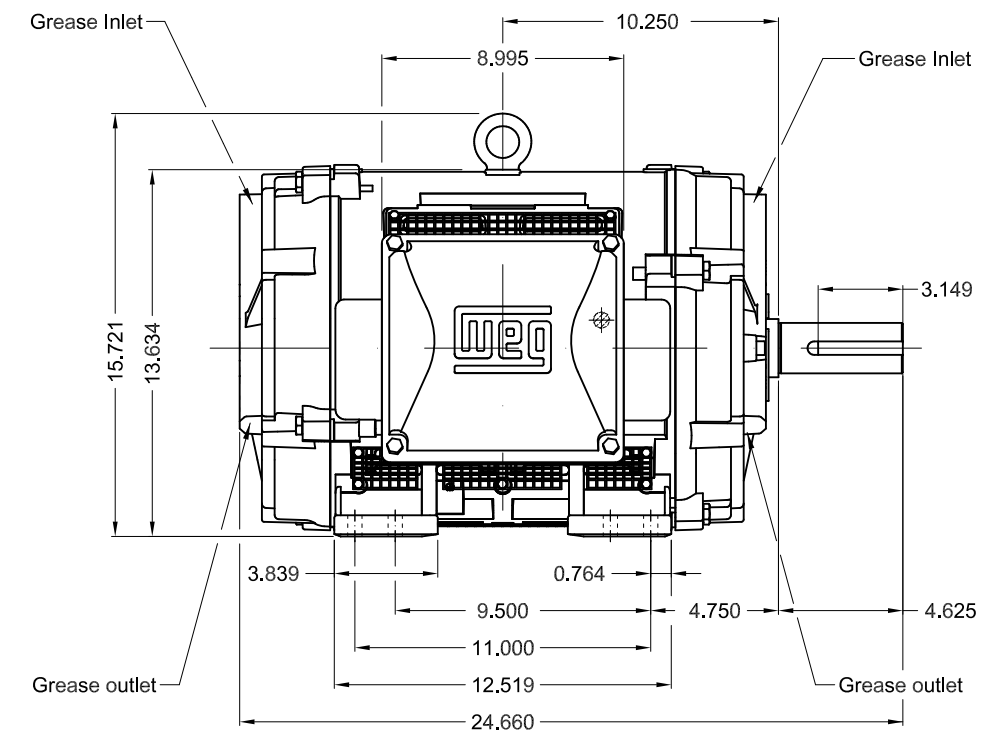
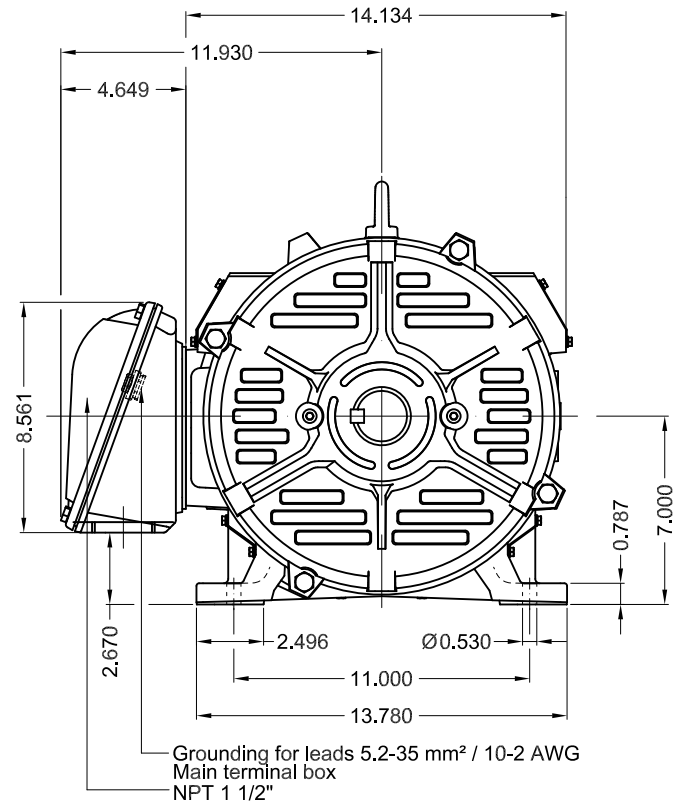
Performance : 575 V 60 Hz 4P

Rated current	: 27.9 A	Moment of inertia (J)	: 4.52 sq.ft.lb
LRC	: 6.6	Duty cycle	: Cont.(S1)
Rated torque	: 87.8 ft.lb	Insulation class	: F
Locked rotor torque	: 280 %	Service factor	: 1.25
Breakdown torque	: 280 %	Temperature rise	: 80 K
Rated speed	: 1770 rpm	Design	: B

Rev.	Changes Summary	Performed	Checked	Date
Performed by			Page 2 / 2	Revision
Checked by				
Date	14/04/2019			

Dimensões em polegada  
Dimensions in inches

THIS IS AN UPDATED REVISION, THE  
PREVIOUS ONE MUST BE DISREGARDED.



Color RAL 5009									
Painting plan 203A									
Mounting B3R(D)									
					SCALE	1:7			
ECM	LOC	SUMMARY OF MODIFICATIONS			EXECUTED	CHECKED	RELEASED	DATE	VER
EXECUTED	USERADMIN	THREE PHASE W40 MOTOR NEMA PREMIUM EFF							
CHECKED		FRAME 284/6T IP23 ODP							
RELEASED		WEG code: 14495770							
REL DT	14.04.2019	WMO	Jaragua do Sul	Product Engineering	SHEET	1 / 1			

30 HP 04 Poles 60Hz

A

