

DATA SHEET



Three Phase Induction Motor - Squirrel Cage

Customer : Dealers Industrial Equipment 800-469-3110
 Customer reference : 03018OT3E286TC-W40

Product line : W40 NEMA Premium Efficiency Three-Phase Product code : 14495708
 Catalog # : 03018OT3E286TC-W40

Frame : 284/6TC	Locked rotor time : 32s (cold) 18s (hot)
Output : 30 HP (22 kW)	Temperature rise : 80 K
Poles : 4	Duty cycle : Cont.(S1)
Frequency : 60 Hz	Ambient temperature : -20°C to +40°C
Rated voltage : 208-230/460 V	Altitude : 1000 m.a.s.l.
Rated current : 77.2-69.8/34.9 A	Protection degree : IP23
L. R. Amperes : 509-461/230 A	Cooling method : IC01 - ODP
LRC : 6.6x(Code G)	Mounting : F-1
No load current : 25.0-29.0/14.5 A	Rotation ¹ : Both (CW and CCW)
Rated speed : 1770 rpm	Noise level ² : 64.0 dB(A)
Slip : 1.67 %	Starting method : Direct On Line
Rated torque : 87.8 ft.lb	Approx. weight ³ : 405 lb
Locked rotor torque : 280 %	
Breakdown torque : 280 %	
Insulation class : F	
Service factor : 1.25	
Moment of inertia (J) : 4.52 sq.ft.lb	
Design : B	

Output	25%	50%	75%	100%	Foundation loads
Efficiency (%)	93.4	93.6	94.1	94.1	Max. traction
Power Factor	0.44	0.70	0.80	0.84	Max. compression

	<u>Drive end</u>	<u>Non drive end</u>
Bearing type :	6311 Z C3	6211 Z C3
Sealing :	Without Bearing Seal	Without Bearing Seal
Lubrication interval :	20000 h	20000 h
Lubricant amount :	18 g	11 g
Lubricant type :	Mobil Polyrex EM	

Notes
 downloaded from <http://dealerselectric.com>

This revision replaces and cancel the previous one, which must be eliminated.
 (1) Looking the motor from the shaft end.
 (2) Measured at 1m and with tolerance of +3dB(A).
 (3) Approximate weight subject to changes after manufacturing process.
 (4) At 100% of full load.

These are average values based on tests with sinusoidal power supply, subject to the tolerances stipulated in NEMA MG-1.

Rev.	Changes Summary	Performed	Checked	Date
Performed by		Page		Revision
Checked by		1 / 2		
Date	14/04/2019			

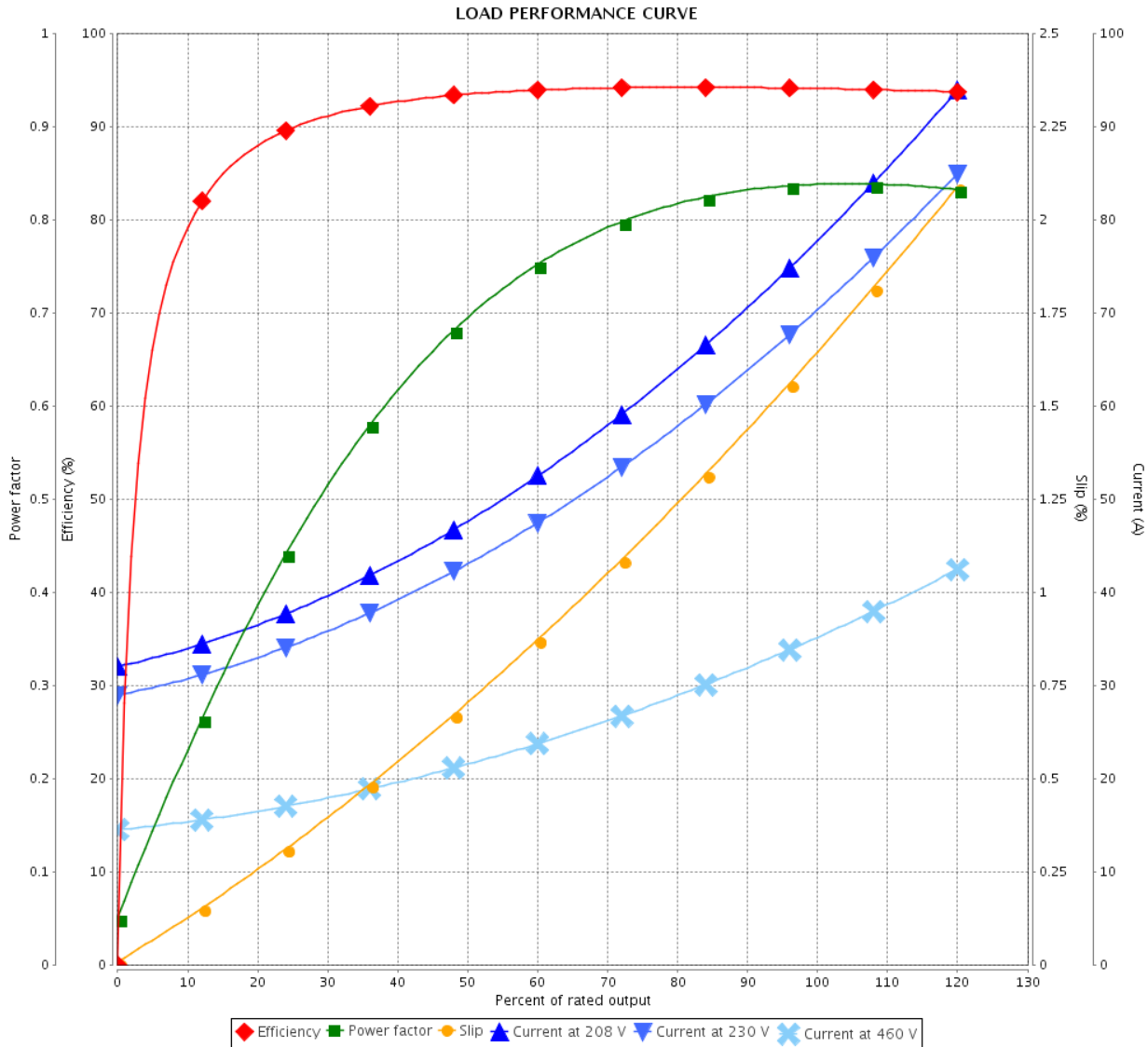
LOAD PERFORMANCE CURVE



Three Phase Induction Motor - Squirrel Cage

Customer : Dealers Industrial Equipment 800-469-3110
 Customer reference : 03018OT3E286TC-W40

Product line : W40 NEMA Premium Efficiency Three-Phase Product code : 14495708
 Catalog # : 03018OT3E286TC-W40



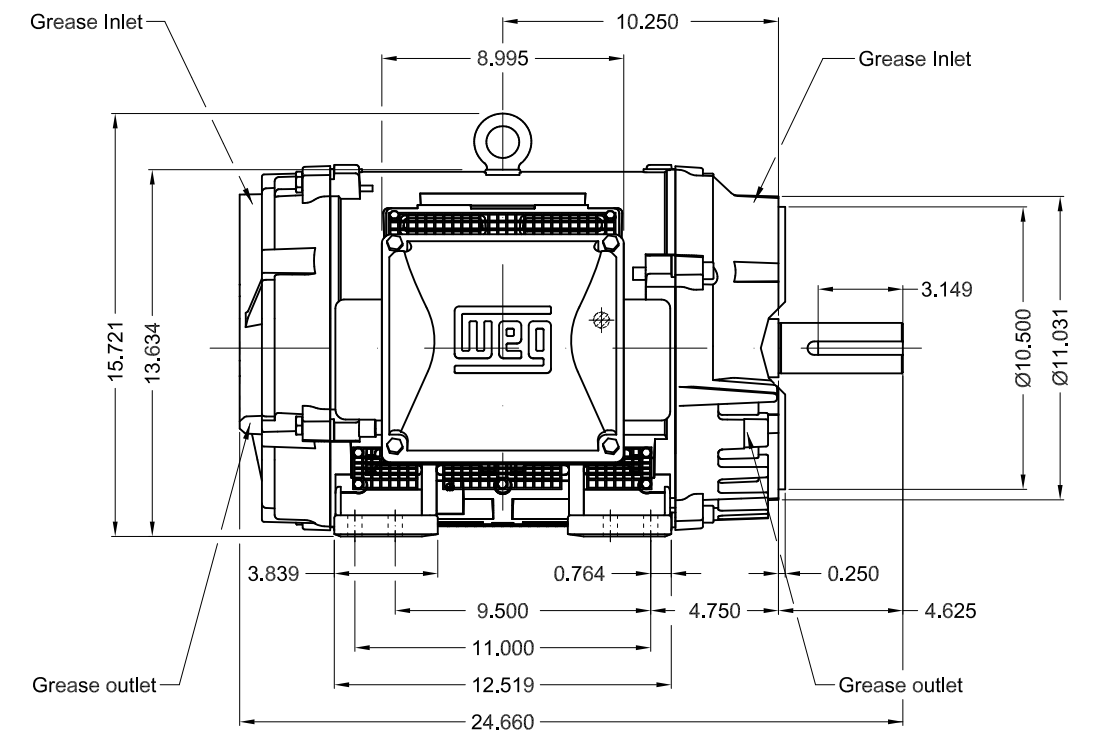
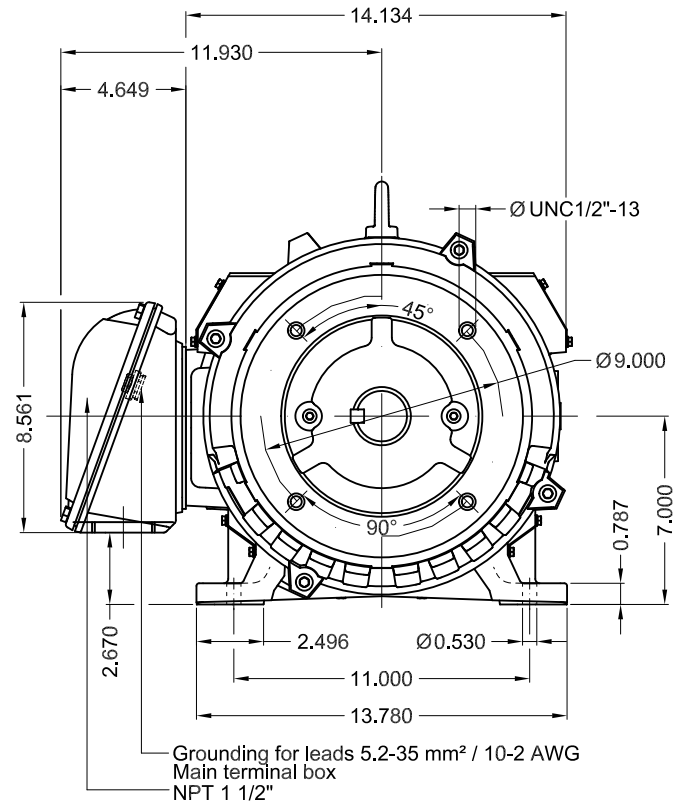
Performance : 208-230/460 V 60 Hz 4P

Rated current : 77.2-69.8/34.9 A	Moment of inertia (J) : 4.52 sq.ft.lb
LRC : 6.6	Duty cycle : Cont.(S1)
Rated torque : 87.8 ft.lb	Insulation class : F
Locked rotor torque : 280 %	Service factor : 1.25
Breakdown torque : 280 %	Temperature rise : 80 K
Rated speed : 1770 rpm	Design : B

Rev.	Changes Summary	Performed	Checked	Date
Performed by			Page	Revision
Checked by				
Date				

Dimensões em polegada
Dimensions in inches

THIS IS AN UPDATED REVISION, THE
PREVIOUS ONE MUST BE DISREGARDED.



Bearing cap						SCALE		1:7		
Color RAL 5009										
Painting plan 203A										
Mounting B34R(D)										
ECM		LOC		SUMMARY OF MODIFICATIONS		EXECUTED	CHECKED	RELEASED	DATE	VER
EXECUTED		USERADMIN		THREE PHASE W40 MOTOR NEMA PREMIUM EFF						
CHECKED				FRAME 284/6TC IP23 ODP						
RELEASED				WEG code: 14495708						
REL DT		14.04.2019		WMO Jaragua do Sul		Product Engineering	SHEET	1 / 1		

30 HP 04 Poles 60Hz

A

