

DATA SHEET



Three Phase Induction Motor - Squirrel Cage

Customer : Dealers Industrial Equipment 800-469-3110
 Customer reference : 03012OT3E326TC-W40

Product line : W40 NEMA Premium Efficiency Three-Phase Product code : 14495602
 Catalog # : 03012OT3E326TC-W40

Frame	: 324/6TC	Locked rotor time	: 30s (cold) 17s (hot)
Output	: 30 HP (22 kW)	Temperature rise	: 80 K
Poles	: 6	Duty cycle	: Cont.(S1)
Frequency	: 60 Hz	Ambient temperature	: -20°C to +40°C
Rated voltage	: 208-230/460 V	Altitude	: 1000 m.a.s.l.
Rated current	: 79.6-72.0/36.0 A	Protection degree	: IP23
L. R. Amperes	: 502-454/227 A	Cooling method	: IC01 - ODP
LRC	: 6.3x(Code G)	Mounting	: F-1
No load current	: 25.5-29.6/14.8 A	Rotation ¹	: Both (CW and CCW)
Rated speed	: 1182 rpm	Noise level ²	: 62.0 dB(A)
Slip	: 1.50 %	Starting method	: Direct On Line
Rated torque	: 131 ft.lb	Approx. weight ³	: 532 lb
Locked rotor torque	: 200 %		
Breakdown torque	: 240 %		
Insulation class	: F		
Service factor	: 1.25		
Moment of inertia (J)	: 9.56 sq.ft.lb		
Design	: B		

Output	25%	50%	75%	100%	Foundation loads
Efficiency (%)	91.7	92.4	93.0	93.6	Max. traction
Power Factor	0.44	0.70	0.79	0.82	Max. compression

	Drive end	Non drive end
Bearing type	: 6312 Z C3	6211 Z C3
Sealing	: Without Bearing Seal	Without Bearing Seal
Lubrication interval	: 20000 h	20000 h
Lubricant amount	: 21 g	11 g
Lubricant type	: Mobil Polyrex EM	

Notes
 downloaded from <http://dealerselectric.com>

This revision replaces and cancel the previous one, which must be eliminated.

- (1) Looking the motor from the shaft end.
- (2) Measured at 1m and with tolerance of +3dB(A).
- (3) Approximate weight subject to changes after manufacturing process.
- (4) At 100% of full load.

These are average values based on tests with sinusoidal power supply, subject to the tolerances stipulated in NEMA MG-1.

Rev.	Changes Summary	Performed	Checked	Date
Performed by		Page		Revision
Checked by		1 / 2		
Date	14/04/2019			

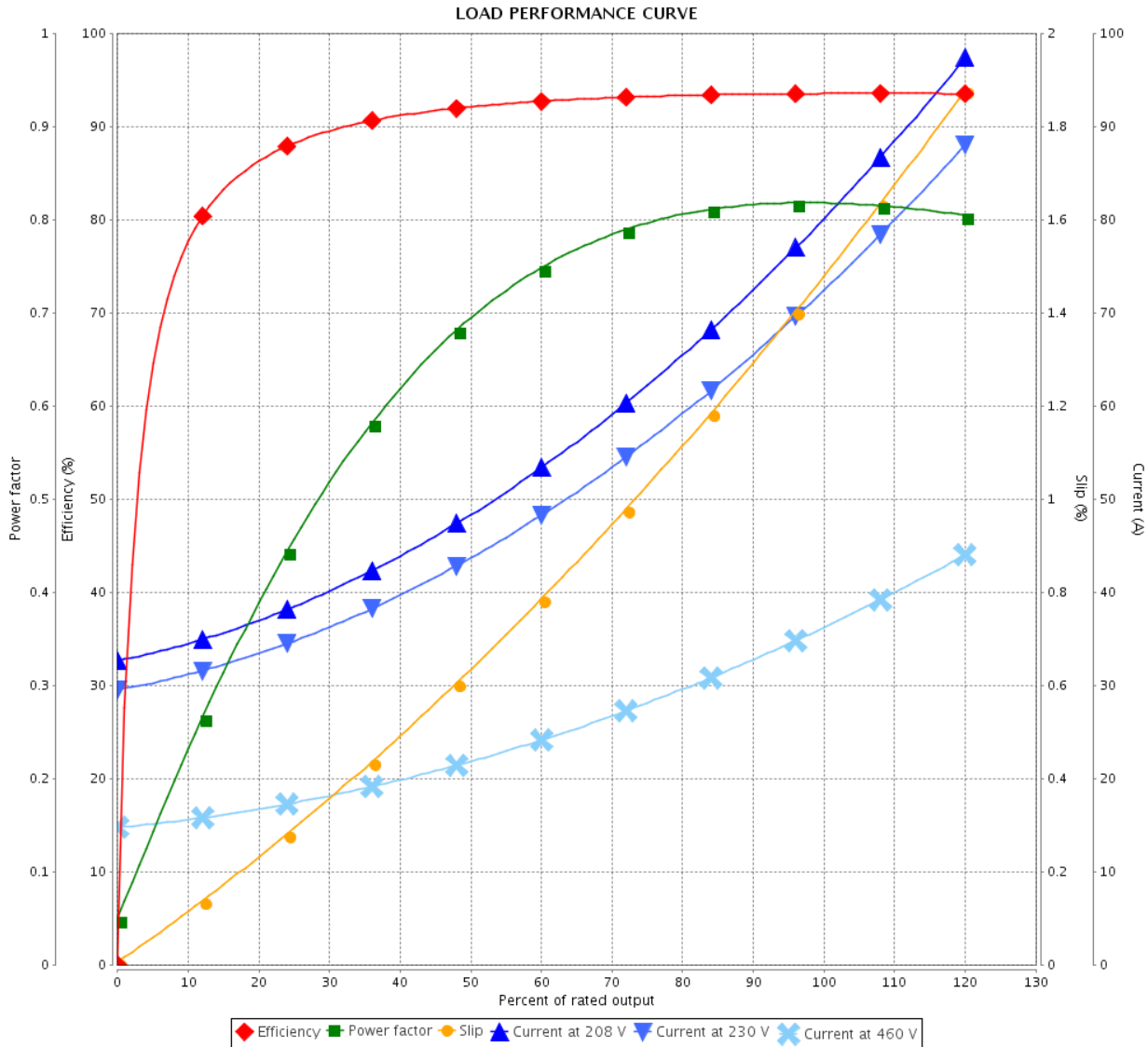
LOAD PERFORMANCE CURVE



Three Phase Induction Motor - Squirrel Cage

Customer : Dealers Industrial Equipment 800-469-3110
 Customer reference : 03012OT3E326TC-W40

Product line : W40 NEMA Premium Efficiency Three-Phase Product code : 14495602
 Catalog # : 03012OT3E326TC-W40



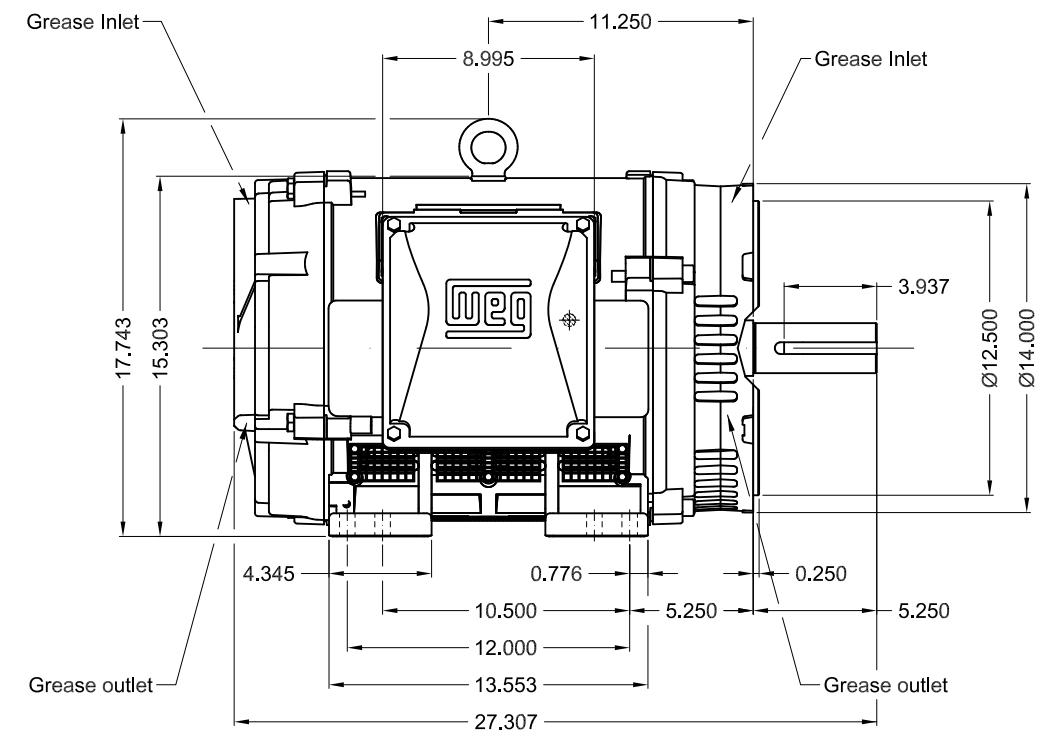
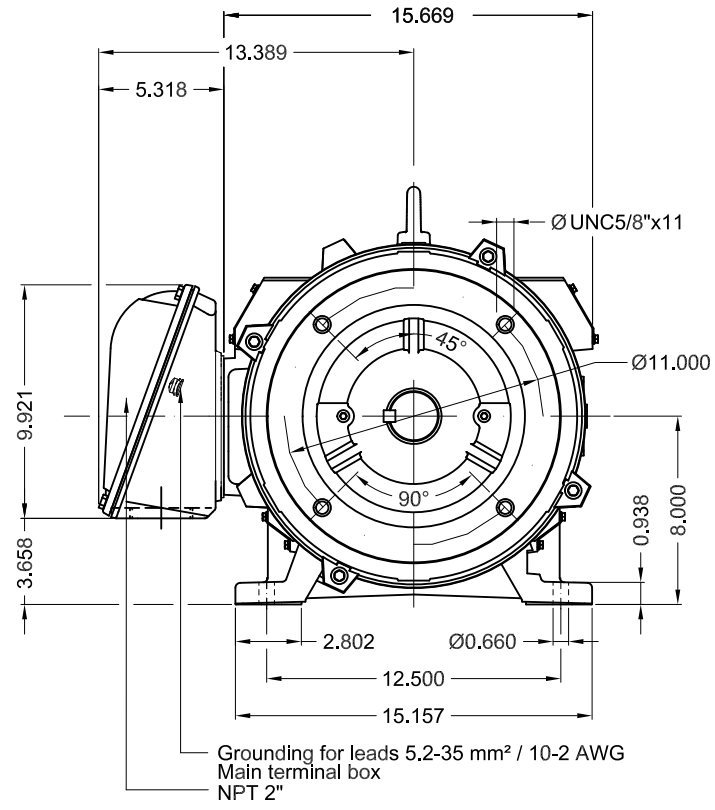
Performance : 208-230/460 V 60 Hz 6P

Rated current : 79.6-72.0/36.0 A	Moment of inertia (J) : 9.56 sq.ft.lb
LRC : 6.3	Duty cycle : Cont.(S1)
Rated torque : 131 ft.lb	Insulation class : F
Locked rotor torque : 200 %	Service factor : 1.25
Breakdown torque : 240 %	Temperature rise : 80 K
Rated speed : 1182 rpm	Design : B

Rev.	Changes Summary	Performed	Checked	Date
Performed by			Page 2 / 2	Revision
Checked by				
Date	14/04/2019			

Dimensões em polegada
Dimensions in inches

THIS IS AN UPDATED REVISION, THE
PREVIOUS ONE MUST BE DISREGARDED.



Color RAL 5009									
Painting plan 203A									
Mounting B34R(D)									
					SCALE	1:8			
ECM	LOC	SUMMARY OF MODIFICATIONS			EXECUTED	CHECKED	RELEASED	DATE	VER
EXECUTED	USERADMIN	THREE PHASE W40 MOTOR NEMA PREMIUM EFF							
CHECKED		FRAME 324/6TC IP23 ODP							
RELEASED		WEG code: 14495602							
REL DT	14.04.2019	WMO	Jaragua do Sul	Product Engineering	SHEET	1 / 1			

30 HP 06 Poles 60Hz

A

