

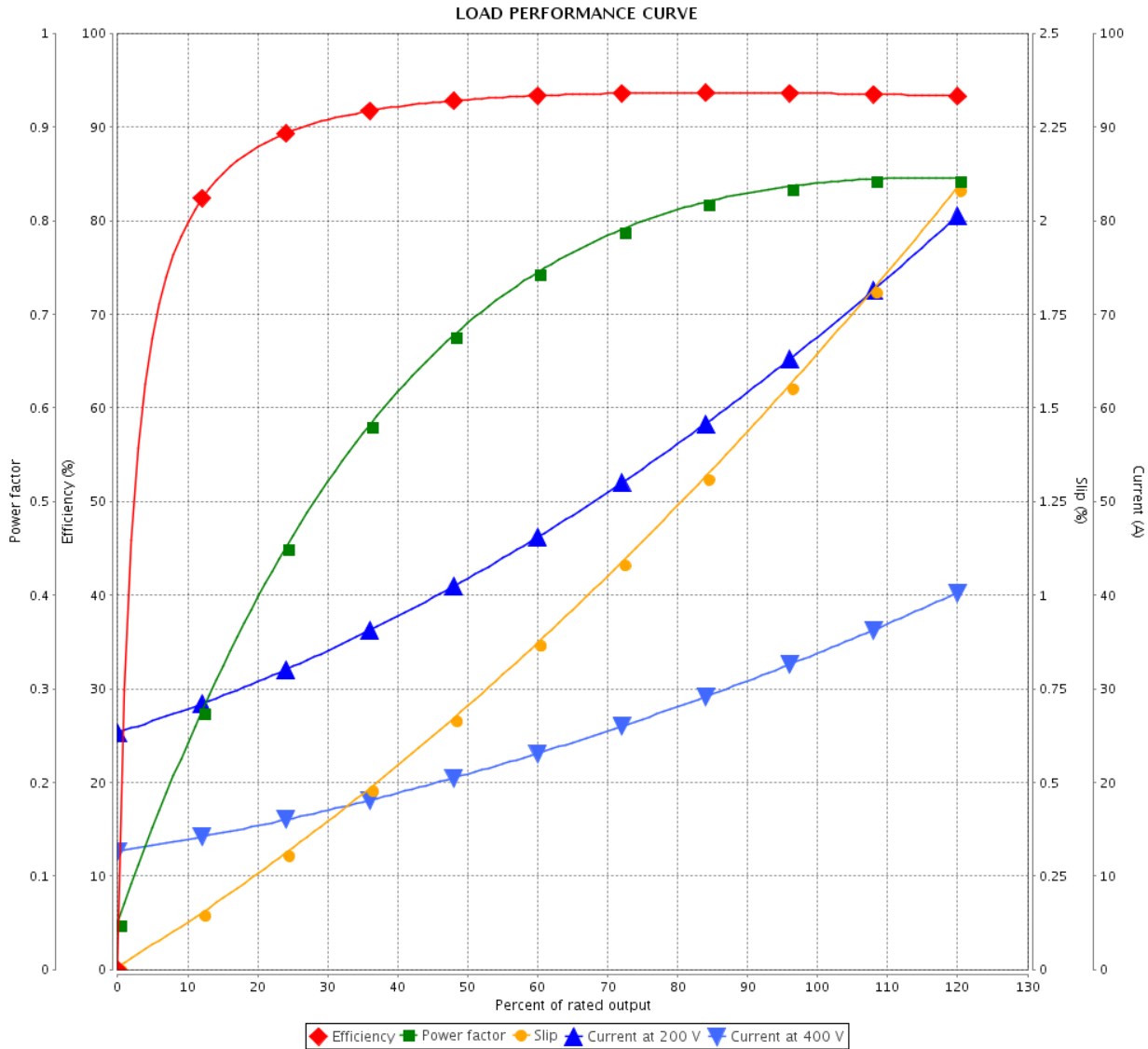
LOAD PERFORMANCE CURVE



Three Phase Induction Motor - Squirrel Cage

Customer : Dealers Industrial Equipment 800-469-3110
 Customer reference : 02518OT3V284TS-W40

Product line : W40 NEMA Premium Efficiency Three-Phase Product code : 14495154
 Catalog # : 02518OT3V284TS-W40



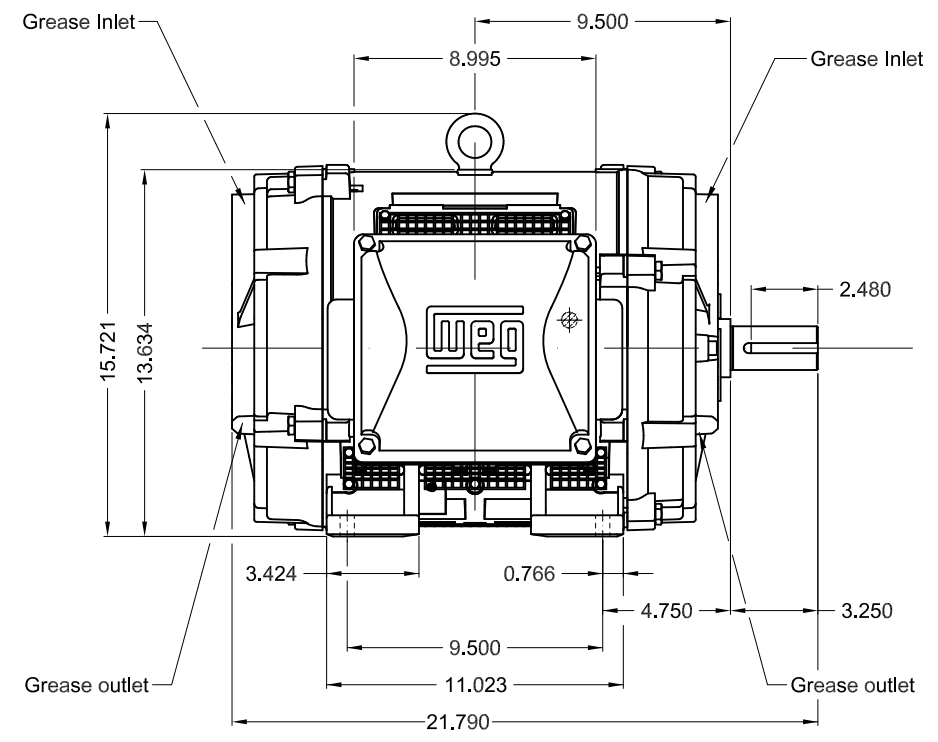
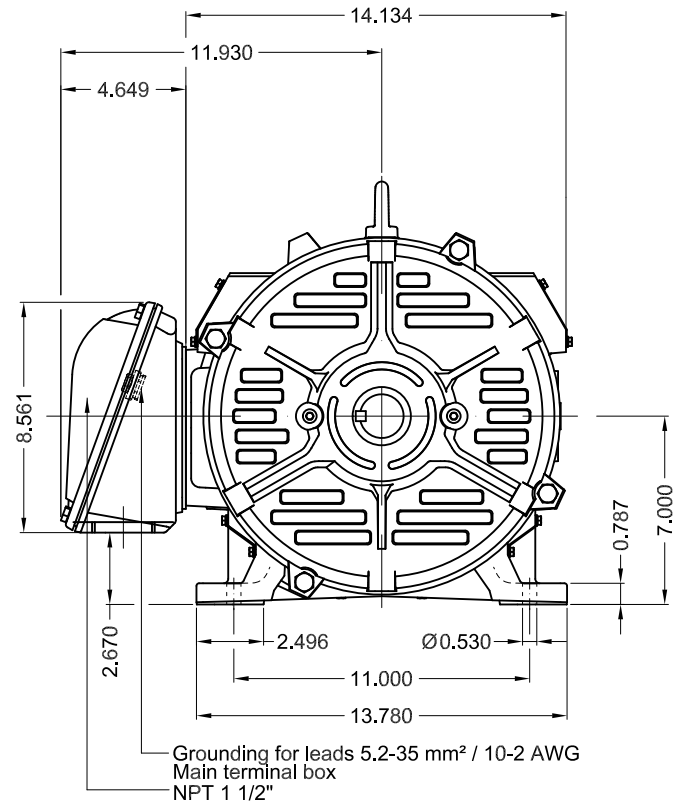
Performance : 200/400 V 60 Hz 4P

Rated current : 67.8/33.9 A	Moment of inertia (J) : 3.71 sq.ft.lb
LRC : 6.6	Duty cycle : Cont.(S1)
Rated torque : 73.2 ft.lb	Insulation class : F
Locked rotor torque : 270 %	Service factor : 1.25
Breakdown torque : 280 %	Temperature rise : 80 K
Rated speed : 1770 rpm	Design : B

Rev.	Changes Summary	Performed	Checked	Date
Performed by			Page 2 / 2	Revision
Checked by				
Date	14/04/2019			

Dimensões em polegada
Dimensions in inches

THIS IS AN UPDATED REVISION, THE
PREVIOUS ONE MUST BE DISREGARDED.



TS shaft end									
Color RAL 5009									
Painting plan 203A									
Mounting B3R(D)									
					SCALE	1:7			
ECM	LOC	SUMMARY OF MODIFICATIONS			EXECUTED	CHECKED	RELEASED	DATE	VER
EXECUTED	USERADMIN	THREE PHASE W40 MOTOR NEMA PREMIUM EFF							
CHECKED		FRAME 284TS IP23 ODP							
RELEASED		WEG code: 14495154							
REL DT	14.04.2019	WMO	Jaragua do Sul	Product Engineering	SHEET	1 / 1			

25 HP 04 Poles 60Hz

A

