

DATA SHEET



Three Phase Induction Motor - Squirrel Cage

| | | | | | |
|---|-----------------|--|--|--------------------------------|------------------|
| Customer | | : Dealers Industrial Equipment 800-469-3110 | | | |
| Customer reference | | : 02518OT3H284TC-W40 | | | |
| Product line | | : W40 NEMA Premium Efficiency Three-Phase | | Product code : 14495151 | |
| | | | | Catalog # : 02518OT3H284TC-W40 | |
| Frame | | : 284TC | | Locked rotor time | |
| Output | | : 25 HP (18.5 kW) | | : 30s (cold) 17s (hot) | |
| Poles | | : 4 | | Temperature rise | |
| Frequency | | : 60 Hz | | : 80 K | |
| Rated voltage | | : 575 V | | Duty cycle | |
| Rated current | | : 23.6 A | | : Cont.(S1) | |
| L. R. Amperes | | : 156 A | | Ambient temperature | |
| LRC | | : 6.6x(Code G) | | : -20°C to +40°C | |
| No load current | | : 8.80 A | | Altitude | |
| Rated speed | | : 1770 rpm | | : 1000 m.a.s.l. | |
| Slip | | : 1.67 % | | Protection degree | |
| Rated torque | | : 73.2 ft.lb | | : IP23 | |
| Locked rotor torque | | : 270 % | | Cooling method | |
| Breakdown torque | | : 280 % | | : IC01 - ODP | |
| Insulation class | | : F | | Mounting | |
| Service factor | | : 1.25 | | : F-1 | |
| Moment of inertia (J) | | : 3.71 sq.ft.lb | | Rotation ¹ | |
| Design | | : B | | : Both (CW and CCW) | |
| | | | | Noise level ² | |
| | | | | : 64.0 dB(A) | |
| | | | | Starting method | |
| | | | | : Direct On Line | |
| | | | | Approx. weight ³ | |
| | | | | : 357 lb | |
| Output | 25% | 50% | 75% | 100% | Foundation loads |
| Efficiency (%) | 92.8 | 93.0 | 93.6 | 93.6 | Max. traction |
| Power Factor | 0.45 | 0.69 | 0.80 | 0.84 | Max. compression |
| | | <u>Drive end</u> | | <u>Non drive end</u> | |
| Bearing type | | : 6311 Z C3 | | 6211 Z C3 | |
| Sealing | | : Without Bearing Seal | | Without Bearing Seal | |
| Lubrication interval | | : 20000 h | | 20000 h | |
| Lubricant amount | | : 18 g | | 11 g | |
| Lubricant type | | : Mobil Polyrex EM | | | |
| Notes | | | | | |
| downloaded from http://dealerselectric.com | | | | | |
| This revision replaces and cancel the previous one, which must be eliminated. | | | These are average values based on tests with sinusoidal power supply, subject to the tolerances stipulated in NEMA MG-1. | | |
| (1) Looking the motor from the shaft end. | | | | | |
| (2) Measured at 1m and with tolerance of +3dB(A). | | | | | |
| (3) Approximate weight subject to changes after manufacturing process. | | | | | |
| (4) At 100% of full load. | | | | | |
| Rev. | Changes Summary | | | Performed | Checked |
| Performed by | | | | | |
| Checked by | | | | | |
| Date | 14/04/2019 | | | Page | Revision |
| | | | | 1 / 2 | |

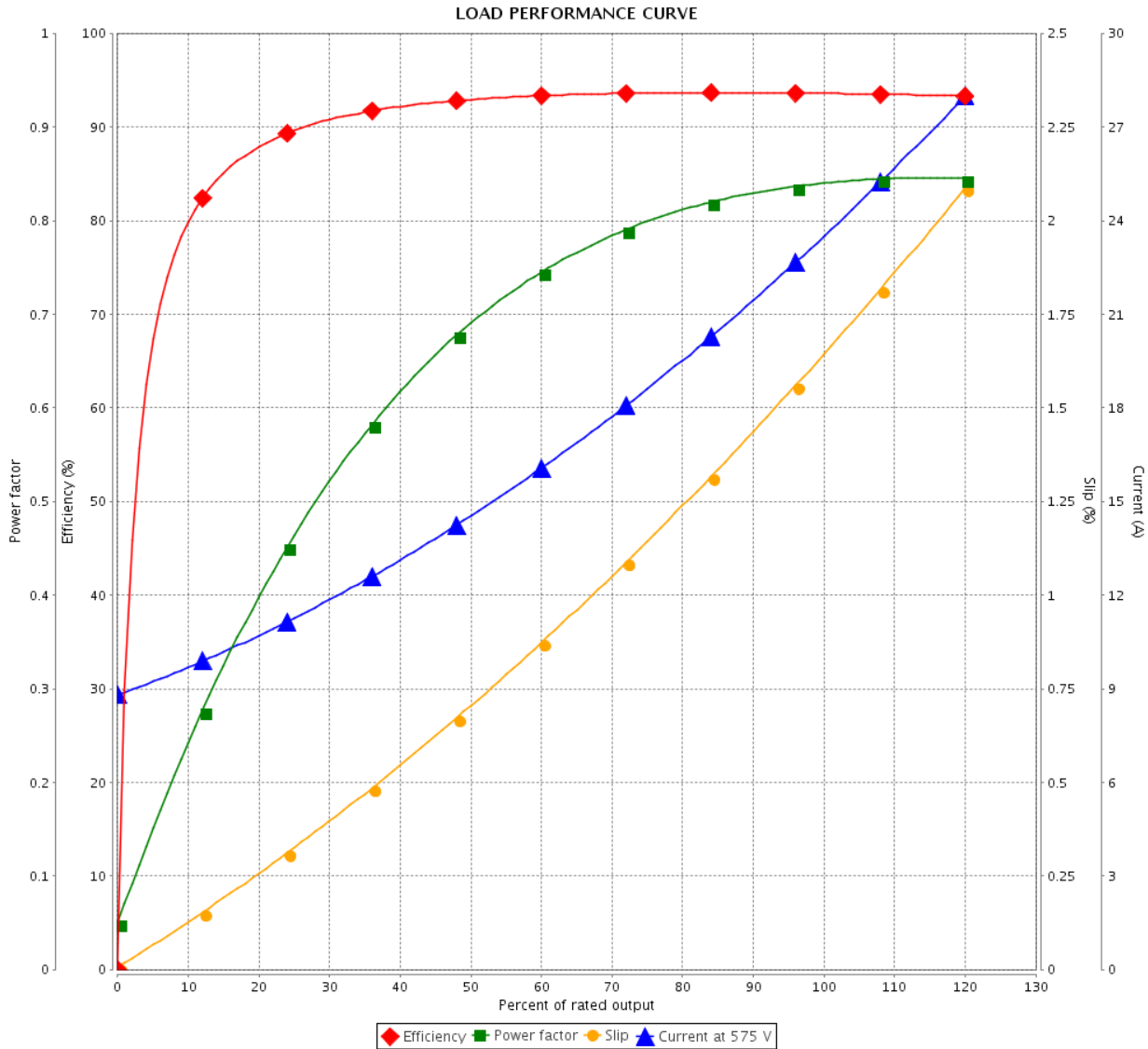
LOAD PERFORMANCE CURVE



Three Phase Induction Motor - Squirrel Cage

Customer : Dealers Industrial Equipment 800-469-3110
 Customer reference : 02518OT3H284TC-W40

Product line : W40 NEMA Premium Efficiency Three-Phase Product code : 14495151
 Catalog # : 02518OT3H284TC-W40



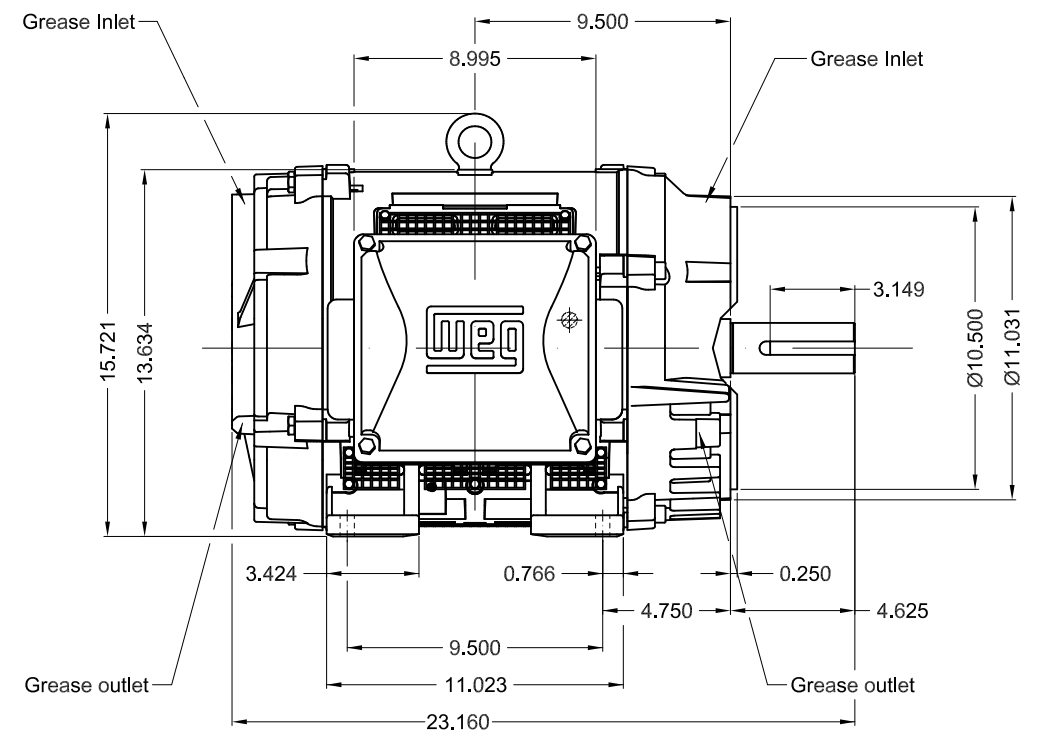
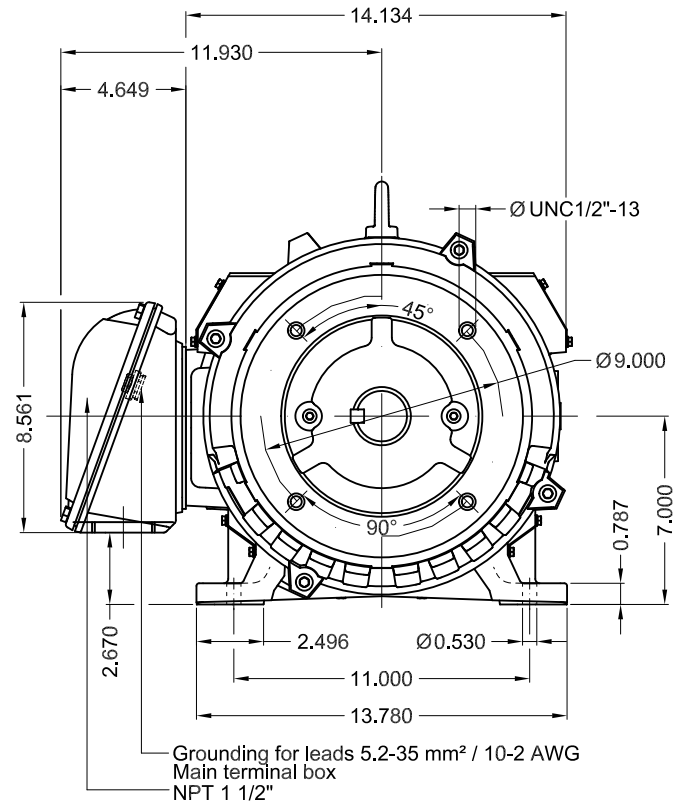
Performance : 575 V 60 Hz 4P

| | |
|-----------------------------|---------------------------------------|
| Rated current : 23.6 A | Moment of inertia (J) : 3.71 sq.ft.lb |
| LRC : 6.6 | Duty cycle : Cont.(S1) |
| Rated torque : 73.2 ft.lb | Insulation class : F |
| Locked rotor torque : 270 % | Service factor : 1.25 |
| Breakdown torque : 280 % | Temperature rise : 80 K |
| Rated speed : 1770 rpm | Design : B |

| Rev. | Changes Summary | Performed | Checked | Date |
|--------------|-----------------|-----------|---------------|----------|
| | | | | |
| Performed by | | | Page 2 / 2 | Revision |
| Checked by | | | | |
| Date | 14/04/2019 | | | |

Dimensões em polegada
Dimensions in inches

THIS IS AN UPDATED REVISION, THE
PREVIOUS ONE MUST BE DISREGARDED.



| | | | | | | | | | |
|--------------------|------------|--|----------------|---------------------|----------|---------|----------|------|-----|
| Bearing cap | | | | | | | | | |
| Color RAL 5009 | | | | | | | | | |
| Painting plan 203A | | | | | | | | | |
| Mounting B34R(D) | | | | | | | | | |
| | | | | | | SCALE | 1:7 | | |
| | | | | | | | | | |
| ECM | LOC | SUMMARY OF MODIFICATIONS | | | EXECUTED | CHECKED | RELEASED | DATE | VER |
| EXECUTED | USERADMIN | THREE PHASE W40 MOTOR NEMA PREMIUM EFF | | | | | | | |
| CHECKED | | FRAME 284TC IP23 ODP | | | | | | | |
| RELEASED | | WEG code: 14495151 | | | | | | | |
| REL DT | 14.04.2019 | WMO | Jaragua do Sul | Product Engineering | SHEET | 1 / 1 | | | |

25 HP 04 Poles 60Hz

A

