

DATA SHEET



Three Phase Induction Motor - Squirrel Cage

Customer : Dealers Industrial Equipment 800-469-3110
Customer reference : 02512OT3E324T-W40

Product line : W40 NEMA Premium Efficiency Three-Phase Product code : 14495055
Catalog # : 02512OT3E324T-W40

Frame : 324T	Locked rotor time : 32s (cold) 18s (hot)
Output : 25 HP (18.5 kW)	Temperature rise : 80 K
Poles : 6	Duty cycle : Cont.(S1)
Frequency : 60 Hz	Ambient temperature : -20°C to +40°C
Rated voltage : 208-230/460 V	Altitude : 1000 m.a.s.l.
Rated current : 68.1-61.6/30.8 A	Protection degree : IP23
L. R. Amperes : 422-382/191 A	Cooling method : IC01 - ODP
LRC : 6.2x(Code G)	Mounting : F-1
No load current : 24.5-28.4/14.2 A	Rotation ¹ : Both (CW and CCW)
Rated speed : 1183 rpm	Noise level ² : 62.0 dB(A)
Slip : 1.42 %	Starting method : Direct On Line
Rated torque : 109 ft.lb	Approx. weight ³ : 453 lb
Locked rotor torque : 210 %	
Breakdown torque : 250 %	
Insulation class : F	
Service factor : 1.25	
Moment of inertia (J) : 7.69 sq.ft.lb	
Design : B	

Output	25%	50%	75%	100%	Foundation loads
Efficiency (%)	91.0	91.7	92.4	93.0	Max. traction
Power Factor	0.39	0.65	0.76	0.81	Max. compression

	Drive end	Non drive end
Bearing type :	6312 Z C3	6211 Z C3
Sealing :	Without Bearing Seal	Without Bearing Seal
Lubrication interval :	20000 h	20000 h
Lubricant amount :	21 g	11 g
Lubricant type :	Mobil Polyrex EM	

Notes
downloaded from <http://dealerselectric.com>

This revision replaces and cancel the previous one, which must be eliminated.

- (1) Looking the motor from the shaft end.
- (2) Measured at 1m and with tolerance of +3dB(A).
- (3) Approximate weight subject to changes after manufacturing process.
- (4) At 100% of full load.

These are average values based on tests with sinusoidal power supply, subject to the tolerances stipulated in NEMA MG-1.

Rev.	Changes Summary	Performed	Checked	Date
Performed by				
Checked by				
Date				
		Page	Revision	
		1 / 2		

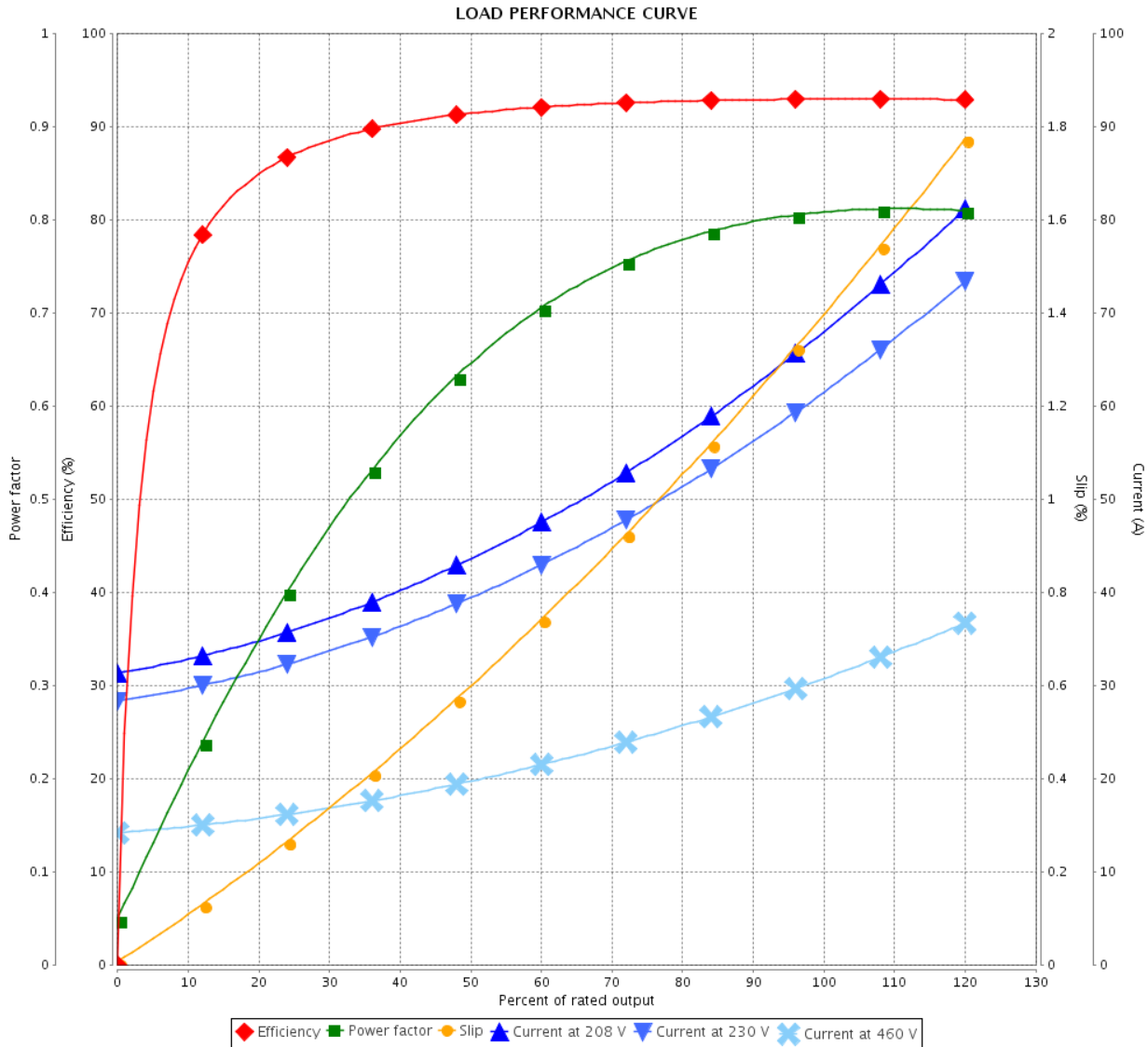
LOAD PERFORMANCE CURVE



Three Phase Induction Motor - Squirrel Cage

Customer : Dealers Industrial Equipment 800-469-3110
 Customer reference : 02512OT3E324T-W40

Product line : W40 NEMA Premium Efficiency Three-Phase Product code : 14495055
 Catalog # : 02512OT3E324T-W40



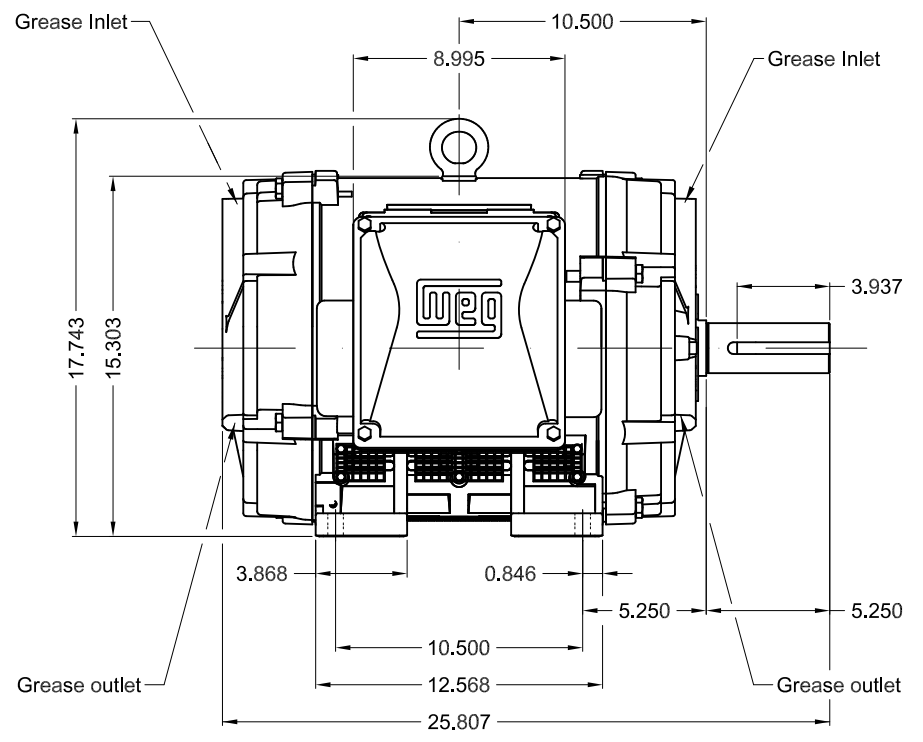
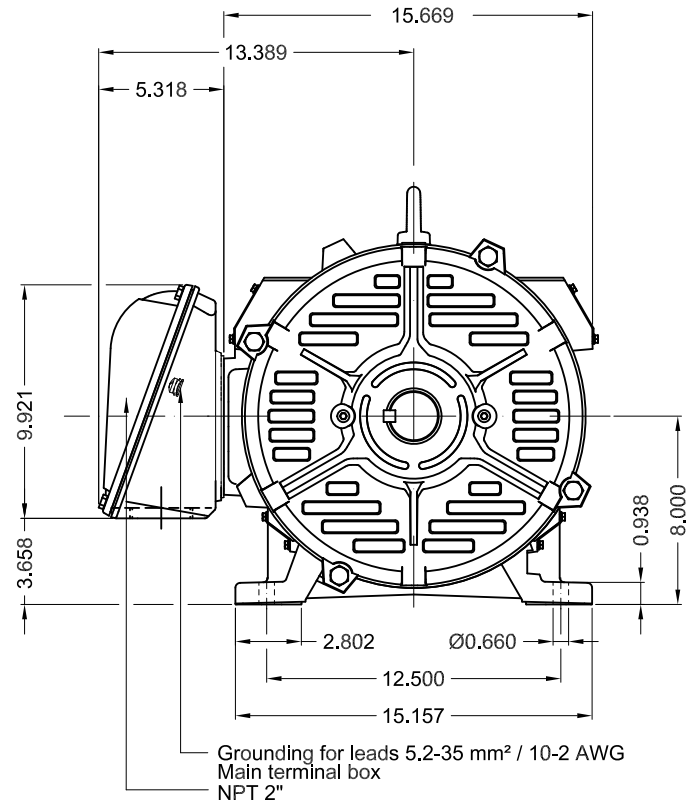
Performance : 208-230/460 V 60 Hz 6P

Rated current : 68.1-61.6/30.8 A	Moment of inertia (J) : 7.69 sq.ft.lb
LRC : 6.2	Duty cycle : Cont.(S1)
Rated torque : 109 ft.lb	Insulation class : F
Locked rotor torque : 210 %	Service factor : 1.25
Breakdown torque : 250 %	Temperature rise : 80 K
Rated speed : 1183 rpm	Design : B

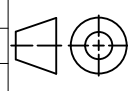
Rev.	Changes Summary	Performed	Checked	Date
Performed by			Page 2 / 2	Revision
Checked by				
Date	14/04/2019			

Dimensões em polegada
Dimensions in inches

THIS IS AN UPDATED REVISION, THE
PREVIOUS ONE MUST BE DISREGARDED.



Color RAL 5009
Painting plan 203A
Mounting B3R(D)

					SCALE	1:8		
ECM	LOC	SUMMARY OF MODIFICATIONS		EXECUTED	CHECKED	RELEASED	DATE	VER
EXECUTED	USERADMIN	 THREE PHASE W40 MOTOR NEMA PREMIUM EFF FRAME 324T IP23 ODP WEG code: 14495055						
CHECKED								
RELEASED								
REL DT	14.04.2019	WMO	Jaragua do Sul	Product Engineering	SHEET	1 / 1		

25 HP 06 Poles 60Hz

A

