

# DATA SHEET



## Three Phase Induction Motor - Squirrel Cage

Customer : Dealers Industrial Equipment 800-469-3110		Customer reference : 02036OT3E254TC-W40				
Product line : W40 NEMA Premium Efficiency Three-Phase		Product code : 14494897	Catalog # : 02036OT3E254TC-W40			
Frame : 254T Output : 20 HP (15 kW) Poles : 2 Frequency : 60 Hz Rated voltage : 208-230/460 V Rated current : 53.7-48.6/24.3 A L. R. Amperes : 339-306/153 A LRC : 6.3x(Code G) No load current : 14.5-16.8/8.40 A Rated speed : 3535 rpm Slip : 1.81 % Rated torque : 29.3 ft.lb Locked rotor torque : 200 % Breakdown torque : 280 % Insulation class : F Service factor : 1.25 Moment of inertia (J) : 0.8718 sq.ft.lb Design : B	Locked rotor time : 21s (cold) 12s (hot) Temperature rise : 80 K Duty cycle : Cont.(S1) Ambient temperature : -20°C to +40°C Altitude : 1000 m.a.s.l. Protection degree : IP23 Cooling method : IC01 - ODP Mounting : F-1 Rotation <sup>1</sup> : Both (CW and CCW) Starting method : Direct On Line Approx. weight <sup>3</sup> : 240 lb					
Output	25%	50%	75%	100%	Foundation loads	
Efficiency (%)	90.0	90.2	91.0	91.0	Max. traction	
Power Factor	0.48	0.72	0.82	0.85	Max. compression	
		<u>Drive end</u>		<u>Non drive end</u>		
Bearing type	:	6309 Z C3		6209 Z C3		
Sealing	:	Without Bearing Seal		Without Bearing Seal		
Lubrication interval	:	20000 h		20000 h		
Lubricant amount	:	13 g		9 g		
Lubricant type	:	Mobil Polyrex EM				
Notes downloaded from <a href="http://dealerselectric.com">http://dealerselectric.com</a>						
This revision replaces and cancel the previous one, which must be eliminated. (1) Looking the motor from the shaft end. (2) Measured at 1m and with tolerance of +3dB(A). (3) Approximate weight subject to changes after manufacturing process. (4) At 100% of full load.			These are average values based on tests with sinusoidal power supply, subject to the tolerances stipulated in NEMA MG-1.			
Rev.	Changes Summary			Performed	Checked	Date
Performed by						
Checked by					Page	Revision
Date	14/04/2019				1 / 2	

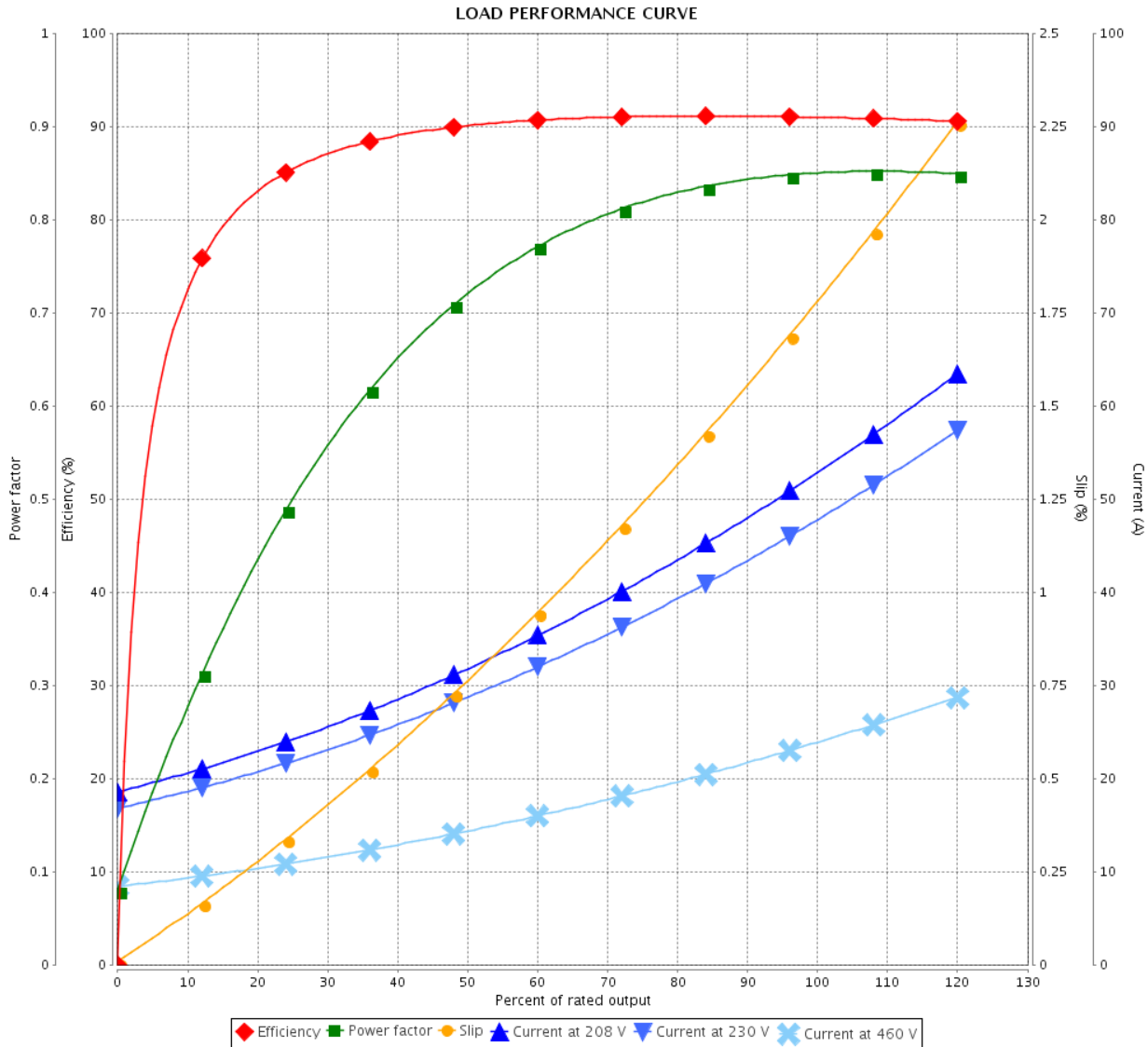
# LOAD PERFORMANCE CURVE



## Three Phase Induction Motor - Squirrel Cage

Customer : Dealers Industrial Equipment 800-469-3110  
 Customer reference : 02036OT3E254TC-W40

Product line : W40 NEMA Premium Efficiency Three-Phase      Product code : 14494897  
 Catalog # : 02036OT3E254TC-W40



Performance : 208-230/460 V 60 Hz 2P

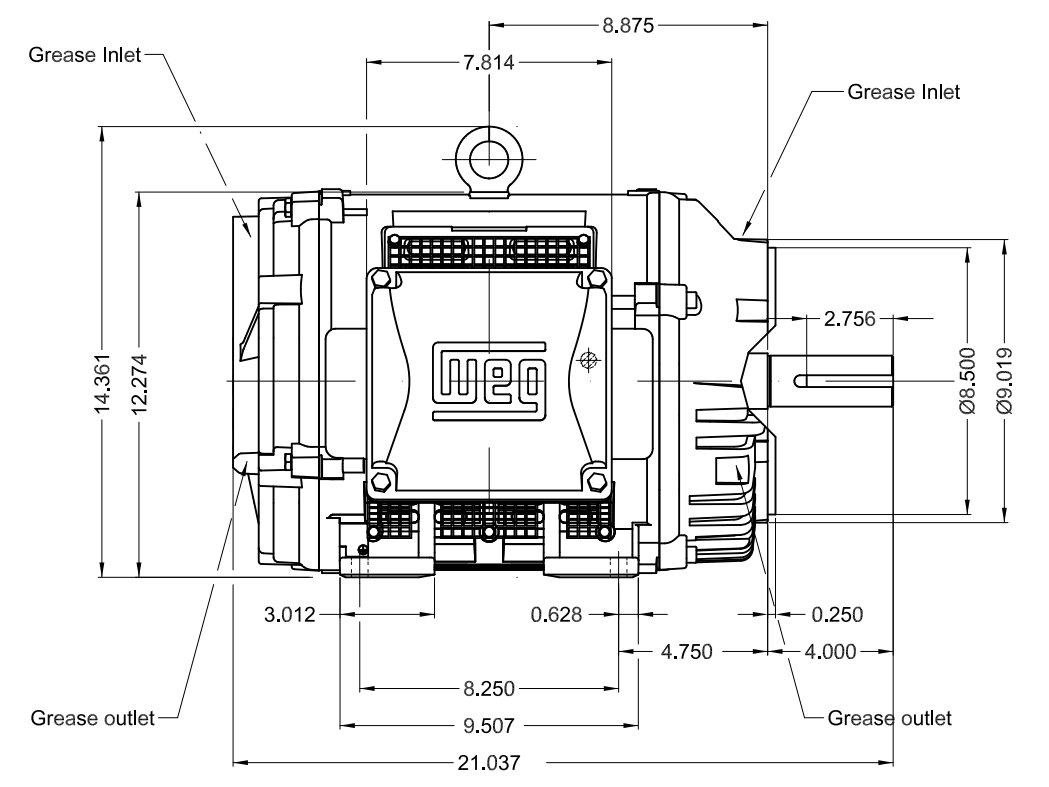
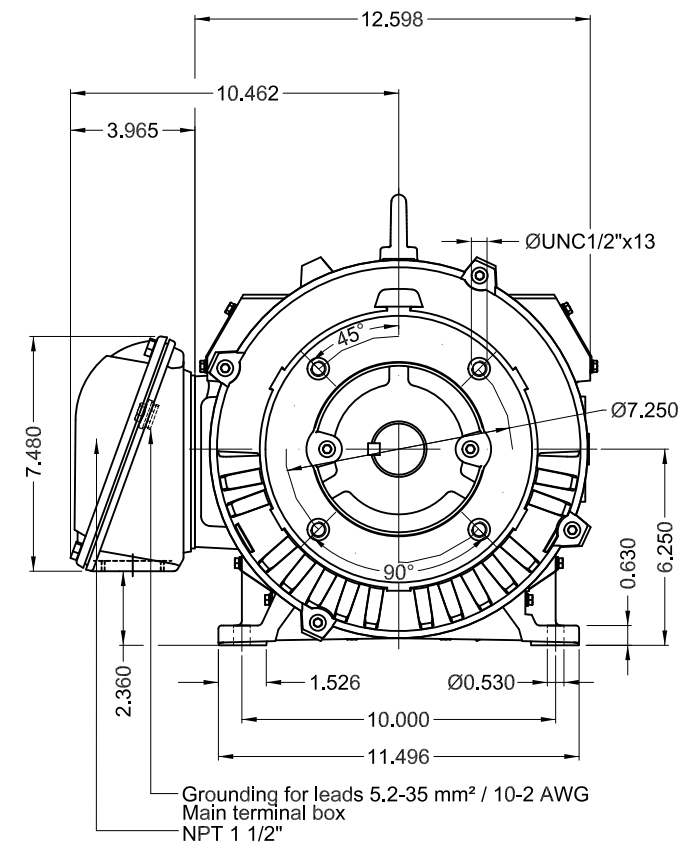
Rated current : 53.7-48.6/24.3 A  
 LRC : 6.3  
 Rated torque : 29.3 ft.lb  
 Locked rotor torque : 200 %  
 Breakdown torque : 280 %  
 Rated speed : 3535 rpm

Moment of inertia (J) : 0.8718 sq.ft.lb  
 Duty cycle : Cont.(S1)  
 Insulation class : F  
 Service factor : 1.25  
 Temperature rise : 80 K  
 Design : B

Rev.	Changes Summary	Performed	Checked	Date
Performed by			Page 2 / 2	Revision
Checked by				
Date	14/04/2019			

Dimensões em polegada  
Dimensions in inches

THIS IS AN UPDATED REVISION, THE  
PREVIOUS ONE MUST BE DISREGARDED.



Bearing cap									
Color RAL 5009									
Painting plan 203A									
Mounting B34R(D)									
						SCALE	1:6		
ECM	LOC	SUMMARY OF MODIFICATIONS			EXECUTED	CHECKED	RELEASED	DATE	VER
EXECUTED	USERADMIN	THREE PHASE W40 MOTOR NEMA PREMIUM EFF							
CHECKED		FRAME 254T IP23 ODP							
RELEASED		WEG code: 14494897							
REL DT	14.04.2019	WMO	Jaragua do Sul	Product Engineering	SHEET	1 / 1			

20 HP 02 Poles 60Hz

A

