

DATA SHEET



Three Phase Induction Motor - Squirrel Cage

Customer		: Dealers Industrial Equipment 800-469-3110				
Customer reference		: 02018OT3V256TC-W40				
Product line		: W40 NEMA Premium Efficiency Three-Phase		Product code :	14494894	
				Catalog # :	02018OT3V256TC-W40	
Frame	:	254/6TC		Locked rotor time	: 21s (cold) 12s (hot)	
Output	:	20 HP (15 kW)		Temperature rise	: 80 K	
Poles	:	4		Duty cycle	: Cont.(S1)	
Frequency	:	60 Hz		Ambient temperature	: -20°C to +40°C	
Rated voltage	:	200/400 V		Altitude	: 1000 m.a.s.l.	
Rated current	:	55.4/27.7 A		Protection degree	: IP23	
L. R. Amperes	:	355/177 A		Cooling method	: IC01 - ODP	
LRC	:	6.4x(Code G)		Mounting	: F-1	
No load current	:	23.0/11.5 A		Rotation ¹	: Both (CW and CCW)	
Rated speed	:	1765 rpm		Noise level ²	: 62.0 dB(A)	
Slip	:	1.94 %		Starting method	: Direct On Line	
Rated torque	:	58.7 ft.lb		Approx. weight ³	: 320 lb	
Locked rotor torque	:	220 %				
Breakdown torque	:	280 %				
Insulation class	:	F				
Service factor	:	1.25				
Moment of inertia (J)	:	3.13 sq.ft.lb				
Design	:	B				
Output	25%	50%	75%	100%	Foundation loads	
Efficiency (%)	92.2	92.4	93.0	93.0	Max. traction	
Power Factor	0.43	0.69	0.79	0.84	Max. compression	
		<u>Drive end</u>		<u>Non drive end</u>		
Bearing type	:	6309 Z C3		6209 Z C3		
Sealing	:	Without Bearing Seal		Without Bearing Seal		
Lubrication interval	:	20000 h		20000 h		
Lubricant amount	:	13 g		9 g		
Lubricant type	:	Mobil Polyrex EM				
Notes downloaded from http://dealerselectric.com						
This revision replaces and cancel the previous one, which must be eliminated. (1) Looking the motor from the shaft end. (2) Measured at 1m and with tolerance of +3dB(A). (3) Approximate weight subject to changes after manufacturing process. (4) At 100% of full load.			These are average values based on tests with sinusoidal power supply, subject to the tolerances stipulated in NEMA MG-1.			
Rev.	Changes Summary			Performed	Checked	Date
Performed by						
Checked by					Page	Revision
Date	13/04/2019				1 / 2	

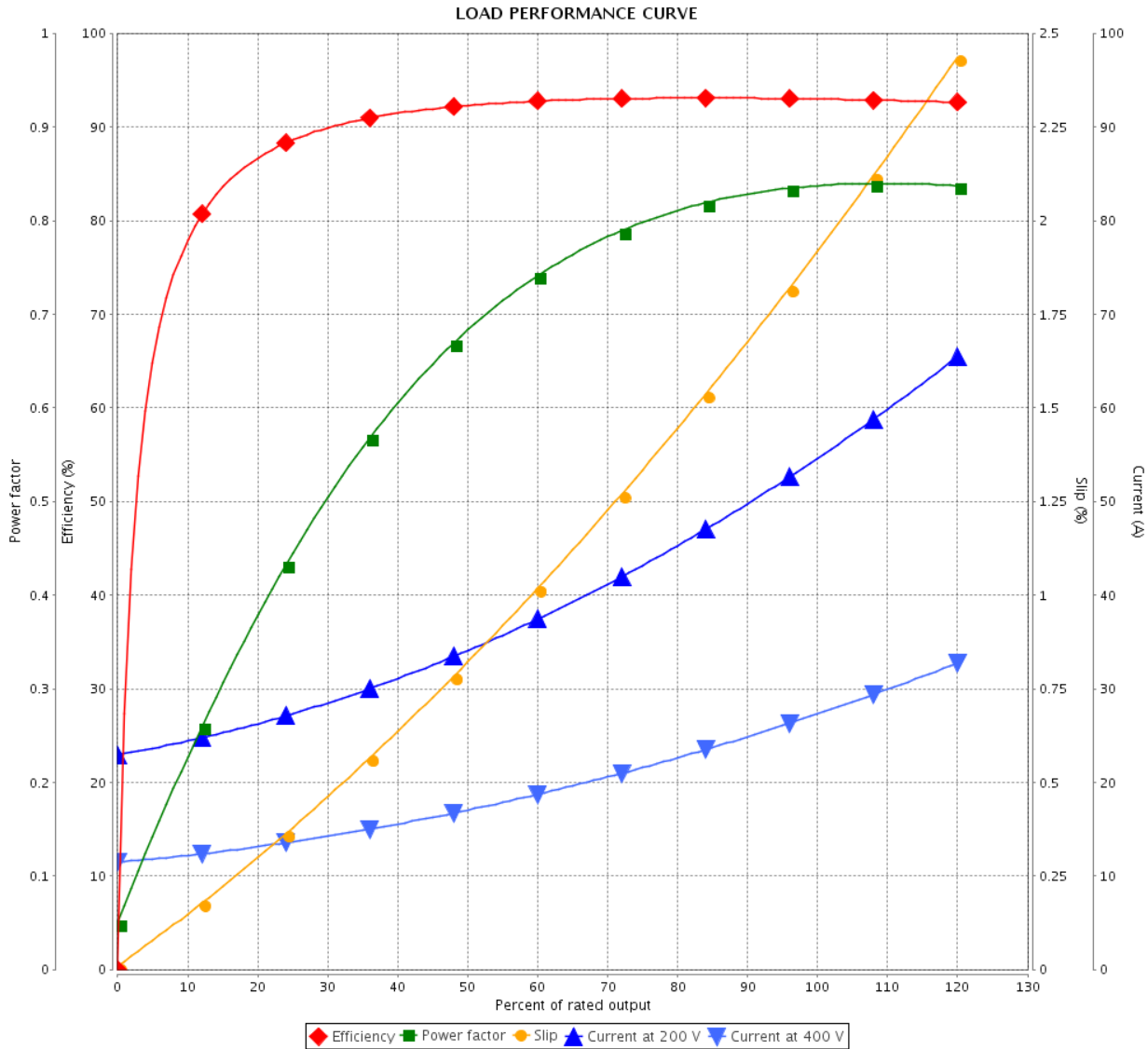
LOAD PERFORMANCE CURVE



Three Phase Induction Motor - Squirrel Cage

Customer : Dealers Industrial Equipment 800-469-3110
 Customer reference : 02018OT3V256TC-W40

Product line : W40 NEMA Premium Efficiency Three-Phase Product code : 14494894
 Catalog # : 02018OT3V256TC-W40



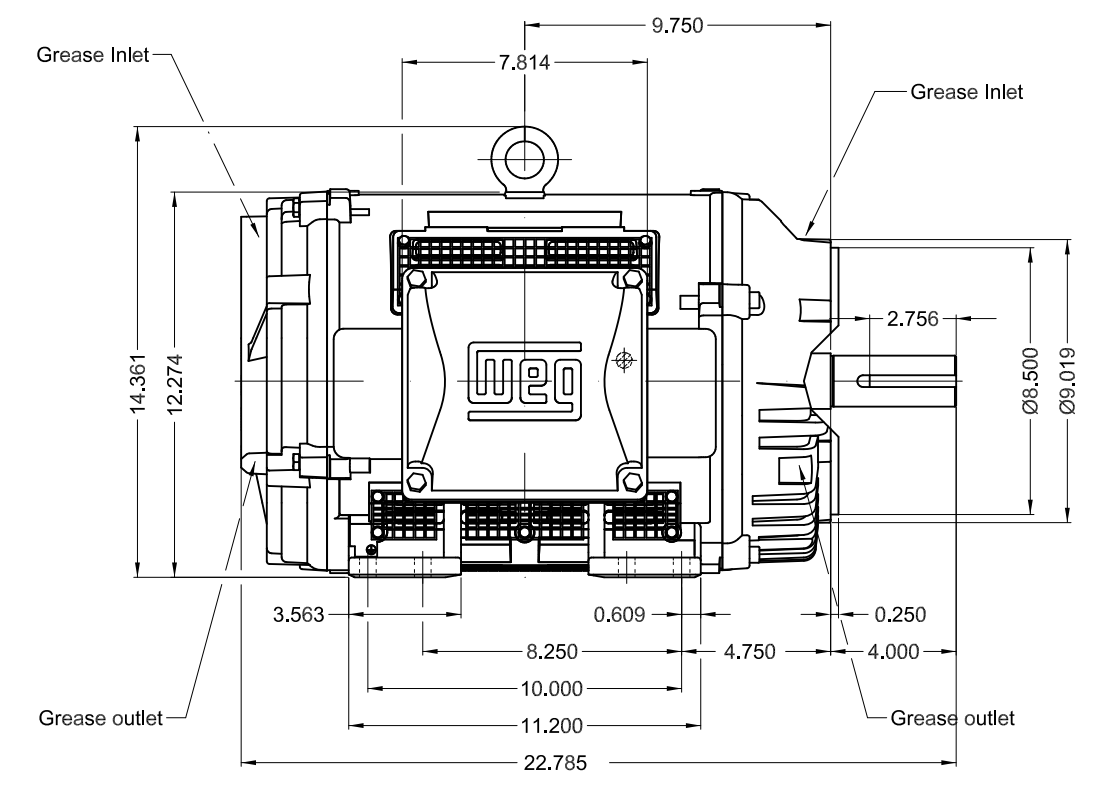
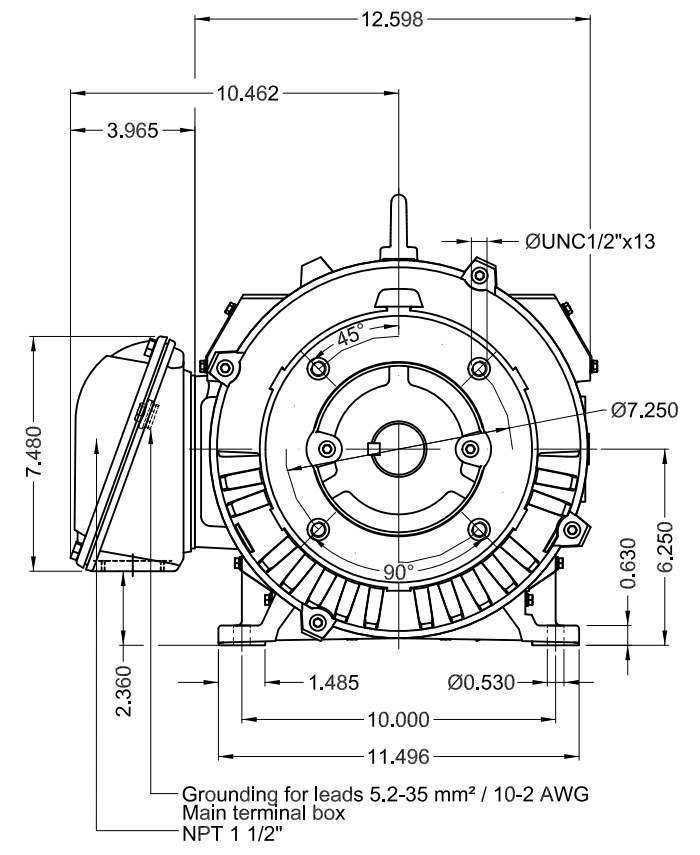
Performance : 200/400 V 60 Hz 4P

Rated current : 55.4/27.7 A	Moment of inertia (J) : 3.13 sq.ft.lb
LRC : 6.4	Duty cycle : Cont.(S1)
Rated torque : 58.7 ft.lb	Insulation class : F
Locked rotor torque : 220 %	Service factor : 1.25
Breakdown torque : 280 %	Temperature rise : 80 K
Rated speed : 1765 rpm	Design : B

Rev.	Changes Summary	Performed	Checked	Date
Performed by			Page	Revision
Checked by			2 / 2	
Date	13/04/2019			

Dimensões em polegada
Dimensions in inches

THIS IS AN UPDATED REVISION, THE
PREVIOUS ONE MUST BE DISREGARDED.



Bearing cap									
Color RAL 5009									
Painting plan 203A									
Mounting B34R(D)									
					SCALE	1:6			
ECM	LOC	SUMMARY OF MODIFICATIONS			EXECUTED	CHECKED	RELEASED	DATE	VER
EXECUTED	USERADMIN	THREE PHASE W40 MOTOR NEMA PREMIUM EFF							
CHECKED		FRAME 254/6TC IP23 ODP							
RELEASED		WEG code: 14494894							
REL DT	13.04.2019	WMO	Jaragua do Sul	Product Engineering	SHEET	1 / 1			

20 HP 04 Poles 60Hz

A

