

DATA SHEET



Three Phase Induction Motor - Squirrel Cage

Customer : Dealers Industrial Equipment 800-469-3110
Customer reference : 02012OT3H286TC-W40

Product line : W40 NEMA Premium Efficiency Three-Phase Product code : 14494190
Catalog # : 02012OT3H286TC-W40

Frame	: 284/6TC	Locked rotor time	: 27s (cold) 15s (hot)
Output	: 20 HP (15 kW)	Temperature rise	: 80 K
Poles	: 6	Duty cycle	: Cont.(S1)
Frequency	: 60 Hz	Ambient temperature	: -20°C to +40°C
Rated voltage	: 575 V	Altitude	: 1000 m.a.s.l.
Rated current	: 19.4 A	Protection degree	: IP23
L. R. Amperes	: 124 A	Cooling method	: IC01 - ODP
LRC	: 6.4x(Code G)	Mounting	: F-1
No load current	: 7.52 A	Rotation ¹	: Both (CW and CCW)
Rated speed	: 1177 rpm	Noise level ²	: 59.0 dB(A)
Slip	: 1.92 %	Starting method	: Direct On Line
Rated torque	: 88.0 ft.lb	Approx. weight ³	: 410 lb
Locked rotor torque	: 229 %		
Breakdown torque	: 260 %		
Insulation class	: F		
Service factor	: 1.25		
Moment of inertia (J)	: 6.89 sq.ft.lb		
Design	: B		

Output	25%	50%	75%	100%	Foundation loads
Efficiency (%)	91.5	91.7	92.4	92.4	Max. traction
Power Factor	0.45	0.71	0.80	0.84	Max. compression

		<u>Drive end</u>	<u>Non drive end</u>
Bearing type	:	6311 Z C3	6211 Z C3
Sealing	:	Without Bearing Seal	Without Bearing Seal
Lubrication interval	:	20000 h	20000 h
Lubricant amount	:	18 g	11 g
Lubricant type	:	Mobil Polyrex EM	

Notes
downloaded from <http://dealerselectric.com>

This revision replaces and cancel the previous one, which must be eliminated.

- (1) Looking the motor from the shaft end.
- (2) Measured at 1m and with tolerance of +3dB(A).
- (3) Approximate weight subject to changes after manufacturing process.
- (4) At 100% of full load.

These are average values based on tests with sinusoidal power supply, subject to the tolerances stipulated in NEMA MG-1.

Rev.	Changes Summary	Performed	Checked	Date
Performed by				
Checked by			Page	Revision
Date	13/04/2019		1 / 2	

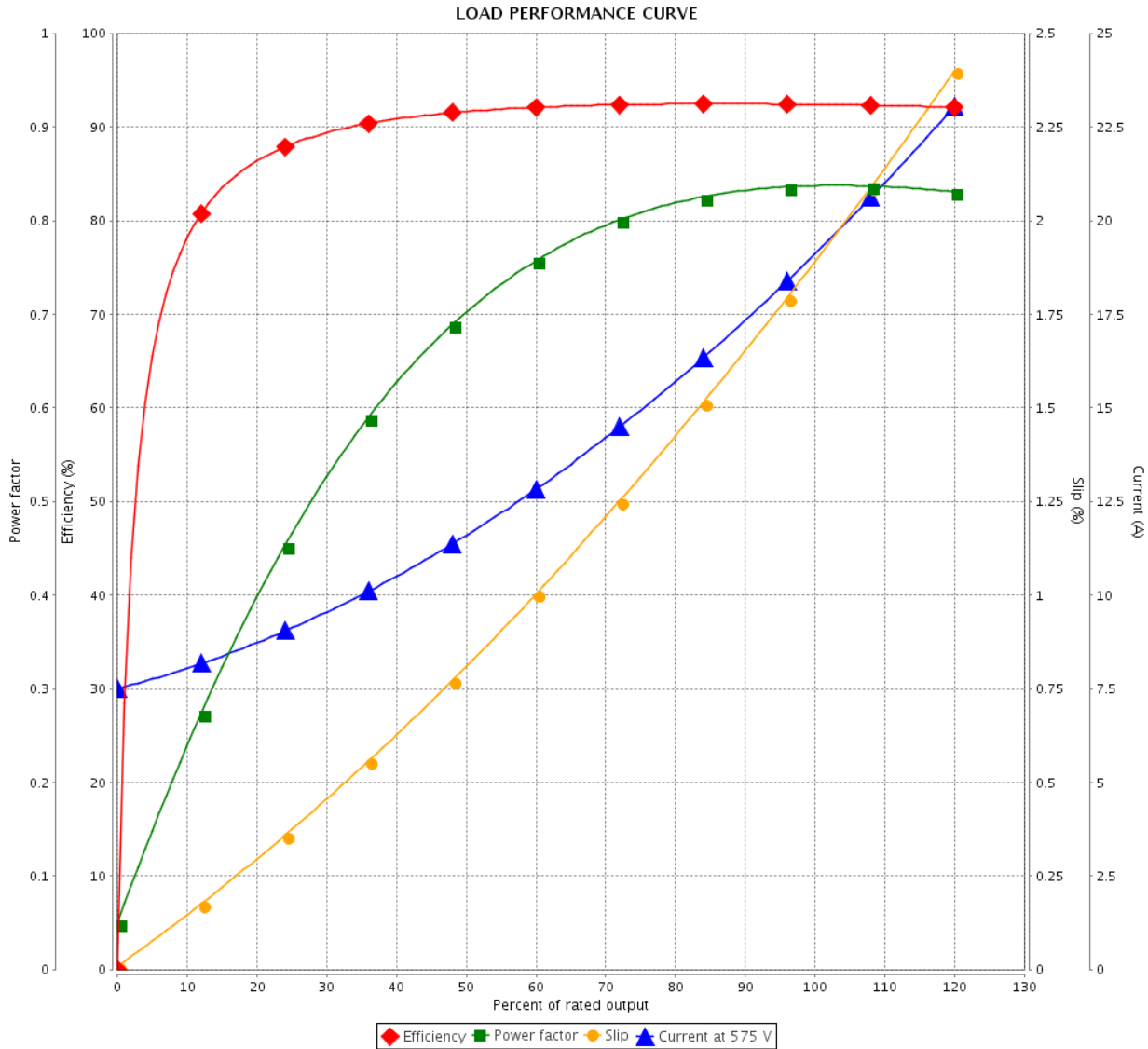
LOAD PERFORMANCE CURVE



Three Phase Induction Motor - Squirrel Cage

Customer : Dealers Industrial Equipment 800-469-3110
 Customer reference : 02012OT3H286TC-W40

Product line : W40 NEMA Premium Efficiency Three-Phase Product code : 14494190
 Catalog # : 02012OT3H286TC-W40



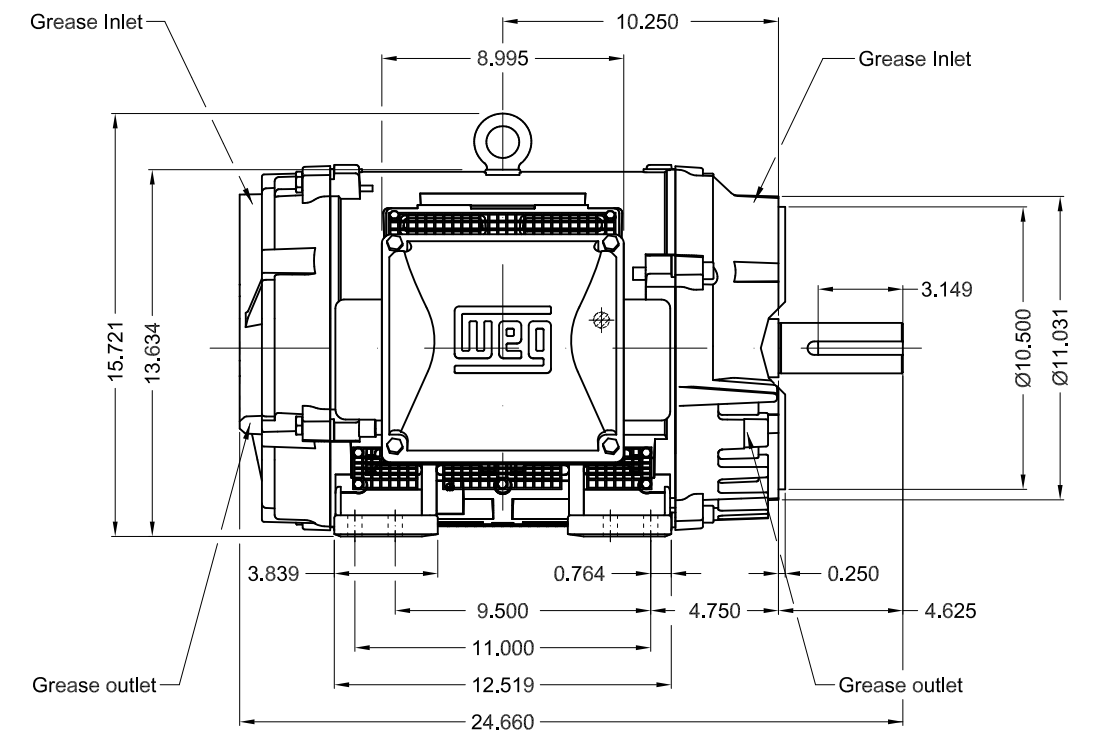
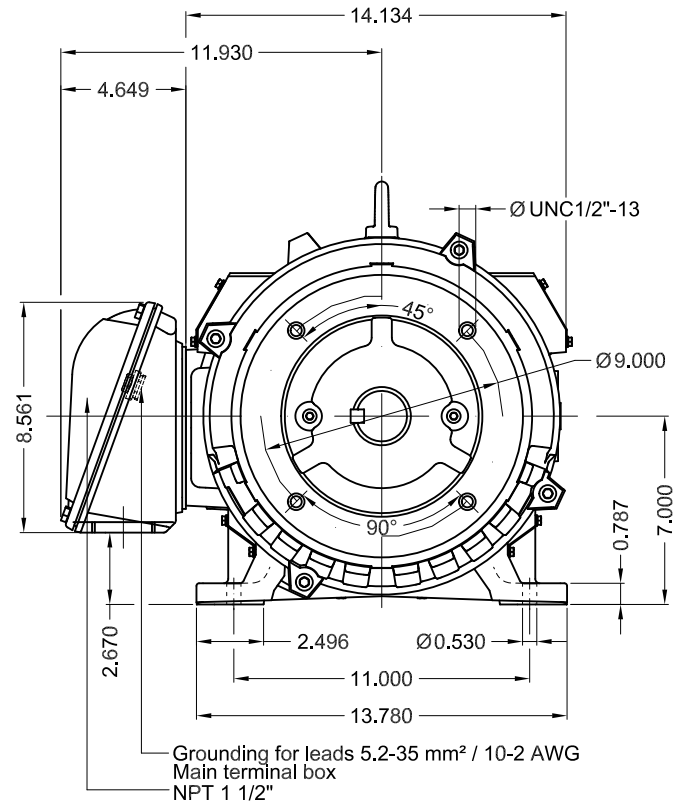
Performance : 575 V 60 Hz 6P

Rated current : 19.4 A	Moment of inertia (J) : 6.89 sq.ft.lb
LRC : 6.4	Duty cycle : Cont.(S1)
Rated torque : 88.0 ft.lb	Insulation class : F
Locked rotor torque : 229 %	Service factor : 1.25
Breakdown torque : 260 %	Temperature rise : 80 K
Rated speed : 1177 rpm	Design : B

Rev.	Changes Summary	Performed	Checked	Date
Performed by			Page 2 / 2	Revision
Checked by				
Date	13/04/2019			

Dimensões em polegada
Dimensions in inches

THIS IS AN UPDATED REVISION, THE
PREVIOUS ONE MUST BE DISREGARDED.



Bearing cap						SCALE		1:7		
Color RAL 5009										
Painting plan 203A										
Mounting B34R(D)										
ECM		LOC		SUMMARY OF MODIFICATIONS		EXECUTED	CHECKED	RELEASED	DATE	VER
EXECUTED		USERADMIN		THREE PHASE W40 MOTOR NEMA PREMIUM EFF						
CHECKED				FRAME 284/6TC IP23 ODP						
RELEASED				WEG code: 14494190						
REL DT		13.04.2019		WMO Jaragua do Sul		Product Engineering	SHEET	1 / 1		

20 HP 06 Poles 60Hz

A

