

# DATA SHEET



## Three Phase Induction Motor - Squirrel Cage

Customer : Dealers Industrial Equipment 800-469-3110		Customer reference : 02012OT3E286T-W40			
Product line : W40 NEMA Premium Efficiency Three-Phase	Product code : 14494186	Catalog # : 02012OT3E286T-W40			
Frame : 284/6T Output : 20 HP (15 kW) Poles : 6 Frequency : 60 Hz Rated voltage : 208-230/460 V Rated current : 53.7-48.6/24.3 A L. R. Amperes : 344-311/156 A LRC : 6.4x(Code G) No load current : 16.2-18.8/9.40 A Rated speed : 1177 rpm Slip : 1.92 % Rated torque : 88.0 ft.lb Locked rotor torque : 229 % Breakdown torque : 260 % Insulation class : F Service factor : 1.25 Moment of inertia (J) : 6.89 sq.ft.lb Design : B	Locked rotor time : 27s (cold) 15s (hot) Temperature rise : 80 K Duty cycle : Cont.(S1) Ambient temperature : -20°C to +40°C Altitude : 1000 m.a.s.l. Protection degree : IP23 Cooling method : IC01 - ODP Mounting : F-1 Rotation <sup>1</sup> : Both (CW and CCW) Noise level <sup>2</sup> : 59.0 dB(A) Starting method : Direct On Line Approx. weight <sup>3</sup> : 384 lb				
Output	25%	50%	75%	100%	Foundation loads
Efficiency (%)	91.5	91.7	92.4	92.4	Max. traction
Power Factor	0.45	0.71	0.80	0.84	Max. compression
			<u>Drive end</u>	<u>Non drive end</u>	
Bearing type	:	6311 Z C3	6211 Z C3		
Sealing	:	Without Bearing Seal	Without Bearing Seal		
Lubrication interval	:	20000 h	20000 h		
Lubricant amount	:	18 g	11 g		
Lubricant type	:	Mobil Polyrex EM			
Notes downloaded from <a href="http://dealerselectric.com">http://dealerselectric.com</a>					
This revision replaces and cancel the previous one, which must be eliminated. (1) Looking the motor from the shaft end. (2) Measured at 1m and with tolerance of +3dB(A). (3) Approximate weight subject to changes after manufacturing process. (4) At 100% of full load.			These are average values based on tests with sinusoidal power supply, subject to the tolerances stipulated in NEMA MG-1.		
Rev.	Changes Summary		Performed	Checked	Date
Performed by					
Checked by				Page	Revision
Date	13/04/2019			1 / 2	

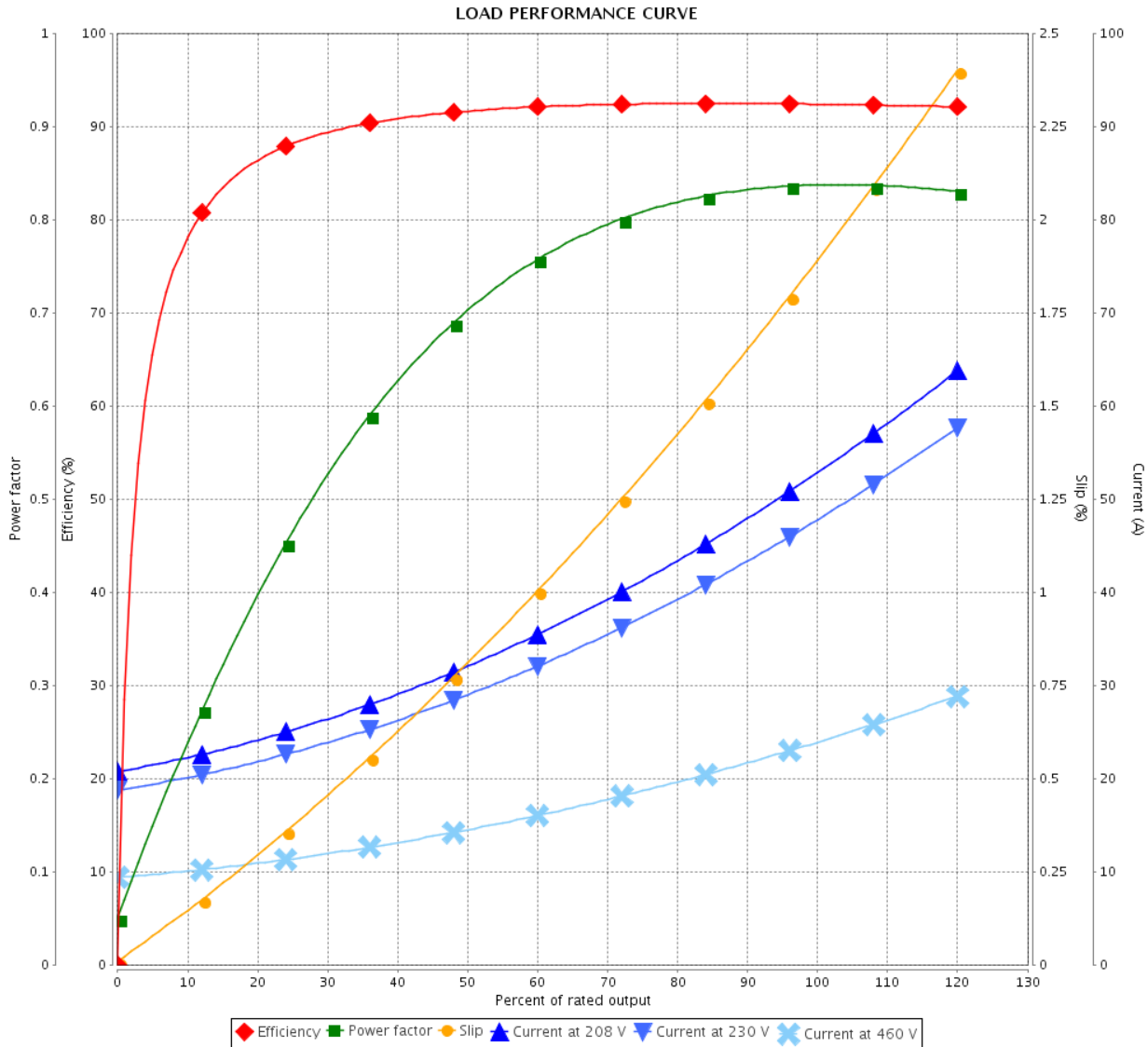
# LOAD PERFORMANCE CURVE



## Three Phase Induction Motor - Squirrel Cage

Customer : Dealers Industrial Equipment 800-469-3110  
 Customer reference : 02012OT3E286T-W40

Product line : W40 NEMA Premium Efficiency Three-Phase      Product code : 14494186  
 Catalog # : 02012OT3E286T-W40



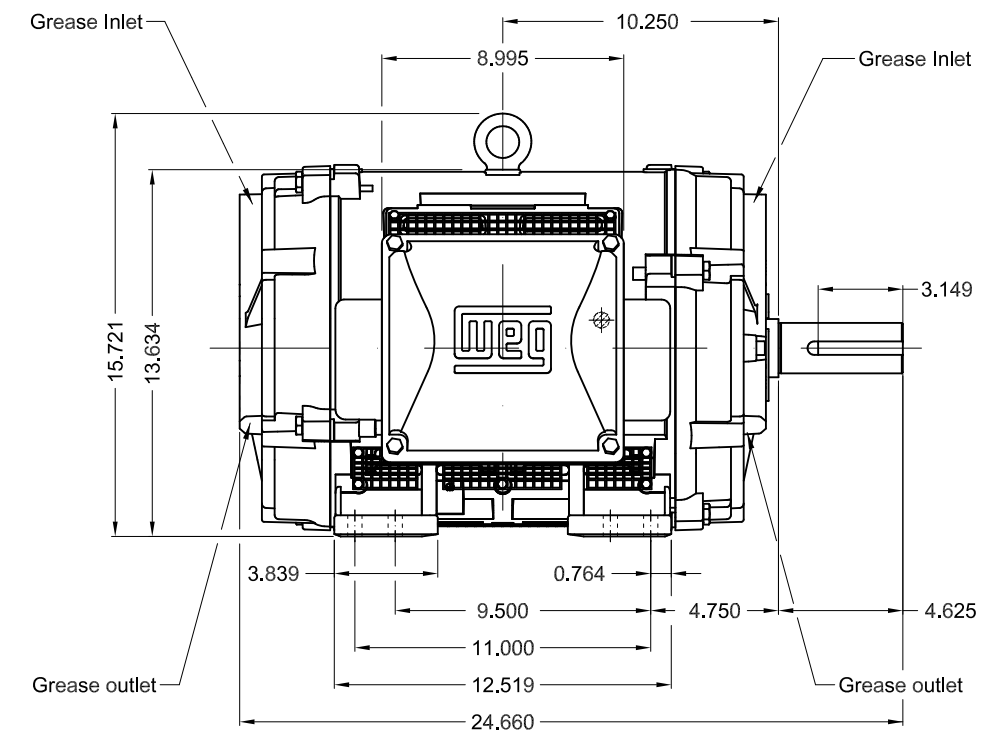
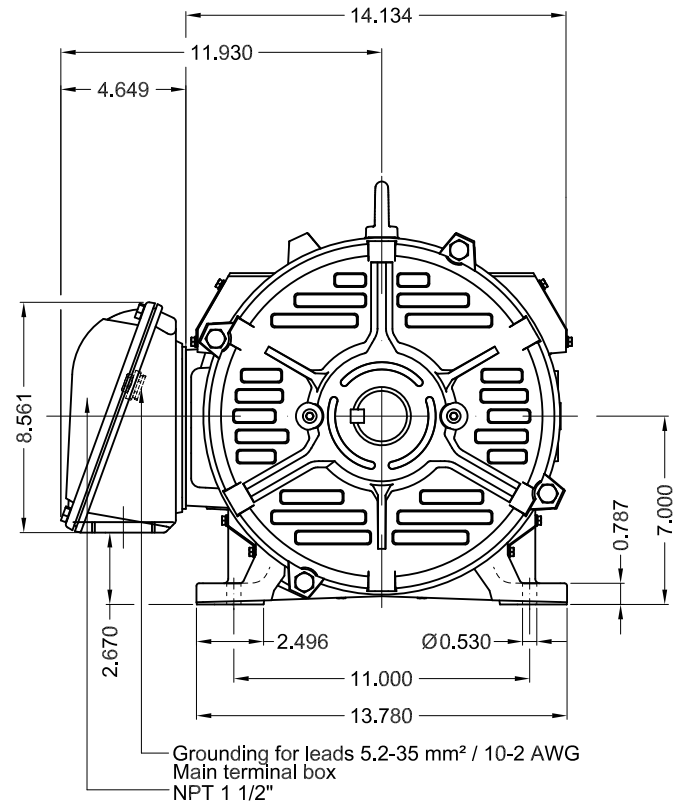
Performance : 208-230/460 V 60 Hz 6P

Rated current : 53.7-48.6/24.3 A	Moment of inertia (J) : 6.89 sq.ft.lb
LRC : 6.4	Duty cycle : Cont.(S1)
Rated torque : 88.0 ft.lb	Insulation class : F
Locked rotor torque : 229 %	Service factor : 1.25
Breakdown torque : 260 %	Temperature rise : 80 K
Rated speed : 1177 rpm	Design : B

Rev.	Changes Summary	Performed	Checked	Date
Performed by			Page	Revision
Checked by				
Date				

Dimensões em polegada  
Dimensions in inches

THIS IS AN UPDATED REVISION, THE  
PREVIOUS ONE MUST BE DISREGARDED.



Color RAL 5009  
Painting plan 203A  
Mounting B3R(D)

					SCALE	1:7		
ECM	LOC	SUMMARY OF MODIFICATIONS		EXECUTED	CHECKED	RELEASED	DATE	VER
EXECUTED	USERADMIN		THREE PHASE W40 MOTOR NEMA PREMIUM EFF					
CHECKED			FRAME 284/6T IP23 ODP					
RELEASED			WEG code: 14494186					
REL DT	13.04.2019	WMO	Jaragua do Sul	Product Engineering	SHEET	1 / 1		

20 HP 06 Poles 60Hz

A



ZME A3