

DATA SHEET



Three Phase Induction Motor - Squirrel Cage

Customer : Dealers Industrial Equipment 800-469-3110
 Customer reference : 01518OT3V254TC-W40

Product line : W40 NEMA Premium Efficiency Three-Phase Product code : 14494185
 Catalog # : 01518OT3V254TC-W40

Frame : 254TC Output : 15 HP (11 kW) Poles : 4 Frequency : 60 Hz Rated voltage : 200/400 V Rated current : 40.2/20.1 A L. R. Amperes : 258/129 A LRC : 6.4x(Code G) No load current : 15.0/7.47 A Rated speed : 1770 rpm Slip : 1.67 % Rated torque : 43.9 ft.lb Locked rotor torque : 240 % Breakdown torque : 280 % Insulation class : F Service factor : 1.25 Moment of inertia (J) : 2.72 sq.ft.lb Design : B	Locked rotor time : 30s (cold) 17s (hot) Temperature rise : 80 K Duty cycle : Cont.(S1) Ambient temperature : -20°C to +40°C Altitude : 1000 m.a.s.l. Protection degree : IP23 Cooling method : IC01 - ODP Mounting : F-1 Rotation ¹ : Both (CW and CCW) Noise level ² : 62.0 dB(A) Starting method : Direct On Line Approx. weight ³ : 289 lb
--	--

Output	25%	50%	75%	100%	Foundation loads
Efficiency (%)	91.0	91.7	92.4	93.0	Max. traction
Power Factor	0.28	0.38	0.78	0.85	Max. compression

	<u>Drive end</u>	<u>Non drive end</u>
Bearing type :	6309 Z C3	6209 Z C3
Sealing :	Without Bearing Seal	Without Bearing Seal
Lubrication interval :	20000 h	20000 h
Lubricant amount :	13 g	9 g
Lubricant type :	Mobil Polyrex EM	

Notes
 downloaded from <http://dealerselectric.com>

This revision replaces and cancel the previous one, which must be eliminated.
 (1) Looking the motor from the shaft end.
 (2) Measured at 1m and with tolerance of +3dB(A).
 (3) Approximate weight subject to changes after manufacturing process.
 (4) At 100% of full load.

These are average values based on tests with sinusoidal power supply, subject to the tolerances stipulated in NEMA MG-1.

Rev.	Changes Summary	Performed	Checked	Date
Performed by			Page 1 / 2	Revision
Checked by				
Date	13/04/2019			

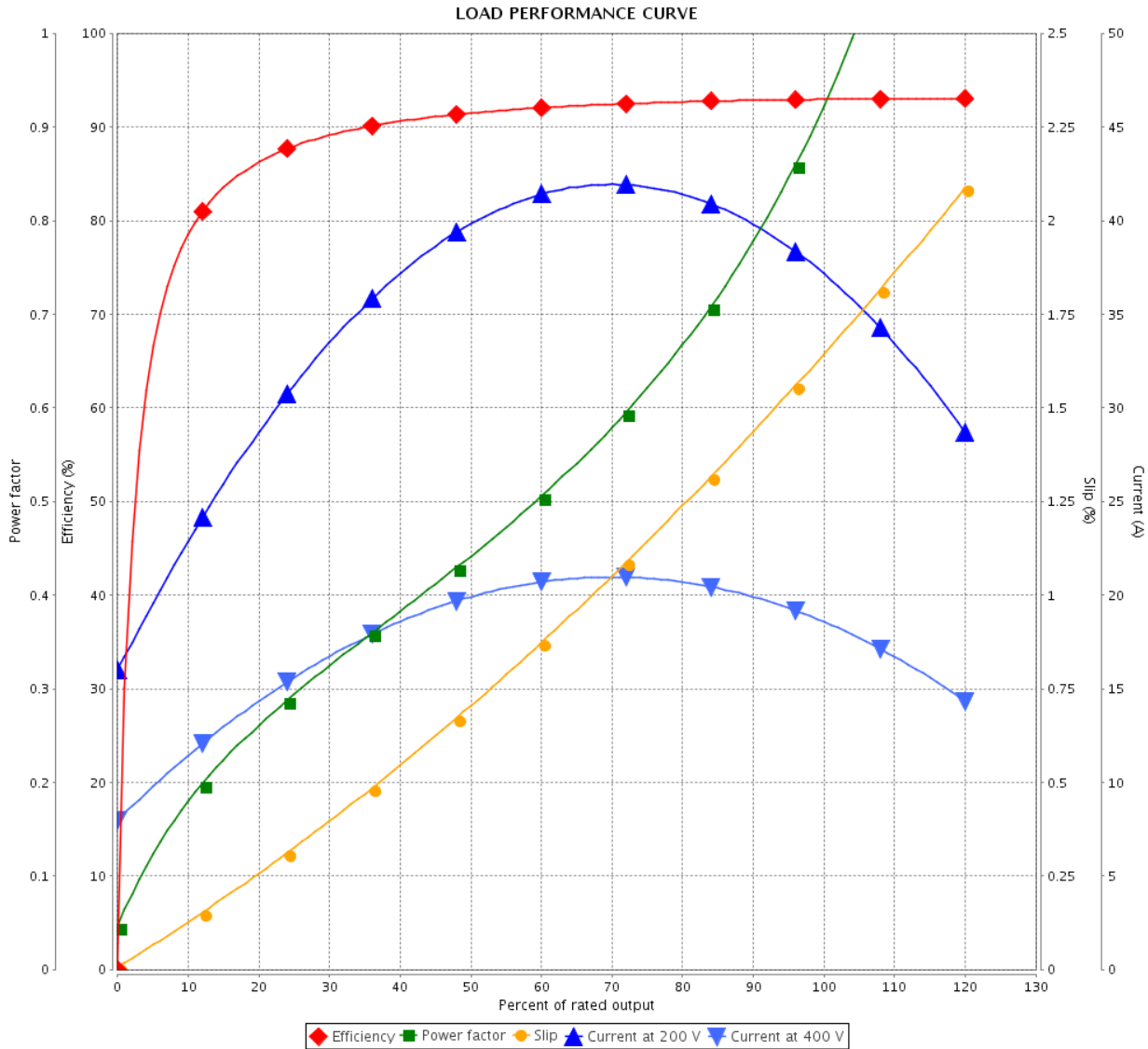
LOAD PERFORMANCE CURVE



Three Phase Induction Motor - Squirrel Cage

Customer : Dealers Industrial Equipment 800-469-3110
 Customer reference : 01518OT3V254TC-W40

Product line : W40 NEMA Premium Efficiency Three-Phase Product code : 14494185
 Catalog # : 01518OT3V254TC-W40



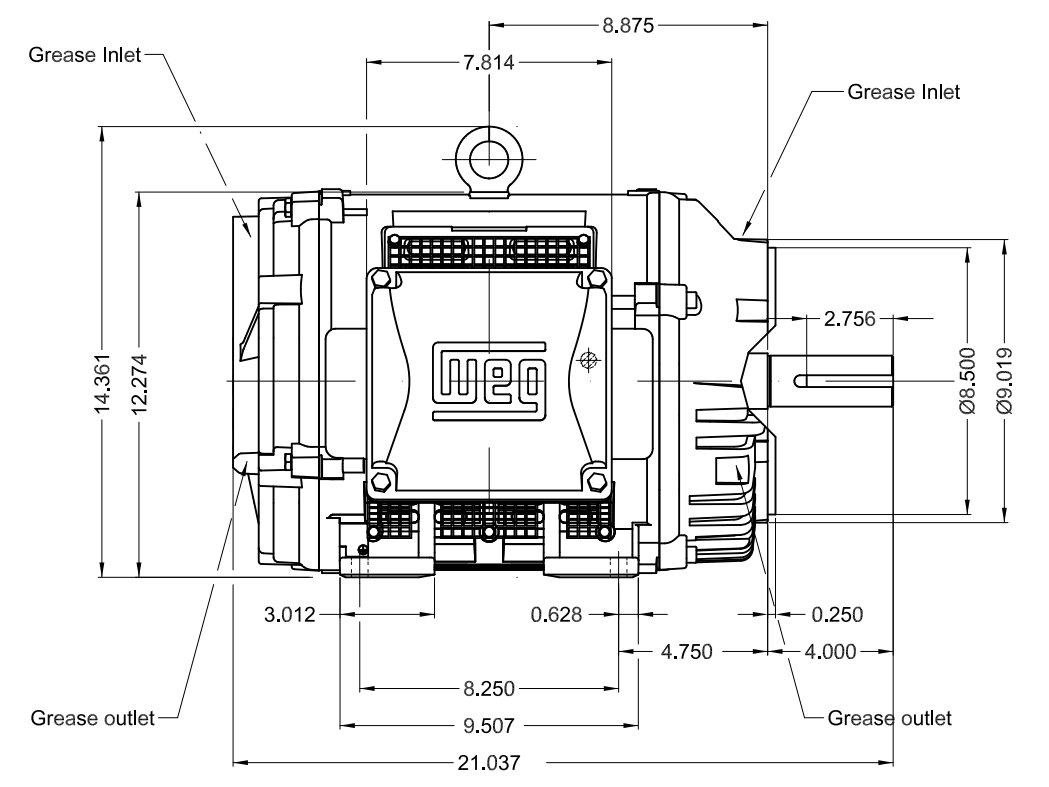
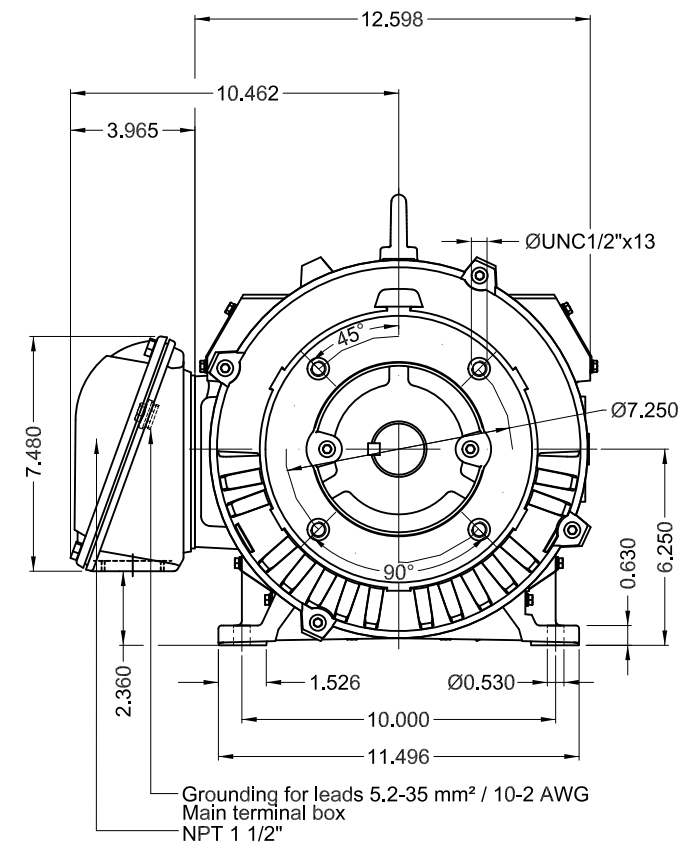
Performance : 200/400 V 60 Hz 4P

Rated current : 40.2/20.1 A	Moment of inertia (J) : 2.72 sq.ft.lb
LRC : 6.4	Duty cycle : Cont.(S1)
Rated torque : 43.9 ft.lb	Insulation class : F
Locked rotor torque : 240 %	Service factor : 1.25
Breakdown torque : 280 %	Temperature rise : 80 K
Rated speed : 1770 rpm	Design : B

Rev.	Changes Summary	Performed	Checked	Date
Performed by			Page 2 / 2	Revision
Checked by				
Date	13/04/2019			

Dimensões em polegada
Dimensions in inches

THIS IS AN UPDATED REVISION, THE
PREVIOUS ONE MUST BE DISREGARDED.



Bearing cap									
Color RAL 5009									
Painting plan 203A									
Mounting B34R(D)									
						SCALE	1:6		
ECM	LOC	SUMMARY OF MODIFICATIONS			EXECUTED	CHECKED	RELEASED	DATE	VER
EXECUTED	USERADMIN	THREE PHASE W40 MOTOR NEMA PREMIUM EFF							
CHECKED		FRAME 254TC IP23 ODP							
RELEASED		WEG code: 14494185							
REL DT	13.04.2019	WMO	Jaragua do Sul	Product Engineering	SHEET	1 / 1			

15 HP 04 Poles 60Hz

A