

DATA SHEET



Three Phase Induction Motor - Squirrel Cage

Customer		: Dealers Industrial Equipment 800-469-3110			
Customer reference		: 01518OT3E254TC-W40			
Product line		: W40 NEMA Premium Efficiency Three-Phase		Product code : 14494163	
				Catalog # : 01518OT3E254TC-W40	
Frame		: 254TC		Locked rotor time	
Output		: 15 HP (11 kW)		: 30s (cold) 17s (hot)	
Poles		: 4		Temperature rise	
Frequency		: 60 Hz		: 80 K	
Rated voltage		: 208-230/460 V		Duty cycle	
Rated current		: 38.7-35.0/17.5 A		: Cont.(S1)	
L. R. Amperes		: 248-224/112 A		Ambient temperature	
LRC		: 6.4x(Code G)		: -20°C to +40°C	
No load current		: 11.2-13.0/6.50 A		Altitude	
Rated speed		: 1770 rpm		: 1000 m.a.s.l.	
Slip		: 1.67 %		Protection degree	
Rated torque		: 43.9 ft.lb		: IP23	
Locked rotor torque		: 240 %		Cooling method	
Breakdown torque		: 280 %		: IC01 - ODP	
Insulation class		: F		Mounting	
Service factor		: 1.25		: F-1	
Moment of inertia (J)		: 2.72 sq.ft.lb		Rotation ¹	
Design		: B		: Both (CW and CCW)	
				Noise level ²	
				: 62.0 dB(A)	
				Starting method	
				: Direct On Line	
				Approx. weight ³	
				: 268 lb	
Output	25%	50%	75%	100%	Foundation loads
Efficiency (%)	91.0	91.7	92.4	93.0	Max. traction
Power Factor	0.28	0.38	0.78	0.85	Max. compression
		<u>Drive end</u>		<u>Non drive end</u>	
Bearing type		: 6309 Z C3		6209 Z C3	
Sealing		: Without Bearing Seal		Without Bearing Seal	
Lubrication interval		: 20000 h		20000 h	
Lubricant amount		: 13 g		9 g	
Lubricant type		: Mobil Polyrex EM			
Notes downloaded from http://dealerselectric.com					
This revision replaces and cancel the previous one, which must be eliminated. (1) Looking the motor from the shaft end. (2) Measured at 1m and with tolerance of +3dB(A). (3) Approximate weight subject to changes after manufacturing process. (4) At 100% of full load.			These are average values based on tests with sinusoidal power supply, subject to the tolerances stipulated in NEMA MG-1.		
Rev.	Changes Summary			Performed	Checked
Performed by					
Checked by					
Date	13/04/2019			Page	Revision
				1 / 2	

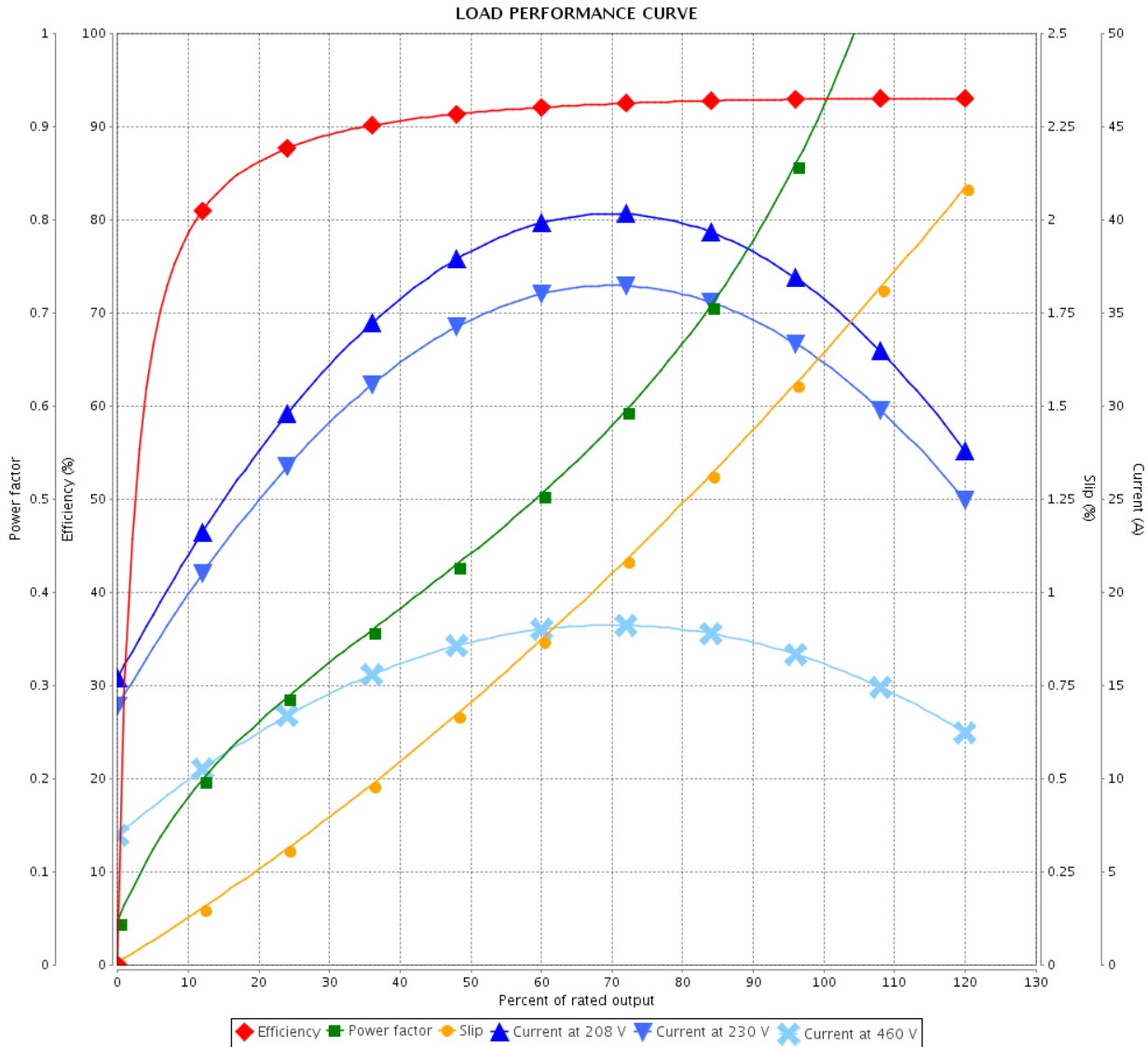
LOAD PERFORMANCE CURVE



Three Phase Induction Motor - Squirrel Cage

Customer : Dealers Industrial Equipment 800-469-3110
 Customer reference : 01518OT3E254TC-W40

Product line : W40 NEMA Premium Efficiency Three-Phase Product code : 14494163
 Catalog # : 01518OT3E254TC-W40



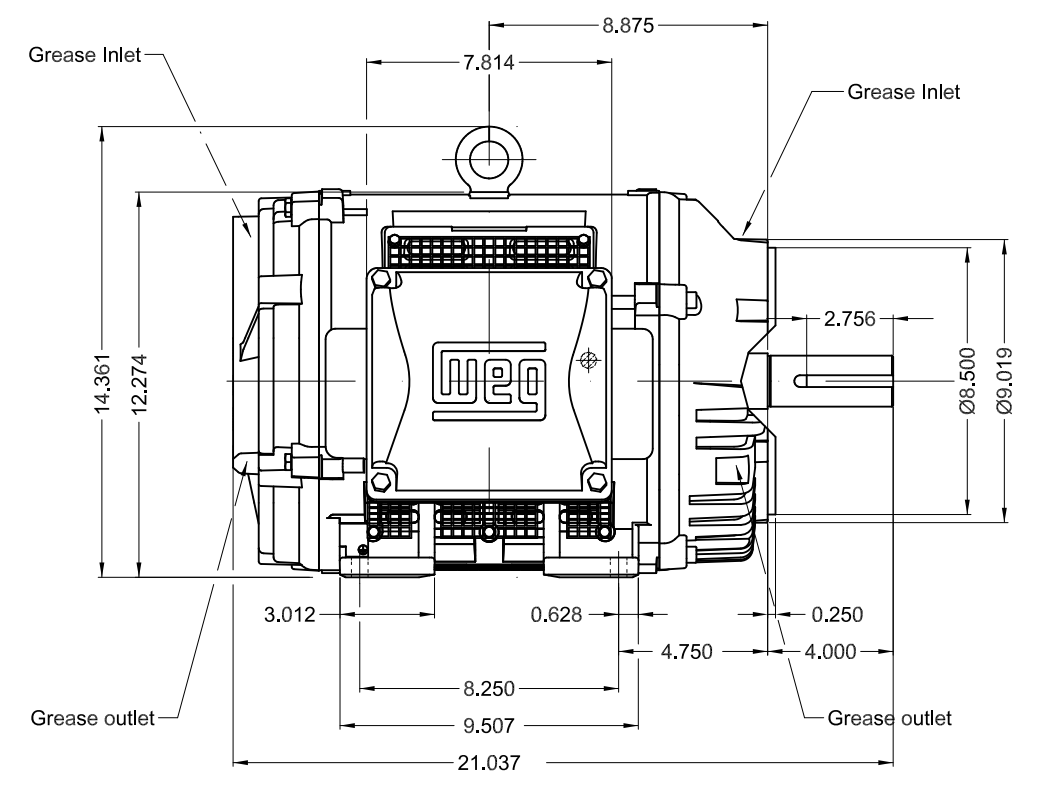
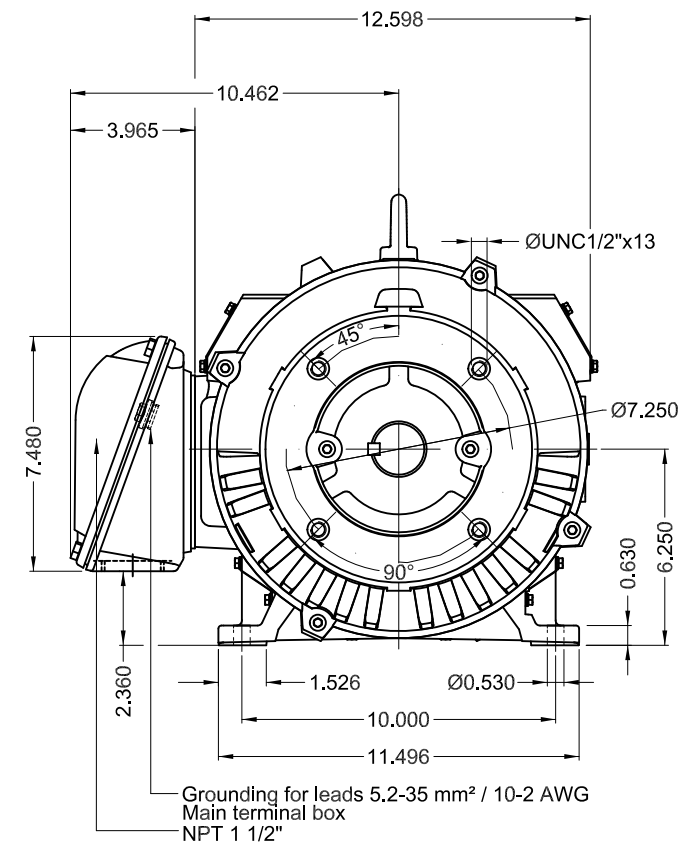
Performance : 208-230/460 V 60 Hz 4P

Rated current : 38.7-35.0/17.5 A	Moment of inertia (J) : 2.72 sq.ft.lb
LRC : 6.4	Duty cycle : Cont.(S1)
Rated torque : 43.9 ft.lb	Insulation class : F
Locked rotor torque : 240 %	Service factor : 1.25
Breakdown torque : 280 %	Temperature rise : 80 K
Rated speed : 1770 rpm	Design : B

Rev.	Changes Summary	Performed	Checked	Date
Performed by			Page 2 / 2	Revision
Checked by				
Date	13/04/2019			

Dimensões em polegada
Dimensions in inches

THIS IS AN UPDATED REVISION, THE
PREVIOUS ONE MUST BE DISREGARDED.



Bearing cap									
Color RAL 5009									
Painting plan 203A									
Mounting B34R(D)									
						SCALE	1:6		
ECM	LOC	SUMMARY OF MODIFICATIONS			EXECUTED	CHECKED	RELEASED	DATE	VER
EXECUTED	USERADMIN	THREE PHASE W40 MOTOR NEMA PREMIUM EFF							
CHECKED		FRAME 254TC IP23 ODP							
RELEASED		WEG code: 14494163							
REL DT	13.04.2019	WMO	Jaragua do Sul	Product Engineering	SHEET	1 / 1			

15 HP 04 Poles 60Hz

A

