

DATA SHEET



Three Phase Induction Motor - Squirrel Cage

Customer : Dealers Industrial Equipment 800-469-3110		Customer reference : 01512OT3H284T-W40				
Product line : W40 NEMA Premium Efficiency Three-Phase	Product code : 14494160	Catalog # : 01512OT3H284T-W40				
Frame : 284T Output : 15 HP (11 kW) Poles : 6 Frequency : 60 Hz Rated voltage : 575 V Rated current : 14.7 A L. R. Amperes : 92.7 A LRC : 6.3x(Code G) No load current : 6.24 A Rated speed : 1180 rpm Slip : 1.67 % Rated torque : 65.9 ft.lb Locked rotor torque : 260 % Breakdown torque : 260 % Insulation class : F Service factor : 1.25 Moment of inertia (J) : 4.80 sq.ft.lb Design : B	Locked rotor time : 28s (cold) 16s (hot) Temperature rise : 80 K Duty cycle : Cont.(S1) Ambient temperature : -20°C to +40°C Altitude : 1000 m.a.s.l. Protection degree : IP23 Cooling method : IC01 - ODP Mounting : F-1 Rotation ¹ : Both (CW and CCW) Noise level ² : 59.0 dB(A) Starting method : Direct On Line Approx. weight ³ : 337 lb					
Output	25%	50%	75%	100%	Foundation loads Max. traction Max. compression	
Efficiency (%)	90.8	91.0	91.7	91.7		
Power Factor	0.42	0.67	0.77	0.82		
Bearing type	:	<u>Drive end</u> 6311 Z C3		<u>Non drive end</u> 6211 Z C3		
Sealing	:	Without Bearing Seal		Without Bearing Seal		
Lubrication interval	:	20000 h		20000 h		
Lubricant amount	:	18 g		11 g		
Lubricant type	:	Mobil Polyrex EM				
Notes downloaded from http://dealerselectric.com						
This revision replaces and cancel the previous one, which must be eliminated. (1) Looking the motor from the shaft end. (2) Measured at 1m and with tolerance of +3dB(A). (3) Approximate weight subject to changes after manufacturing process. (4) At 100% of full load.			These are average values based on tests with sinusoidal power supply, subject to the tolerances stipulated in NEMA MG-1.			
Rev.	Changes Summary			Performed	Checked	Date
Performed by						
Checked by					Page	Revision
Date	13/04/2019				1 / 2	

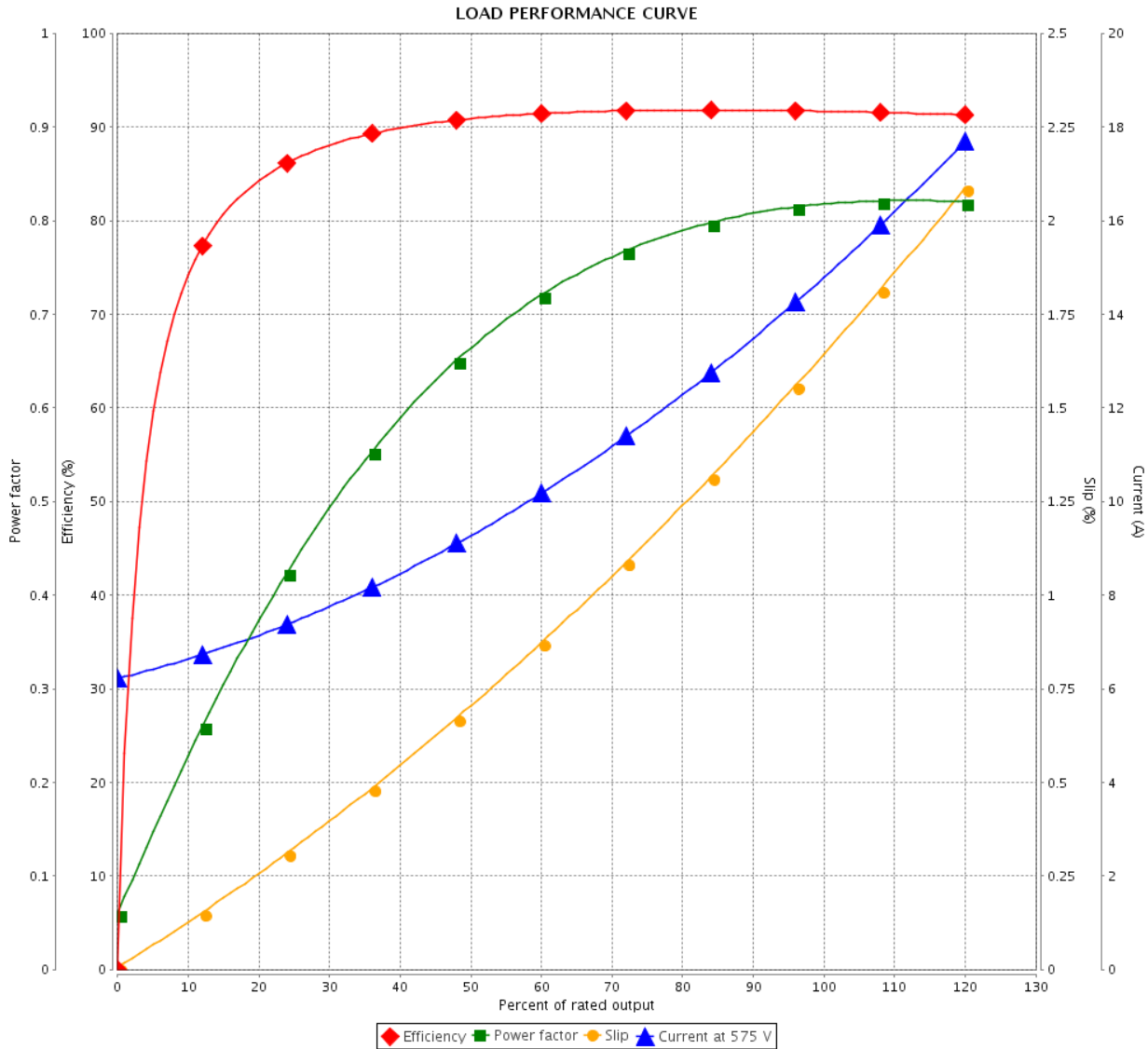
LOAD PERFORMANCE CURVE



Three Phase Induction Motor - Squirrel Cage

Customer : Dealers Industrial Equipment 800-469-3110
 Customer reference : 01512OT3H284T-W40

Product line : W40 NEMA Premium Efficiency Three-Phase Product code : 14494160
 Catalog # : 01512OT3H284T-W40



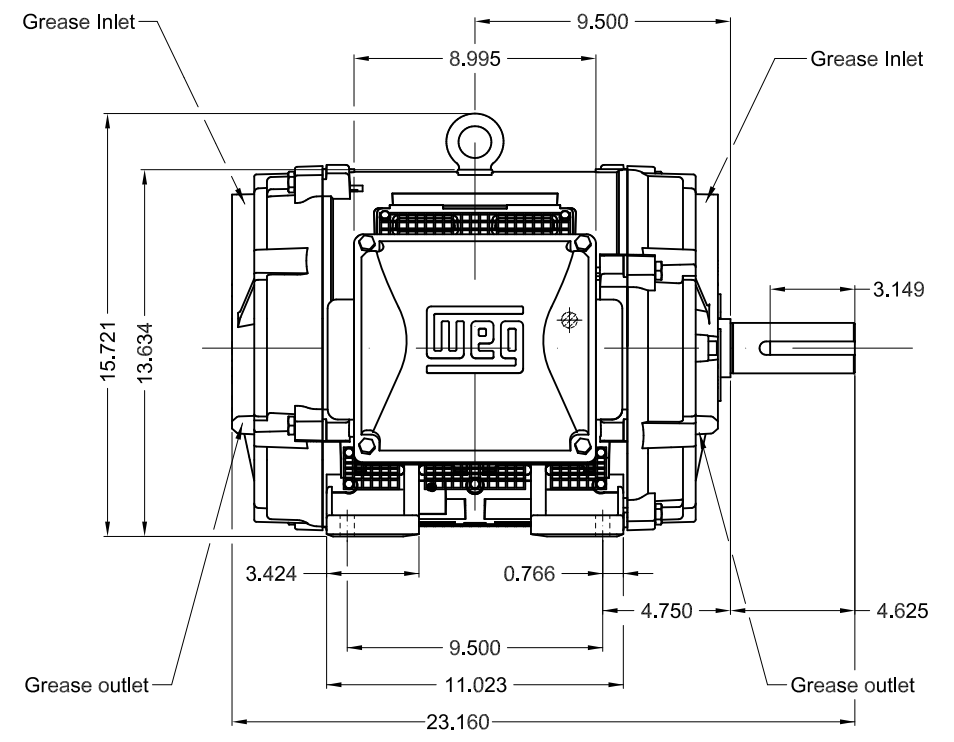
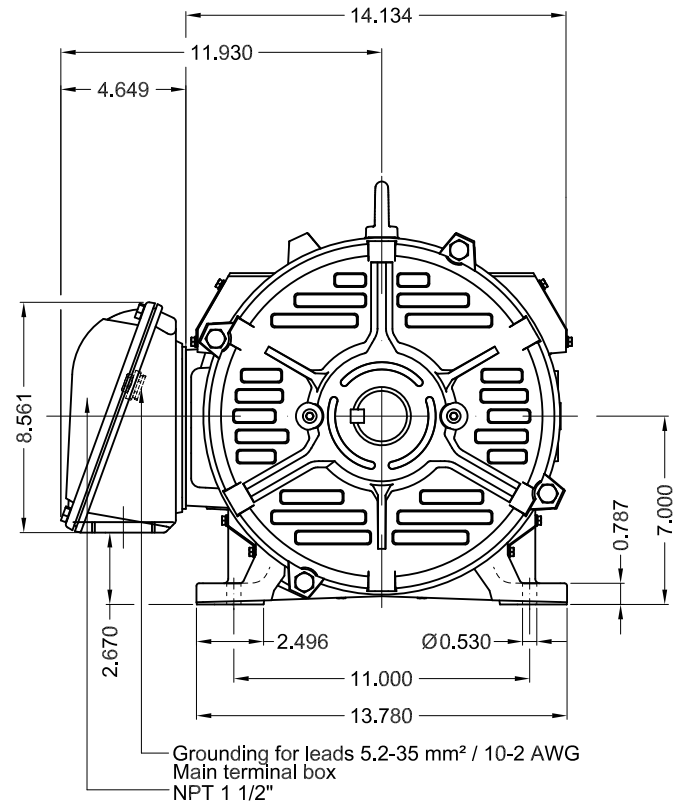
Performance : 575 V 60 Hz 6P

Rated current : 14.7 A	Moment of inertia (J) : 4.80 sq.ft.lb
LRC : 6.3	Duty cycle : Cont.(S1)
Rated torque : 65.9 ft.lb	Insulation class : F
Locked rotor torque : 260 %	Service factor : 1.25
Breakdown torque : 260 %	Temperature rise : 80 K
Rated speed : 1180 rpm	Design : B

Rev.	Changes Summary	Performed	Checked	Date
Performed by			Page 2 / 2	Revision
Checked by				
Date	13/04/2019			

Dimensões em polegada
Dimensions in inches

THIS IS AN UPDATED REVISION, THE
PREVIOUS ONE MUST BE DISREGARDED.



Color RAL 5009						
Painting plan 203A						
Mounting B3R(D)						
					SCALE	1:7
ECM	LOC	SUMMARY OF MODIFICATIONS			EXECUTED	CHECKED
EXECUTED	USERADMIN	THREE PHASE W40 MOTOR NEMA PREMIUM EFF				
CHECKED		FRAME 284T IP23 ODP				
RELEASED		WEG code: 14494160				
REL DT	13.04.2019	WMO	Jaragua do Sul	Product Engineering	SHEET	1 / 1

15 HP 06 Poles 60Hz

A

