

DATA SHEET



Three Phase Induction Motor - Squirrel Cage

Customer : Dealers Industrial Equipment 800-469-3110
 Customer reference : 01512OT3E284T-W40

Product line : W40 NEMA Premium Efficiency Three-Phase Product code : 14494126
 Catalog # : 01512OT3E284T-W40

Frame : 284T	Locked rotor time : 28s (cold) 16s (hot)
Output : 15 HP (11 kW)	Temperature rise : 80 K
Poles : 6	Duty cycle : Cont.(S1)
Frequency : 60 Hz	Ambient temperature : -20°C to +40°C
Rated voltage : 208-230/460 V	Altitude : 1000 m.a.s.l.
Rated current : 40.7-36.8/18.4 A	Protection degree : IP23
L. R. Amperes : 256-232/116 A	Cooling method : IC01 - ODP
LRC : 6.3x(Code G)	Mounting : F-1
No load current : 13.5-15.6/7.80 A	Rotation ¹ : Both (CW and CCW)
Rated speed : 1180 rpm	Noise level ² : 59.0 dB(A)
Slip : 1.67 %	Starting method : Direct On Line
Rated torque : 65.9 ft.lb	Approx. weight ³ : 308 lb
Locked rotor torque : 260 %	
Breakdown torque : 260 %	
Insulation class : F	
Service factor : 1.25	
Moment of inertia (J) : 4.80 sq.ft.lb	
Design : B	

Output	25%	50%	75%	100%	Foundation loads
Efficiency (%)	90.8	91.0	91.7	91.7	Max. traction
Power Factor	0.42	0.67	0.77	0.82	Max. compression

	<u>Drive end</u>	<u>Non drive end</u>
Bearing type :	6311 Z C3	6211 Z C3
Sealing :	Without Bearing Seal	Without Bearing Seal
Lubrication interval :	20000 h	20000 h
Lubricant amount :	18 g	11 g
Lubricant type :	Mobil Polyrex EM	

Notes
 downloaded from <http://dealerselectric.com>

This revision replaces and cancel the previous one, which must be eliminated.
 (1) Looking the motor from the shaft end.
 (2) Measured at 1m and with tolerance of +3dB(A).
 (3) Approximate weight subject to changes after manufacturing process.
 (4) At 100% of full load.

These are average values based on tests with sinusoidal power supply, subject to the tolerances stipulated in NEMA MG-1.

Rev.	Changes Summary	Performed	Checked	Date
Performed by		Page		Revision
Checked by		1 / 2		
Date	13/04/2019			

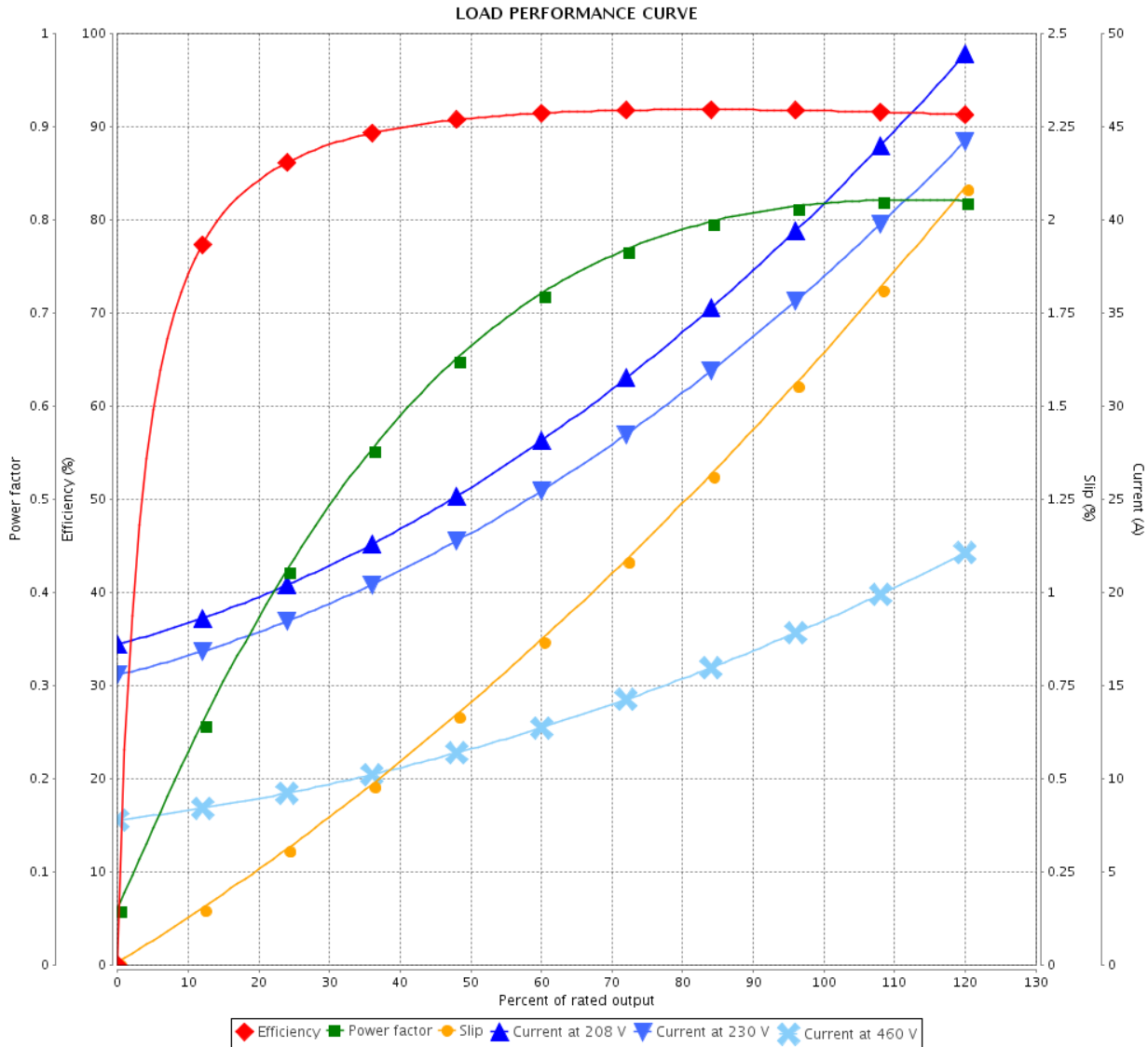
LOAD PERFORMANCE CURVE



Three Phase Induction Motor - Squirrel Cage

Customer : Dealers Industrial Equipment 800-469-3110
 Customer reference : 01512OT3E284T-W40

Product line : W40 NEMA Premium Efficiency Three-Phase Product code : 14494126
 Catalog # : 01512OT3E284T-W40



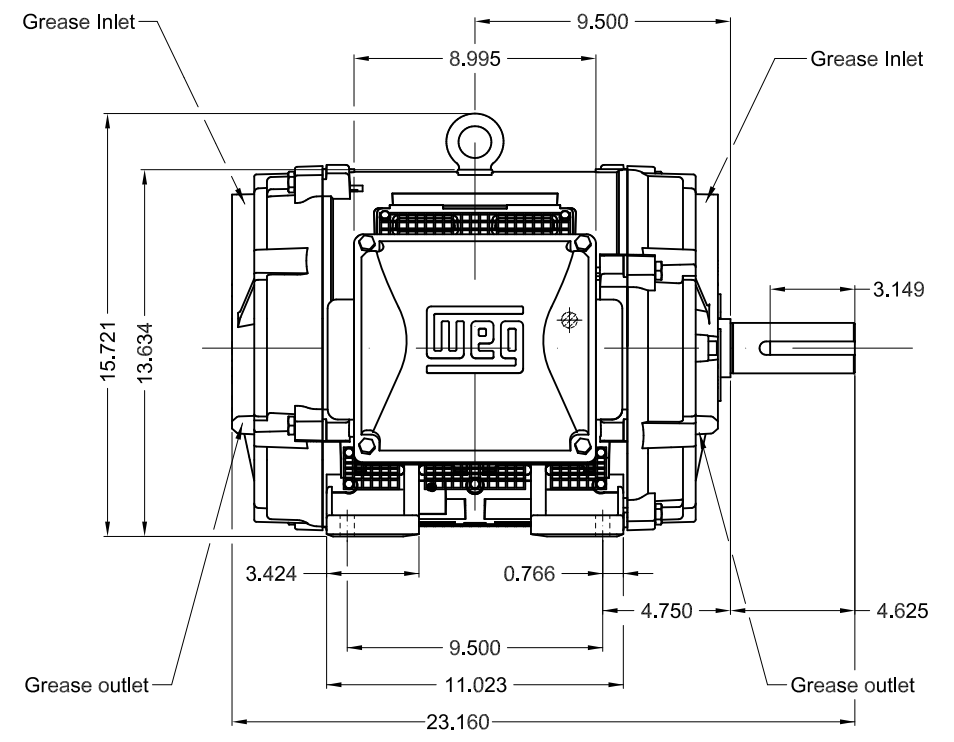
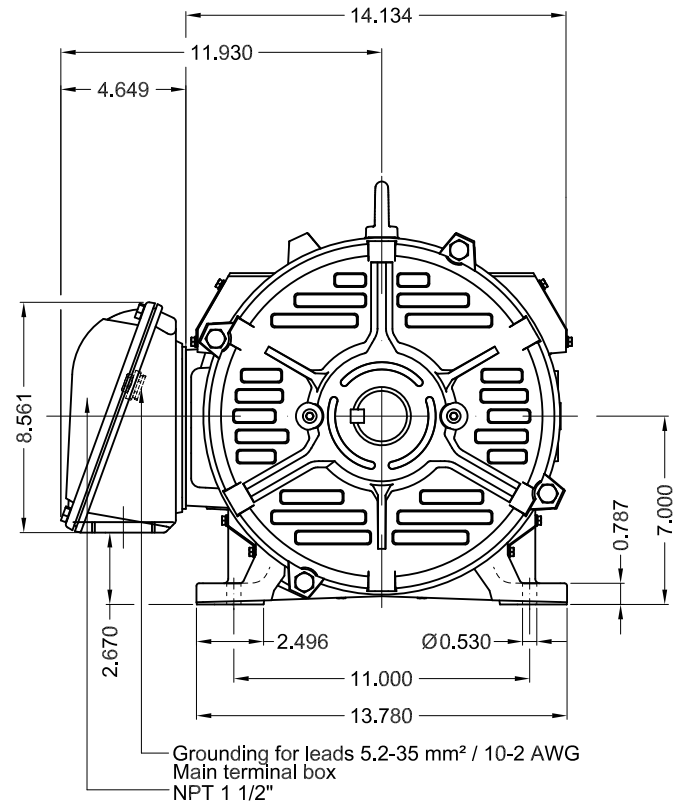
Performance : 208-230/460 V 60 Hz 6P

Rated current : 40.7-36.8/18.4 A	Moment of inertia (J) : 4.80 sq.ft.lb
LRC : 6.3	Duty cycle : Cont.(S1)
Rated torque : 65.9 ft.lb	Insulation class : F
Locked rotor torque : 260 %	Service factor : 1.25
Breakdown torque : 260 %	Temperature rise : 80 K
Rated speed : 1180 rpm	Design : B

Rev.	Changes Summary	Performed	Checked	Date
Performed by			Page 2 / 2	Revision
Checked by				
Date	13/04/2019			

Dimensões em polegada
Dimensions in inches

THIS IS AN UPDATED REVISION, THE
PREVIOUS ONE MUST BE DISREGARDED.



Color RAL 5009
Painting plan 203A
Mounting B3R(D)

					SCALE	1:7	
ECM	LOC	SUMMARY OF MODIFICATIONS	EXECUTED	CHECKED	RELEASED	DATE	VER
EXECUTED	USERADMIN	THREE PHASE W40 MOTOR NEMA PREMIUM EFF					
CHECKED		FRAME 284T IP23 ODP					
RELEASED		WEG code: 14494126					
REL DT	13.04.2019	WMO Jaragua do Sul	Product Engineering	SHEET	1 / 1		

15 HP 06 Poles 60Hz

A



ZME A3