

# DATA SHEET



## Three Phase Induction Motor - Squirrel Cage

Customer		: Dealers Industrial Equipment 800-469-3110			
Customer reference		: 01012OT3E256TC-W40			
Product line		: W40 NEMA Premium Efficiency Three-Phase		Product code : 14494124	
				Catalog # : 01012OT3E256TC-W40	
Frame		: 254/6TC		Locked rotor time	
Output		: 10 HP (7.5 kW)		: 30s (cold) 17s (hot)	
Poles		: 6		Temperature rise	
Frequency		: 60 Hz		: 80 K	
Rated voltage		: 208-230/460 V		Duty cycle	
Rated current		: 28.3-25.6/12.8 A		: Cont.(S1)	
L. R. Amperes		: 192-174/87.0 A		Ambient temperature	
LRC		: 6.8x(Code H)		: -20°C to +40°C	
No load current		: 10.5-12.2/6.10 A		Altitude	
Rated speed		: 1180 rpm		: 1000 m.a.s.l.	
Slip		: 1.67 %		Protection degree	
Rated torque		: 43.9 ft.lb		: IP23	
Locked rotor torque		: 229 %		Cooling method	
Breakdown torque		: 300 %		: IC01 - ODP	
Insulation class		: F		Mounting	
Service factor		: 1.25		: F-1	
Moment of inertia (J)		: 3.53 sq.ft.lb		Rotation <sup>1</sup>	
Design		: B		: Both (CW and CCW)	
				Noise level <sup>2</sup>	
				: 59.0 dB(A)	
				Starting method	
				: Direct On Line	
				Approx. weight <sup>3</sup>	
				: 300 lb	
Output		25%	50%	75%	100%
Efficiency (%)		89.4	90.2	91.0	91.7
Power Factor		0.37	0.62	0.74	0.80
		Foundation loads			
		Max. traction			
		Max. compression			
		<u>Drive end</u>		<u>Non drive end</u>	
Bearing type		: 6309 Z C3		: 6209 Z C3	
Sealing		: Without Bearing Seal		: Without Bearing Seal	
Lubrication interval		: 20000 h		: 20000 h	
Lubricant amount		: 13 g		: 9 g	
Lubricant type		: Mobil Polyrex EM			
Notes downloaded from <a href="http://dealerselectric.com">http://dealerselectric.com</a>					
This revision replaces and cancel the previous one, which must be eliminated. (1) Looking the motor from the shaft end. (2) Measured at 1m and with tolerance of +3dB(A). (3) Approximate weight subject to changes after manufacturing process. (4) At 100% of full load.			These are average values based on tests with sinusoidal power supply, subject to the tolerances stipulated in NEMA MG-1.		
Rev.	Changes Summary			Performed	Checked
Performed by					
Checked by				Page	Revision
Date	13/04/2019			1 / 2	

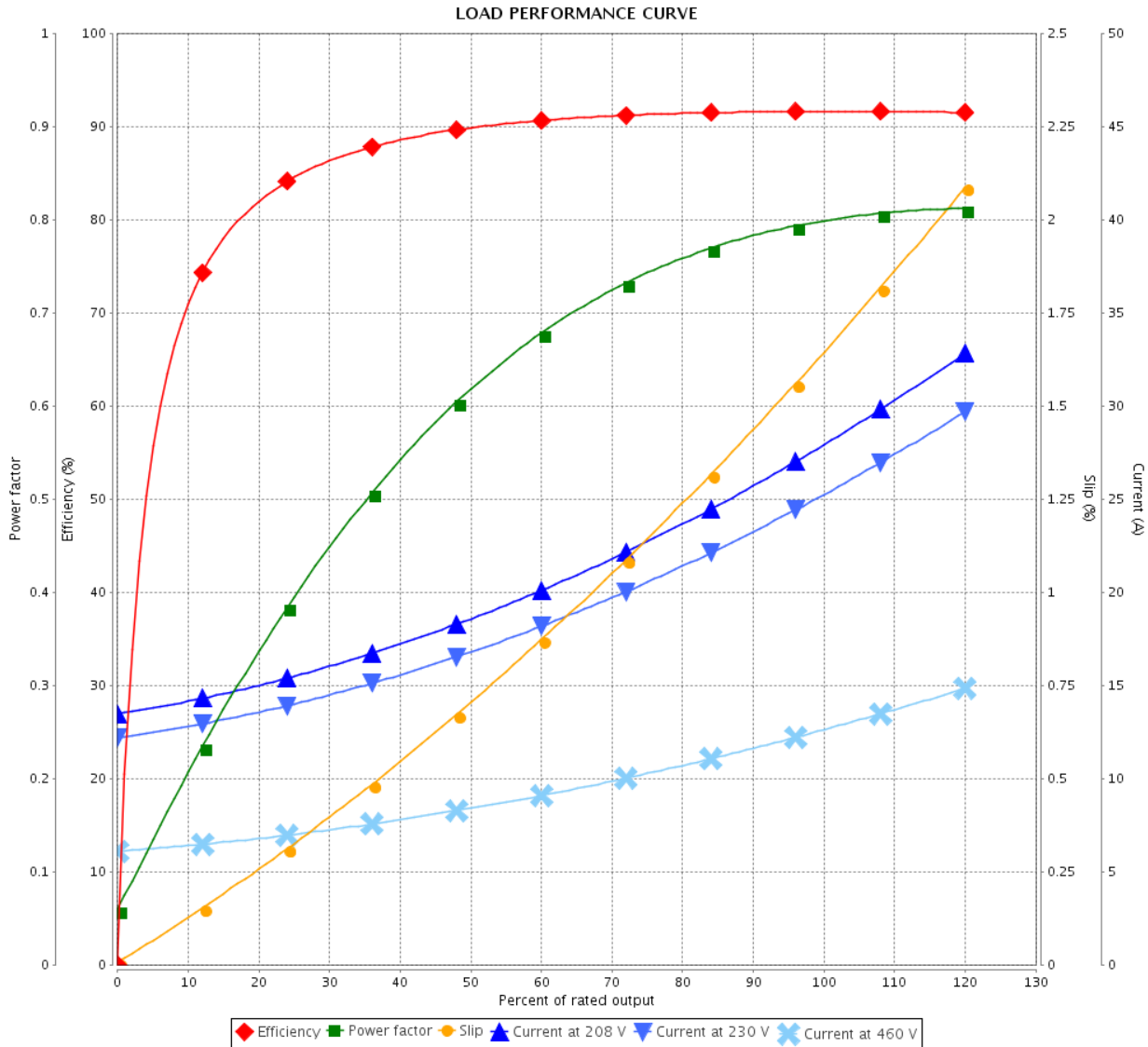
# LOAD PERFORMANCE CURVE



## Three Phase Induction Motor - Squirrel Cage

Customer : Dealers Industrial Equipment 800-469-3110  
 Customer reference : 01012OT3E256TC-W40

Product line : W40 NEMA Premium Efficiency Three-Phase      Product code : 14494124  
 Catalog # : 01012OT3E256TC-W40



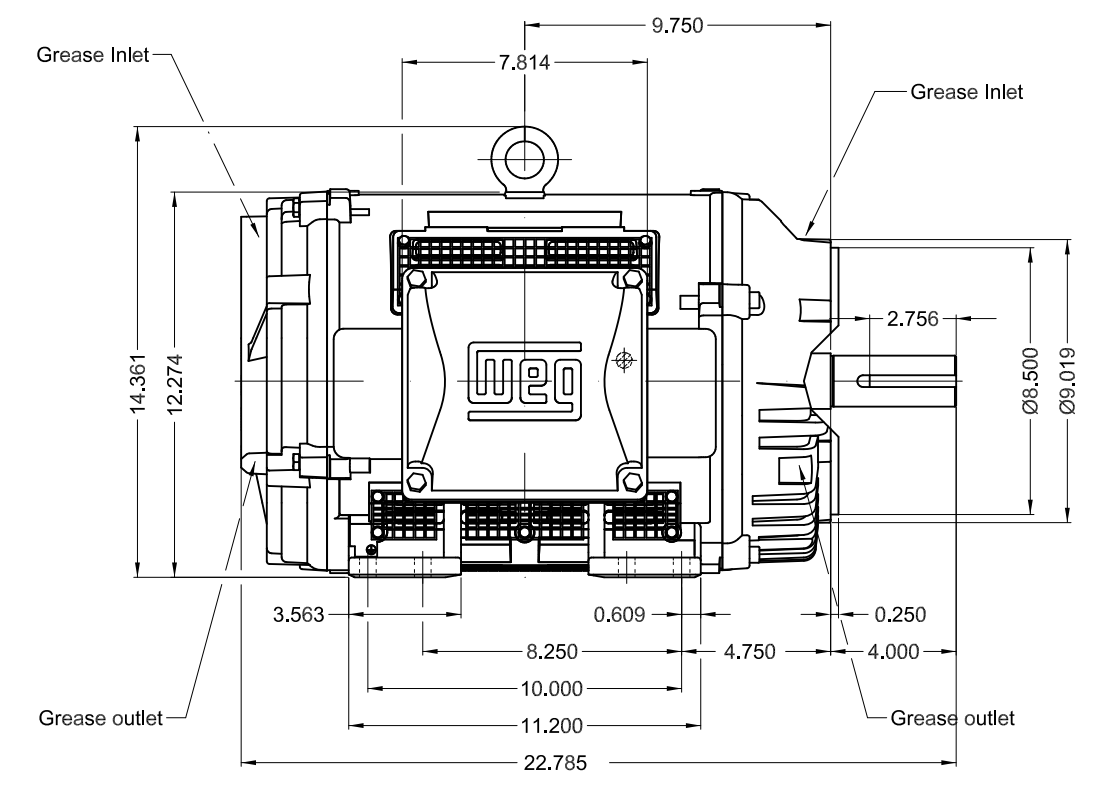
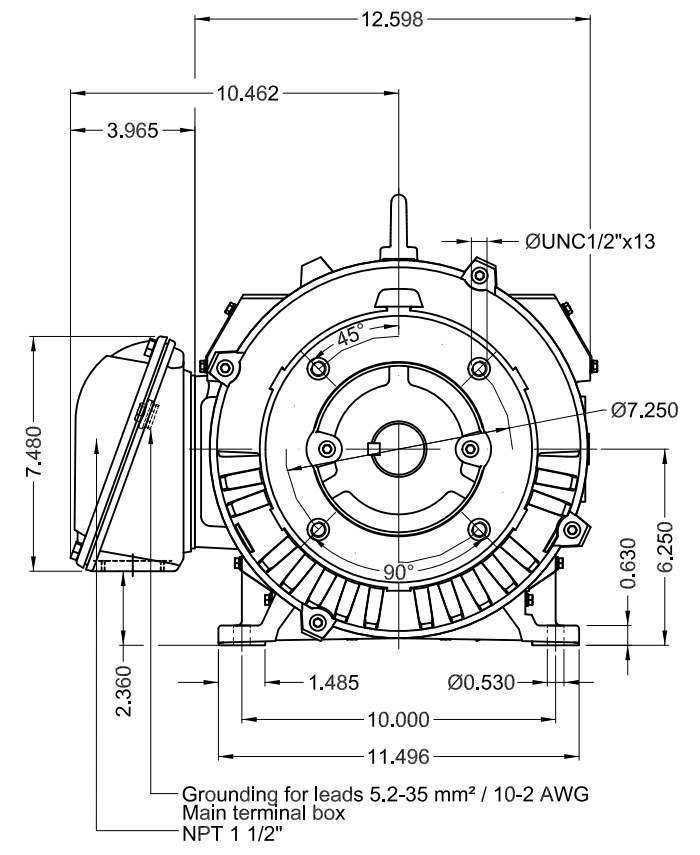
Performance : 208-230/460 V 60 Hz 6P

Rated current : 28.3-25.6/12.8 A	Moment of inertia (J) : 3.53 sq.ft.lb
LRC : 6.8	Duty cycle : Cont.(S1)
Rated torque : 43.9 ft.lb	Insulation class : F
Locked rotor torque : 229 %	Service factor : 1.25
Breakdown torque : 300 %	Temperature rise : 80 K
Rated speed : 1180 rpm	Design : B

Rev.	Changes Summary	Performed	Checked	Date
Performed by			Page 2 / 2	Revision
Checked by				
Date	13/04/2019			

Dimensões em polegada  
Dimensions in inches

THIS IS AN UPDATED REVISION, THE  
PREVIOUS ONE MUST BE DISREGARDED.



Bearing cap									
Color RAL 5009									
Painting plan 203A									
Mounting B34R(D)									
					SCALE	1:6			
ECM	LOC	SUMMARY OF MODIFICATIONS			EXECUTED	CHECKED	RELEASED	DATE	VER
EXECUTED	USERADMIN	THREE PHASE W40 MOTOR NEMA PREMIUM EFF							
CHECKED		FRAME 254/6TC IP23 ODP							
RELEASED		WEG code: 14494124							
REL DT	13.04.2019	WMO	Jaragua do Sul	Product Engineering	SHEET	1 / 1			

10 HP 06 Poles 60Hz

A

