



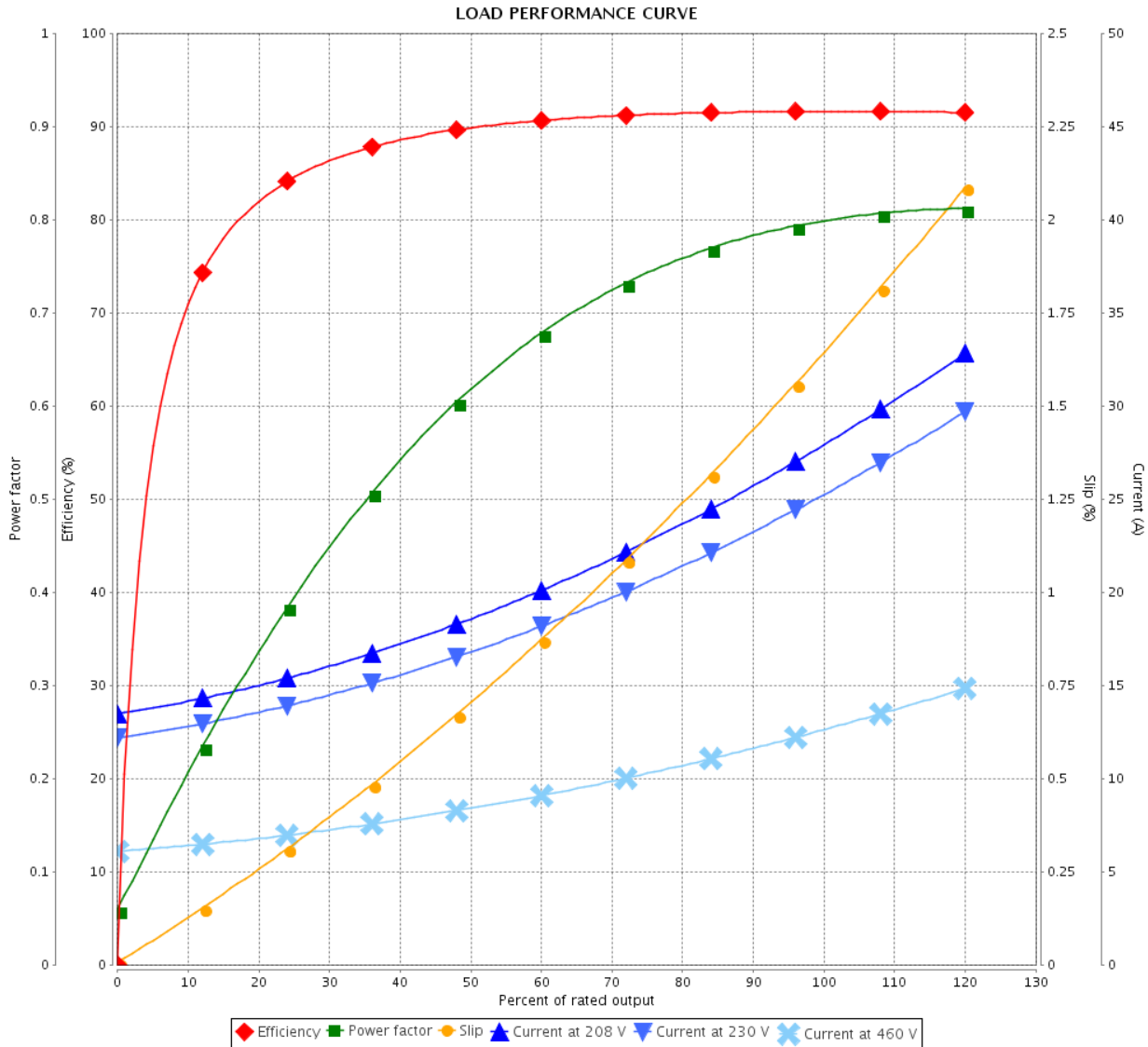
# LOAD PERFORMANCE CURVE



## Three Phase Induction Motor - Squirrel Cage

Customer : Dealers Industrial Equipment 800-469-3110  
 Customer reference : 01012OT3E256T-W40

Product line : W40 NEMA Premium Efficiency Three-Phase      Product code : 14494123  
 Catalog # : 01012OT3E256T-W40



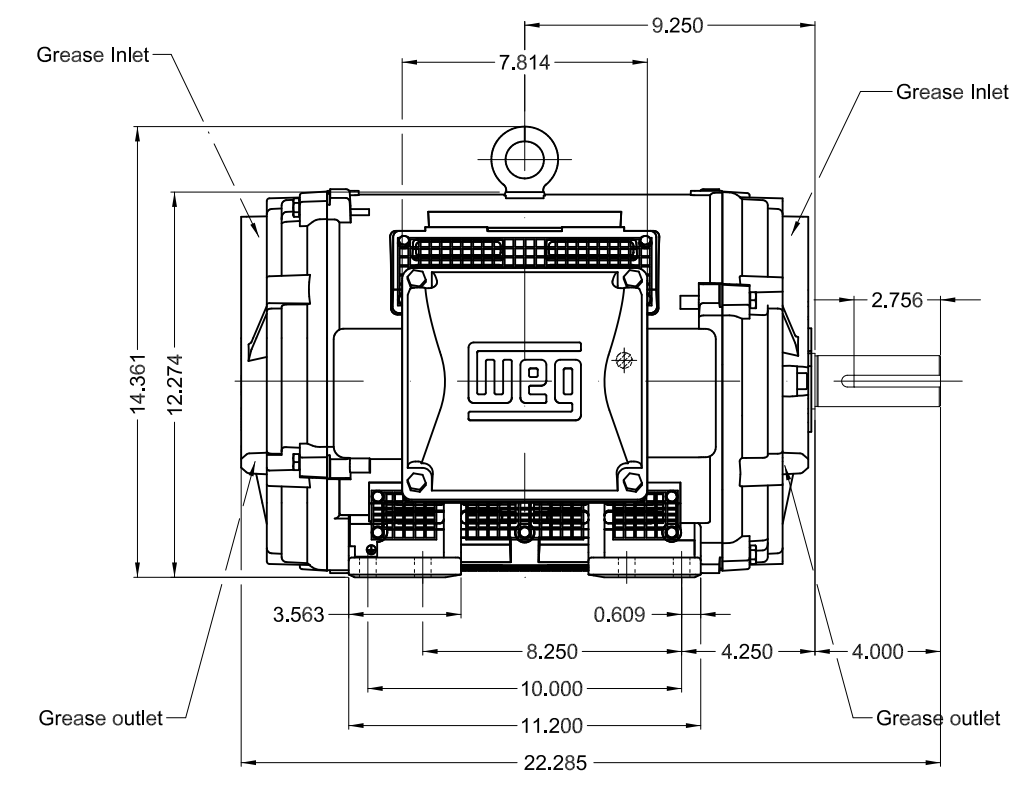
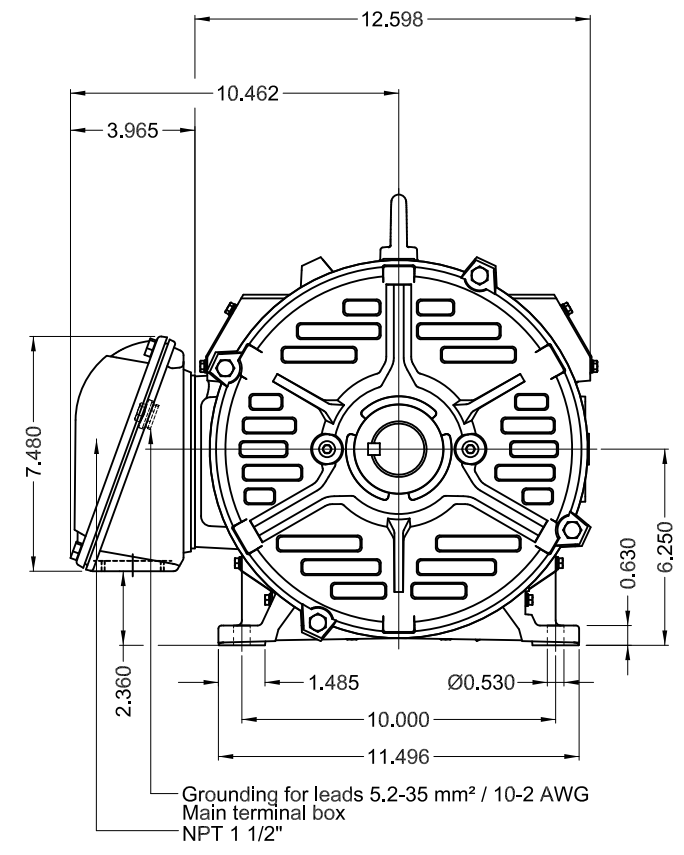
Performance : 208-230/460 V 60 Hz 6P

Rated current : 28.3-25.6/12.8 A	Moment of inertia (J) : 3.53 sq.ft.lb
LRC : 6.8	Duty cycle : Cont.(S1)
Rated torque : 43.9 ft.lb	Insulation class : F
Locked rotor torque : 229 %	Service factor : 1.25
Breakdown torque : 300 %	Temperature rise : 80 K
Rated speed : 1180 rpm	Design : B

Rev.	Changes Summary	Performed	Checked	Date
Performed by			Page 2 / 2	Revision
Checked by				
Date	13/04/2019			

Dimensões em polegada  
Dimensions in inches

THIS IS AN UPDATED REVISION, THE  
PREVIOUS ONE MUST BE DISREGARDED.



Color RAL 5009									
Painting plan 203A									
Mounting B3R(D)									
					SCALE	1:6			
ECM	LOC	SUMMARY OF MODIFICATIONS			EXECUTED	CHECKED	RELEASED	DATE	VER
EXECUTED	USERADMIN	THREE PHASE W40 MOTOR NEMA PREMIUM EFF							
CHECKED		FRAME 254/6T IP23 ODP							
RELEASED		WEG code: 14494123							
REL DT	13.04.2019	WMO	Jaragua do Sul	Product Engineering	SHEET	1 / 1			

10 HP 06 Poles 60Hz

A

