

# DATA SHEET



## Three Phase Induction Motor - Squirrel Cage

Customer : Dealers Industrial Equipment 800-469-3110		Customer reference : 05018OT3E326TSCF2-W4				
Product line : W40 NEMA Premium Efficiency Three-Phase		Product code : 14494118	Catalog # : 05018OT3E326TSCF2-W4			
Frame : 324/6TSC Output : 50 HP (37 kW) Poles : 4 Frequency : 60 Hz Rated voltage : 208-230/460 V Rated current : 129-117/58.5 A L. R. Amperes : 815-737/369 A LRC : 6.3x(Code G) No load current : 40.0-46.4/23.2 A Rated speed : 1775 rpm Slip : 1.39 % Rated torque : 146 ft.lb Locked rotor torque : 240 % Breakdown torque : 240 % Insulation class : F Service factor : 1.25 Moment of inertia (J) : 7.08 sq.ft.lb Design : B	Locked rotor time : 19s (cold) 11s (hot) Temperature rise : 80 K Duty cycle : Cont.(S1) Ambient temperature : -20°C to +40°C Altitude : 1000 m.a.s.l. Protection degree : IP23 Cooling method : IC01 - ODP Mounting : F-2 Rotation <sup>1</sup> : Both (CW and CCW) Noise level <sup>2</sup> : 66.0 dB(A) Starting method : Direct On Line Approx. weight <sup>3</sup> : 529 lb					
Output	25%	50%	75%	100%	Foundation loads	
Efficiency (%)	94.0	94.1	94.5	94.5	Max. traction	
Power Factor	0.44	0.70	0.80	0.84	Max. compression	
		<u>Drive end</u>		<u>Non drive end</u>		
Bearing type	:	6312 Z C3		6211 Z C3		
Sealing	:	Without Bearing Seal		Without Bearing Seal		
Lubrication interval	:	20000 h		20000 h		
Lubricant amount	:	21 g		11 g		
Lubricant type	:	Mobil Polyrex EM				
Notes downloaded from <a href="http://dealerselectric.com">http://dealerselectric.com</a>						
This revision replaces and cancel the previous one, which must be eliminated. (1) Looking the motor from the shaft end. (2) Measured at 1m and with tolerance of +3dB(A). (3) Approximate weight subject to changes after manufacturing process. (4) At 100% of full load.			These are average values based on tests with sinusoidal power supply, subject to the tolerances stipulated in NEMA MG-1.			
Rev.	Changes Summary			Performed	Checked	Date
Performed by						
Checked by					Page	Revision
Date	14/04/2019				1 / 2	

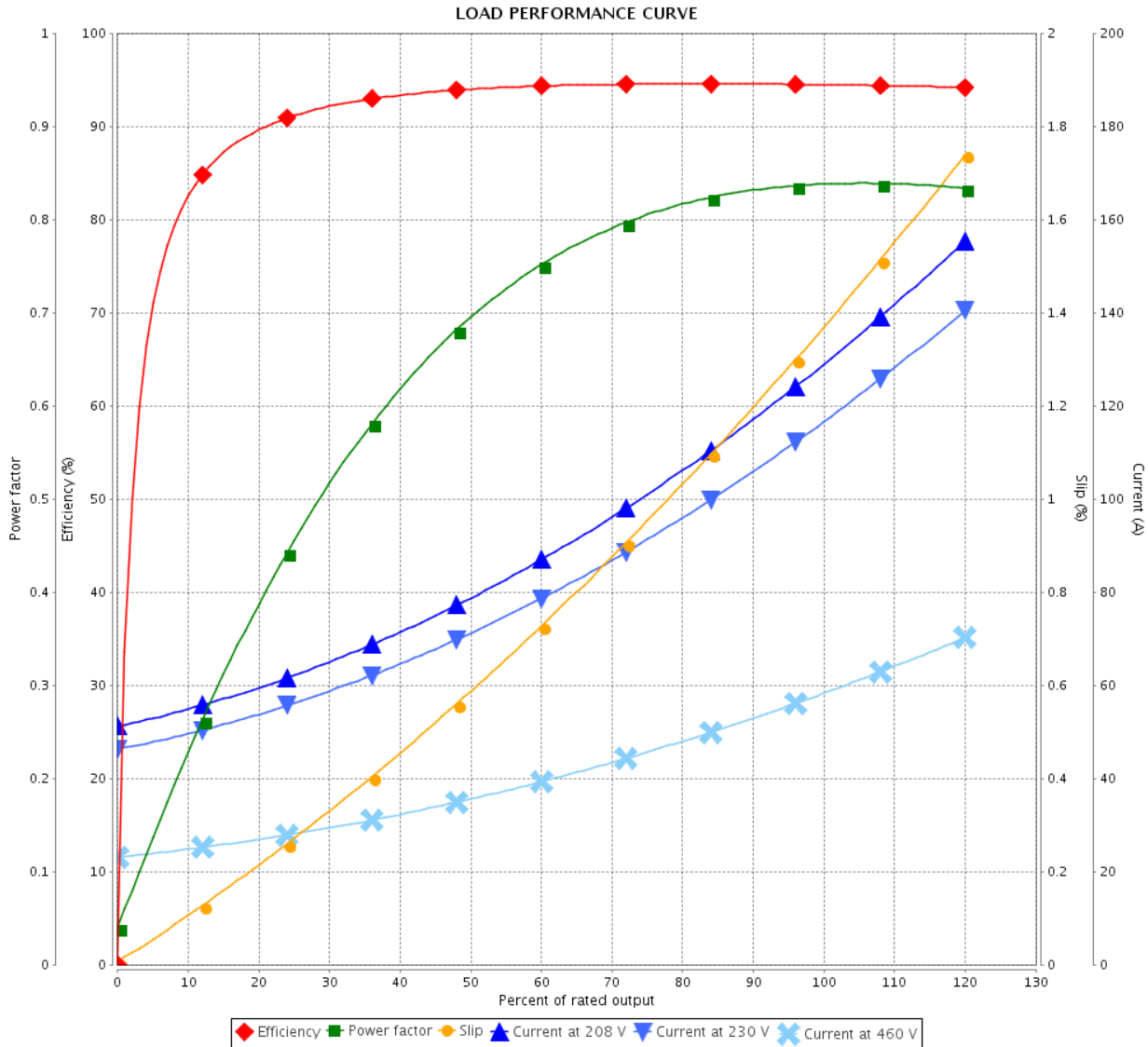
# LOAD PERFORMANCE CURVE



## Three Phase Induction Motor - Squirrel Cage

Customer : Dealers Industrial Equipment 800-469-3110  
 Customer reference : 05018OT3E326TSCF2-W4

Product line : W40 NEMA Premium Efficiency Three-Phase      Product code : 14494118  
 Catalog # : 05018OT3E326TSCF2-W4



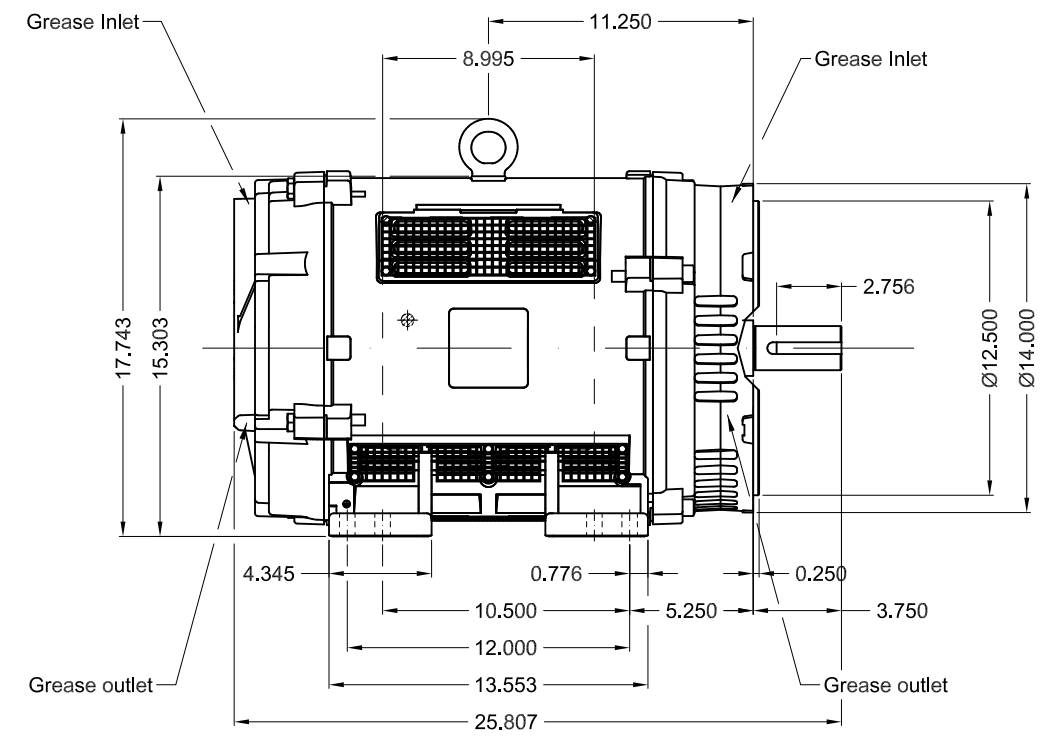
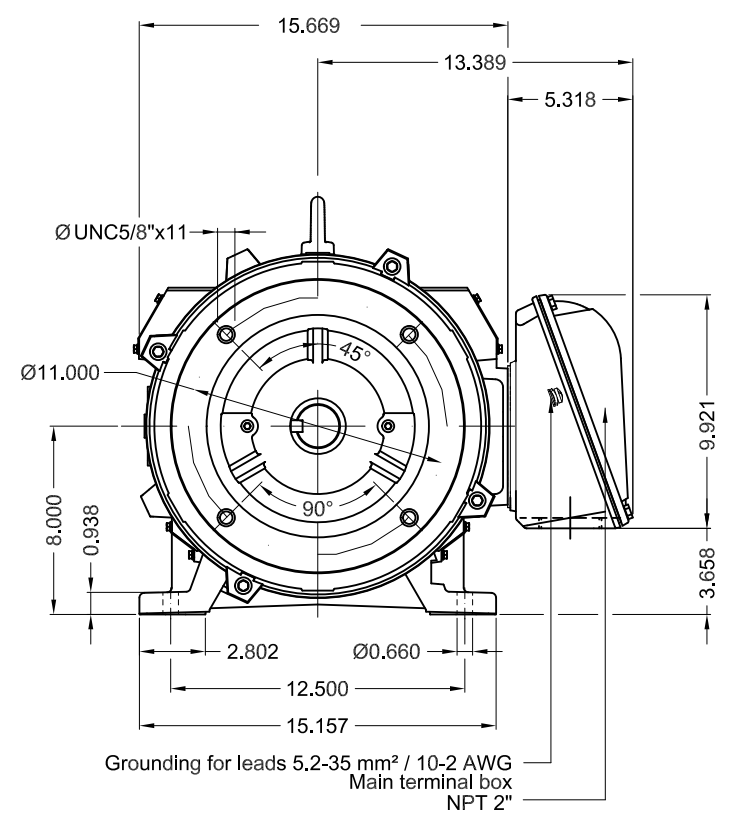
Performance : 208-230/460 V 60 Hz 4P

Rated current : 129-117/58.5 A	Moment of inertia (J) : 7.08 sq.ft.lb
LRC : 6.3	Duty cycle : Cont.(S1)
Rated torque : 146 ft.lb	Insulation class : F
Locked rotor torque : 240 %	Service factor : 1.25
Breakdown torque : 240 %	Temperature rise : 80 K
Rated speed : 1775 rpm	Design : B

Rev.	Changes Summary	Performed	Checked	Date
Performed by			Page 2 / 2	Revision
Checked by				
Date	14/04/2019			

Dimensões em polegada  
Dimensions in inches

THIS IS AN UPDATED REVISION, THE  
PREVIOUS ONE MUST BE DISREGARDED.



TS shaft end									
Color RAL 5009									
Painting plan 203A									
Mounting B34L(E)									
					SCALE	1:8			
ECM	LOC	SUMMARY OF MODIFICATIONS			EXECUTED	CHECKED	RELEASED	DATE	VER
EXECUTED	USERADMIN	THREE PHASE W40 MOTOR NEMA PREMIUM EFF							
CHECKED		FRAME 324/6TSC IP23 ODP							
RELEASED		WEG code: 14494118							
REL DT	14.04.2019	WMO	Jaragua do Sul	Product Engineering	SHEET	1 / 1			

50 HP 04 Poles 60Hz

A

