

# DATA SHEET



## Three Phase Induction Motor - Squirrel Cage

Customer : Dealers Industrial Equipment 800-469-3110  
 Customer reference : 04018OT3E324TSCF2-W4

Product line : W40 NEMA Premium Efficiency Three-Phase      Product code : 14493937  
 Catalog # : 04018OT3E324TSCF2-W4

Frame : 324TSC Output : 40 HP (30 kW) Poles : 4 Frequency : 60 Hz Rated voltage : 208-230/460 V Rated current : 105-95.2/47.6 A L. R. Amperes : 653-590/295 A LRC : 6.2x(Code G) No load current : 31.9-37.0/18.5 A Rated speed : 1775 rpm Slip : 1.39 % Rated torque : 117 ft.lb Locked rotor torque : 200 % Breakdown torque : 240 % Insulation class : F Service factor : 1.25 Moment of inertia (J) : 5.69 sq.ft.lb Design : B	Locked rotor time : 23s (cold) 13s (hot) Temperature rise : 80 K Duty cycle : Cont.(S1) Ambient temperature : -20°C to +40°C Altitude : 1000 m.a.s.l. Protection degree : IP23 Cooling method : IC01 - ODP Mounting : F-2 Rotation <sup>1</sup> : Both (CW and CCW) Noise level <sup>2</sup> : 66.0 dB(A) Starting method : Direct On Line Approx. weight <sup>3</sup> : 472 lb
---	--

Output	25%	50%	75%	100%	Foundation loads
Efficiency (%)	93.5	93.6	94.1	94.1	Max. traction
Power Factor	0.44	0.70	0.80	0.84	Max. compression

	<u>Drive end</u>	<u>Non drive end</u>
Bearing type :	6312 Z C3	6211 Z C3
Sealing :	Without Bearing Seal	Without Bearing Seal
Lubrication interval :	20000 h	20000 h
Lubricant amount :	21 g	11 g
Lubricant type :	Mobil Polyrex EM	

Notes  
 downloaded from <http://dealerselectric.com>

This revision replaces and cancel the previous one, which must be eliminated.  
 (1) Looking the motor from the shaft end.  
 (2) Measured at 1m and with tolerance of +3dB(A).  
 (3) Approximate weight subject to changes after manufacturing process.  
 (4) At 100% of full load.

These are average values based on tests with sinusoidal power supply, subject to the tolerances stipulated in NEMA MG-1.

Rev.	Changes Summary	Performed	Checked	Date
Performed by			Page 1 / 2	Revision
Checked by				
Date	14/04/2019			

# LOAD PERFORMANCE CURVE



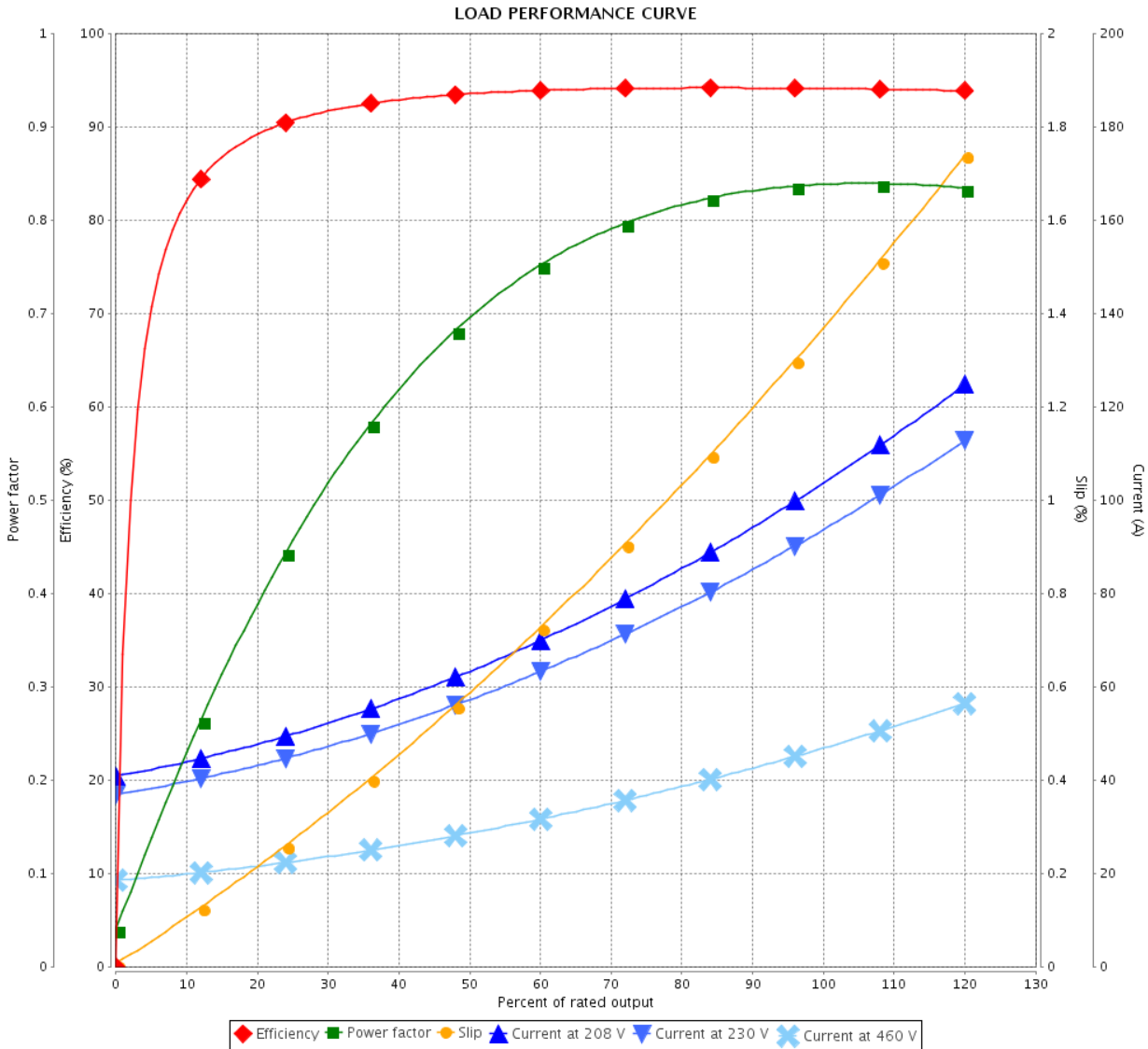
## Three Phase Induction Motor - Squirrel Cage

Customer : Dealers Industrial Equipment 800-469-3110  
 Customer reference : 04018OT3E324TSCF2-W4

Product line : W40 NEMA Premium Efficiency  
 Three-Phase

Product code : 14493937

Catalog # : 04018OT3E324TSCF2-W4



Performance : 208-230/460 V 60 Hz 4P

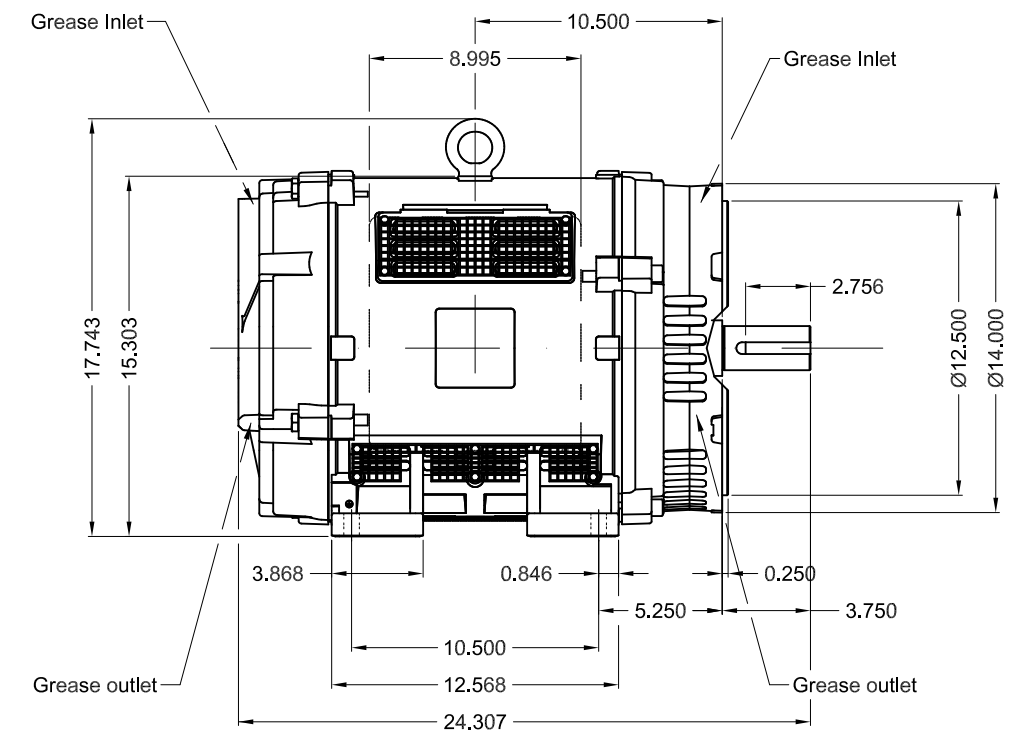
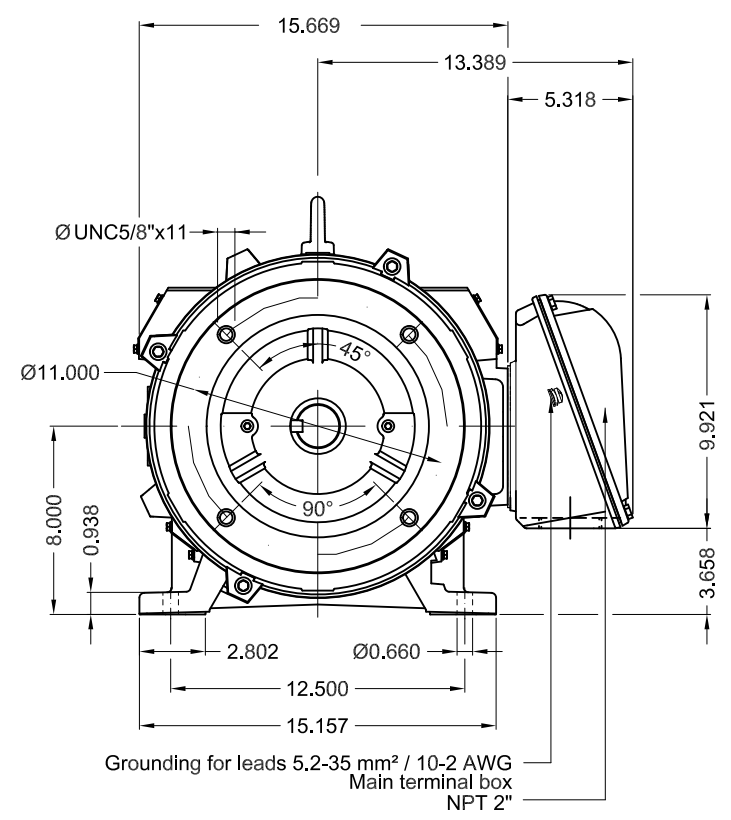
Rated current : 105-95.2/47.6 A  
 LRC : 6.2  
 Rated torque : 117 ft.lb  
 Locked rotor torque : 200 %  
 Breakdown torque : 240 %  
 Rated speed : 1775 rpm

Moment of inertia (J) : 5.69 sq.ft.lb  
 Duty cycle : Cont.(S1)  
 Insulation class : F  
 Service factor : 1.25  
 Temperature rise : 80 K  
 Design : B

Rev.	Changes Summary	Performed	Checked	Date
Performed by			Page	Revision
Checked by			2 / 2	
Date	14/04/2019			

Dimensões em polegada  
Dimensions in inches

THIS IS AN UPDATED REVISION, THE  
PREVIOUS ONE MUST BE DISREGARDED.



TS shaft end						
Color RAL 5009						
Painting plan 203A						
Mounting B34L(E)						
					SCALE	1:8
ECM	LOC	SUMMARY OF MODIFICATIONS			EXECUTED	CHECKED
EXECUTED	USERADMIN	THREE PHASE W40 MOTOR NEMA PREMIUM EFF				
CHECKED		FRAME 324TSC IP23 ODP				
RELEASED		WEG code: 14493937				
REL DT	14.04.2019	WMO	Jaragua do Sul	Product Engineering	SHEET	1 / 1

40 HP 04 Poles 60Hz

A

