

# DATA SHEET



## Three Phase Induction Motor - Squirrel Cage

Customer : Dealers Industrial Equipment 800-469-3110  
 Customer reference : 03036OT3H284TSF2-W40

Product line : W40 NEMA Premium Efficiency Three-Phase      Product code : 14493426  
 Catalog # : 03036OT3H284TSF2-W40

Frame : 284TS Output : 30 HP (22 kW) Poles : 2 Frequency : 60 Hz Rated voltage : 575 V Rated current : 28.0 A L. R. Amperes : 176 A LRC : 6.3x(Code G) No load current : 10.3 A Rated speed : 3545 rpm Slip : 1.53 % Rated torque : 43.8 ft.lb Locked rotor torque : 180 % Breakdown torque : 280 % Insulation class : F Service factor : 1.25 Moment of inertia (J) : 1.59 sq.ft.lb Design : B	Locked rotor time : 18s (cold) 10s (hot) Temperature rise : 80 K Duty cycle : Cont.(S1) Ambient temperature : -20°C to +40°C Altitude : 1000 m.a.s.l. Protection degree : IP23 Cooling method : IC01 - ODP Mounting : F-2 Rotation <sup>1</sup> : Both (CW and CCW) Noise level <sup>2</sup> : 73.0 dB(A) Starting method : Direct On Line Approx. weight <sup>3</sup> : 324 lb
--	--

Output	25%	50%	75%	100%	Foundation loads Max. traction Max. compression
Efficiency (%)	90.0	90.2	91.7	91.7	
Power Factor	0.47	0.73	0.82	0.86	

	<u>Drive end</u>	<u>Non drive end</u>
Bearing type :	6311 Z C3	6211 Z C3
Sealing :	Without Bearing Seal	Without Bearing Seal
Lubrication interval :	20000 h	20000 h
Lubricant amount :	18 g	11 g
Lubricant type :	Mobil Polyrex EM	

Notes  
 downloaded from <http://dealerselectric.com>

This revision replaces and cancel the previous one, which must be eliminated. (1) Looking the motor from the shaft end. (2) Measured at 1m and with tolerance of +3dB(A). (3) Approximate weight subject to changes after manufacturing process. (4) At 100% of full load.	These are average values based on tests with sinusoidal power supply, subject to the tolerances stipulated in NEMA MG-1.
--	--

Rev.	Changes Summary	Performed	Checked	Date
Performed by		Page		Revision
Checked by		1 / 2		
Date	14/04/2019			

# LOAD PERFORMANCE CURVE



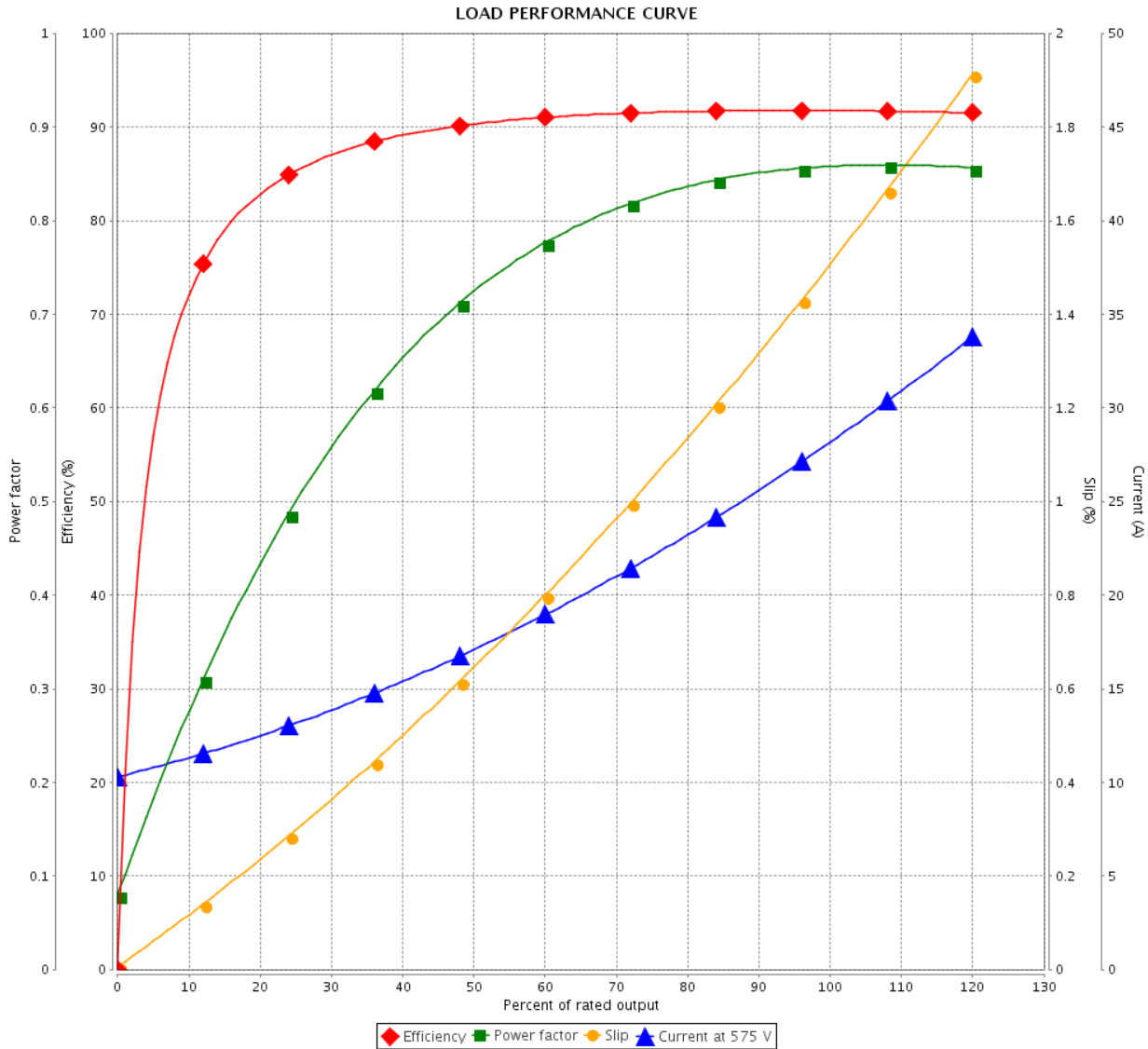
## Three Phase Induction Motor - Squirrel Cage

Customer : Dealers Industrial Equipment 800-469-3110  
 Customer reference : 03036OT3H284TSF2-W40

Product line : W40 NEMA Premium Efficiency  
 Three-Phase

Product code : 14493426

Catalog # : 03036OT3H284TSF2-W40



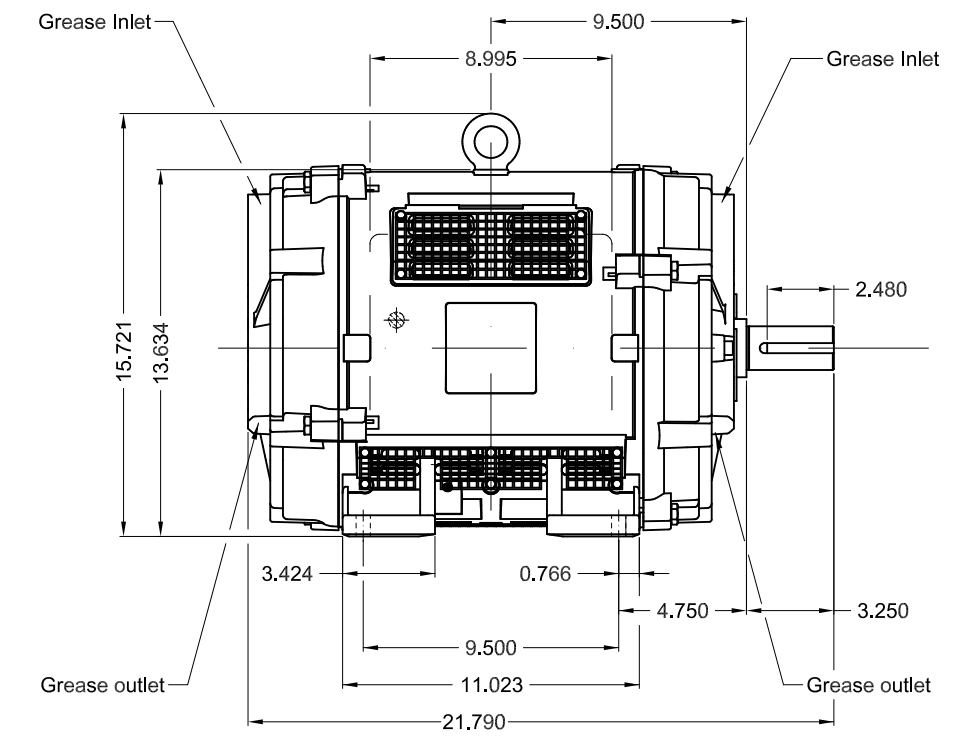
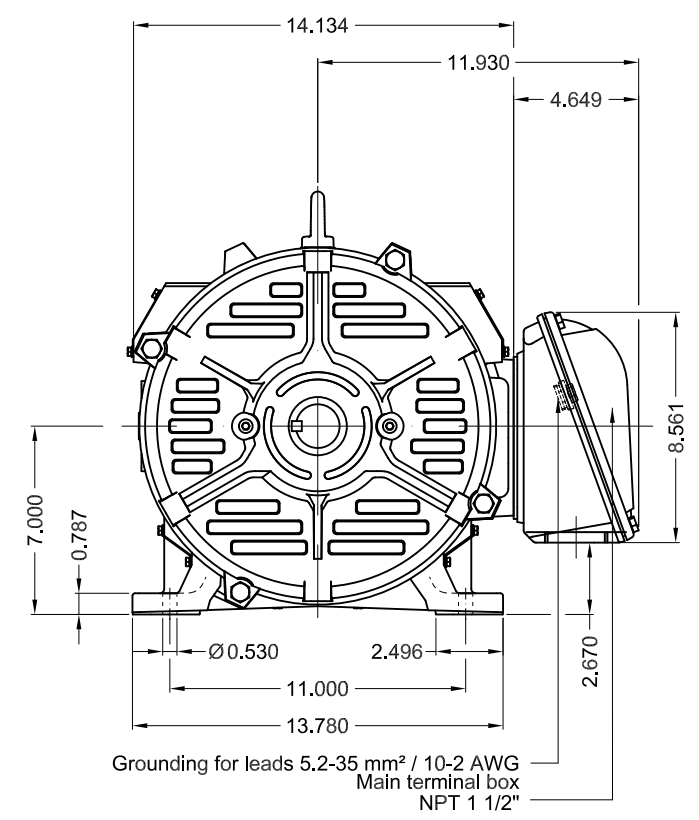
Performance : 575 V 60 Hz 2P

Rated current	: 28.0 A	Moment of inertia (J)	: 1.59 sq.ft.lb
LRC	: 6.3	Duty cycle	: Cont.(S1)
Rated torque	: 43.8 ft.lb	Insulation class	: F
Locked rotor torque	: 180 %	Service factor	: 1.25
Breakdown torque	: 280 %	Temperature rise	: 80 K
Rated speed	: 3545 rpm	Design	: B

Rev.	Changes Summary	Performed	Checked	Date
Performed by			Page	Revision
Checked by			2 / 2	
Date	14/04/2019			

Dimensões em polegada  
Dimensions in inches

THIS IS AN UPDATED REVISION, THE  
PREVIOUS ONE MUST BE DISREGARDED.



Color RAL 5009									
Painting plan 203A									
Mounting B3L(E)									
					SCALE	1:7			
ECM	LOC	SUMMARY OF MODIFICATIONS			EXECUTED	CHECKED	RELEASED	DATE	VER
EXECUTED	USERADMIN	THREE PHASE W40 MOTOR NEMA PREMIUM EFF							
CHECKED		FRAME 284TS IP23 ODP							
RELEASED		WEG code: 14493426							
REL DT	14.04.2019	WMO	Jaragua do Sul	Product Engineering	SHEET	1 / 1			

30 HP 02 Poles 60Hz

A

