

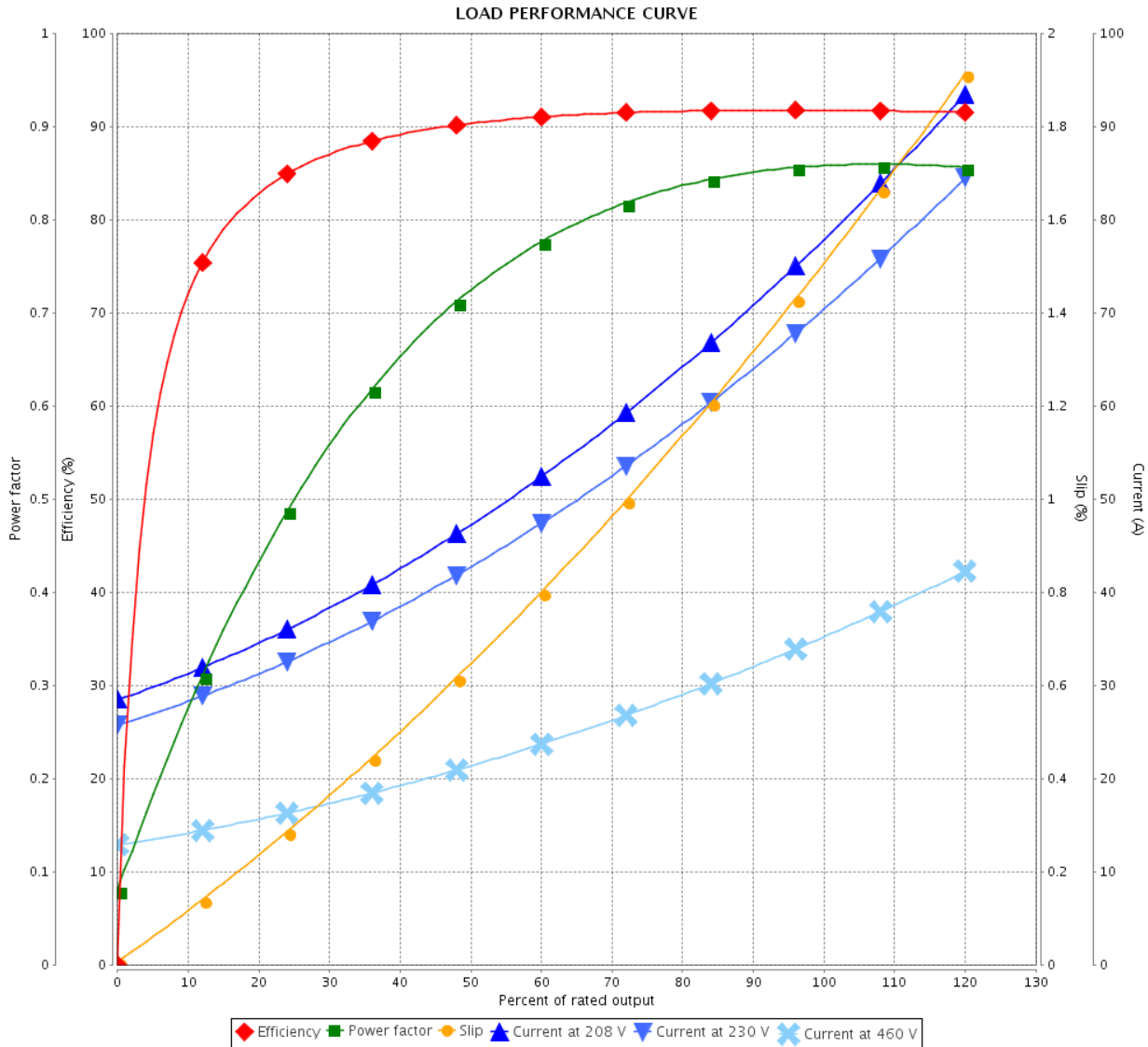
LOAD PERFORMANCE CURVE



Three Phase Induction Motor - Squirrel Cage

Customer : Dealers Industrial Equipment 800-469-3110
 Customer reference : 03036OT3E284TSF2-W40

Product line : W40 NEMA Premium Efficiency Three-Phase Product code : 14492696
 Catalog # : 03036OT3E284TSF2-W40



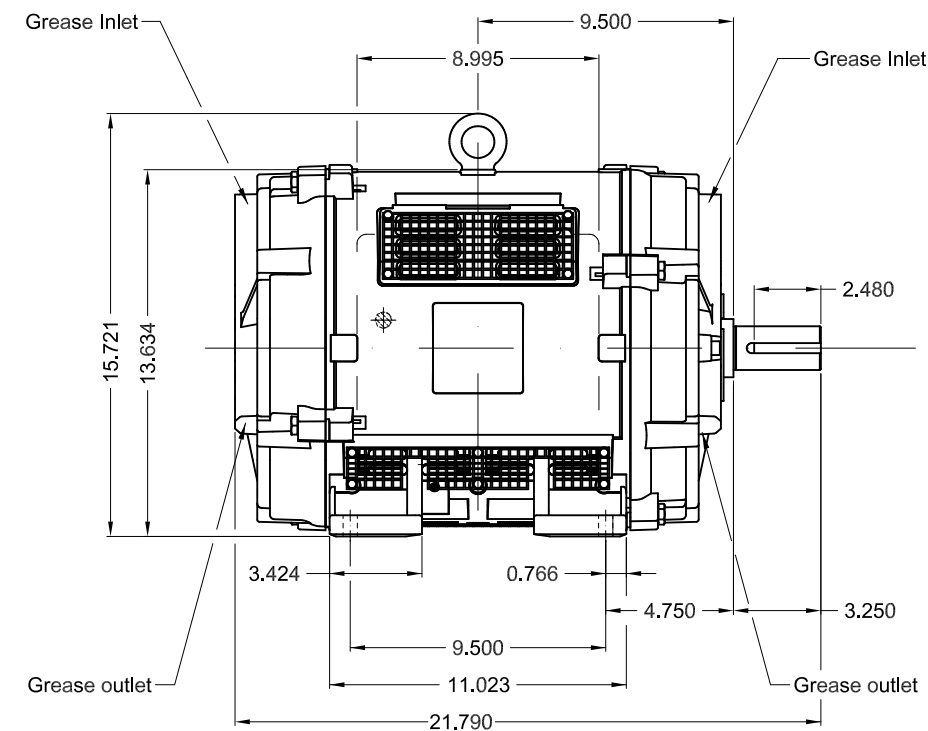
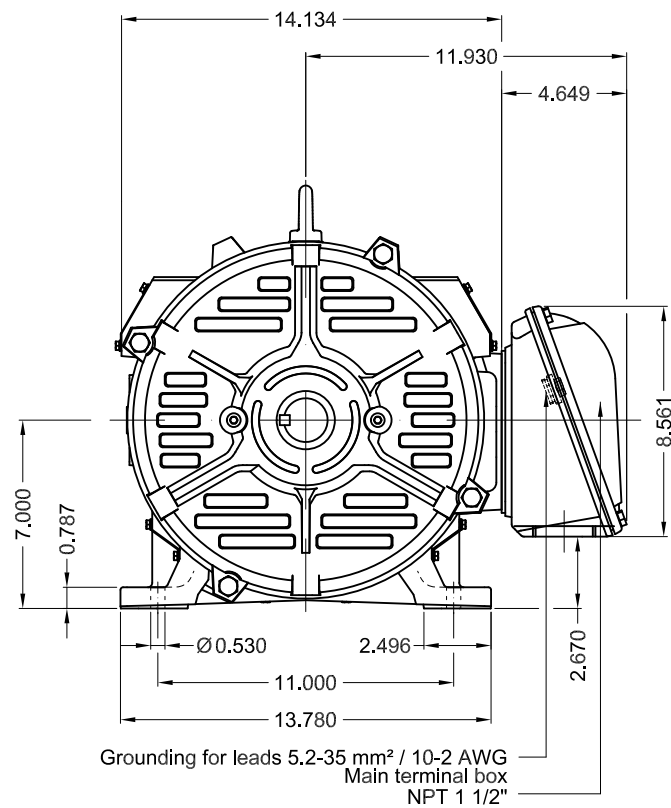
Performance : 208-230/460 V 60 Hz 2P

Rated current : 77.4-70.0/35.0 A	Moment of inertia (J) : 1.59 sq.ft.lb
LRC : 6.3	Duty cycle : Cont.(S1)
Rated torque : 43.8 ft.lb	Insulation class : F
Locked rotor torque : 180 %	Service factor : 1.25
Breakdown torque : 280 %	Temperature rise : 80 K
Rated speed : 3545 rpm	Design : B

Rev.	Changes Summary	Performed	Checked	Date
Performed by			Page 2 / 2	Revision
Checked by				
Date	14/04/2019			

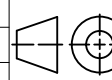
Dimensões em polegada
Dimensions in inches

THIS IS AN UPDATED REVISION, THE
PREVIOUS ONE MUST BE DISREGARDED.



Color RAL 5009
Painting plan 203A
Mounting B3L(E)

SCALE 1:7

ECM	LOC	SUMMARY OF MODIFICATIONS	EXECUTED	CHECKED	RELEASED	DATE	VER
EXECUTED	USERADMIN	 THREE PHASE W40 MOTOR NEMA PREMIUM EFF FRAME 284TS IP23 ODP WEG code: 14492696					
CHECKED							
RELEASED							
REL DT	14.04.2019	WMO Jaragua do Sul	Product Engineering	SHEET	1 / 1		



30 HP 02 Poles 60Hz

A