

DATA SHEET



Three Phase Induction Motor - Squirrel Cage

Customer : Dealers Industrial Equipment 800-469-3110
Customer reference : 02018OT3E256TF2-W40

Product line : W40 NEMA Premium Efficiency Three-Phase Product code : 14492596
Catalog # : 02018OT3E256TF2-W40

Frame	: 254/6T	Locked rotor time	: 21s (cold) 12s (hot)
Output	: 20 HP (15 kW)	Temperature rise	: 80 K
Poles	: 4	Duty cycle	: Cont.(S1)
Frequency	: 60 Hz	Ambient temperature	: -20°C to +40°C
Rated voltage	: 208-230/460 V	Altitude	: 1000 m.a.s.l.
Rated current	: 53.3-48.2/24.1 A	Protection degree	: IP23
L. R. Amperes	: 341-308/154 A	Cooling method	: IC01 - ODP
LRC	: 6.4x(Code G)	Mounting	: F-2
No load current	: 17.2-20.0/10.0 A	Rotation ¹	: Both (CW and CCW)
Rated speed	: 1765 rpm	Noise level ²	: 62.0 dB(A)
Slip	: 1.94 %	Starting method	: Direct On Line
Rated torque	: 58.7 ft.lb	Approx. weight ³	: 320 lb
Locked rotor torque	: 220 %		
Breakdown torque	: 280 %		
Insulation class	: F		
Service factor	: 1.25		
Moment of inertia (J)	: 3.13 sq.ft.lb		
Design	: B		

Output	25%	50%	75%	100%	Foundation loads
Efficiency (%)	92.2	92.4	93.0	93.0	Max. traction
Power Factor	0.43	0.69	0.79	0.84	Max. compression

	<u>Drive end</u>	<u>Non drive end</u>
Bearing type	: 6309 Z C3	6209 Z C3
Sealing	: Without Bearing Seal	Without Bearing Seal
Lubrication interval	: 20000 h	20000 h
Lubricant amount	: 13 g	9 g
Lubricant type	: Mobil Polyrex EM	

Notes
downloaded from <http://dealerselectric.com>

This revision replaces and cancel the previous one, which must be eliminated.

- (1) Looking the motor from the shaft end.
- (2) Measured at 1m and with tolerance of +3dB(A).
- (3) Approximate weight subject to changes after manufacturing process.
- (4) At 100% of full load.

These are average values based on tests with sinusoidal power supply, subject to the tolerances stipulated in NEMA MG-1.

Rev.	Changes Summary	Performed	Checked	Date
Performed by				
Checked by			Page	Revision
Date	13/04/2019		1 / 2	

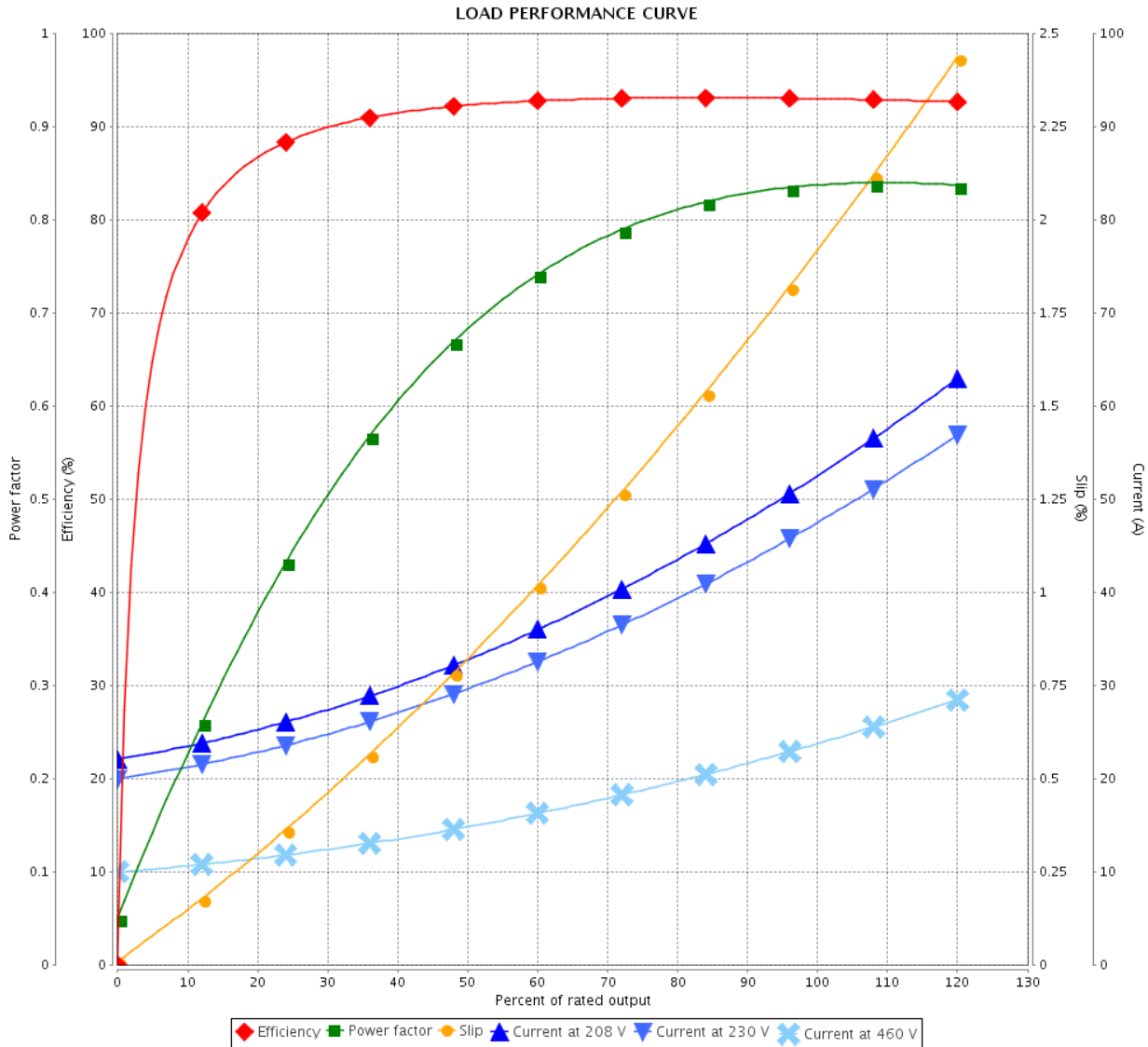
LOAD PERFORMANCE CURVE



Three Phase Induction Motor - Squirrel Cage

Customer : Dealers Industrial Equipment 800-469-3110
 Customer reference : 02018OT3E256TF2-W40

Product line : W40 NEMA Premium Efficiency Three-Phase Product code : 14492596
 Catalog # : 02018OT3E256TF2-W40



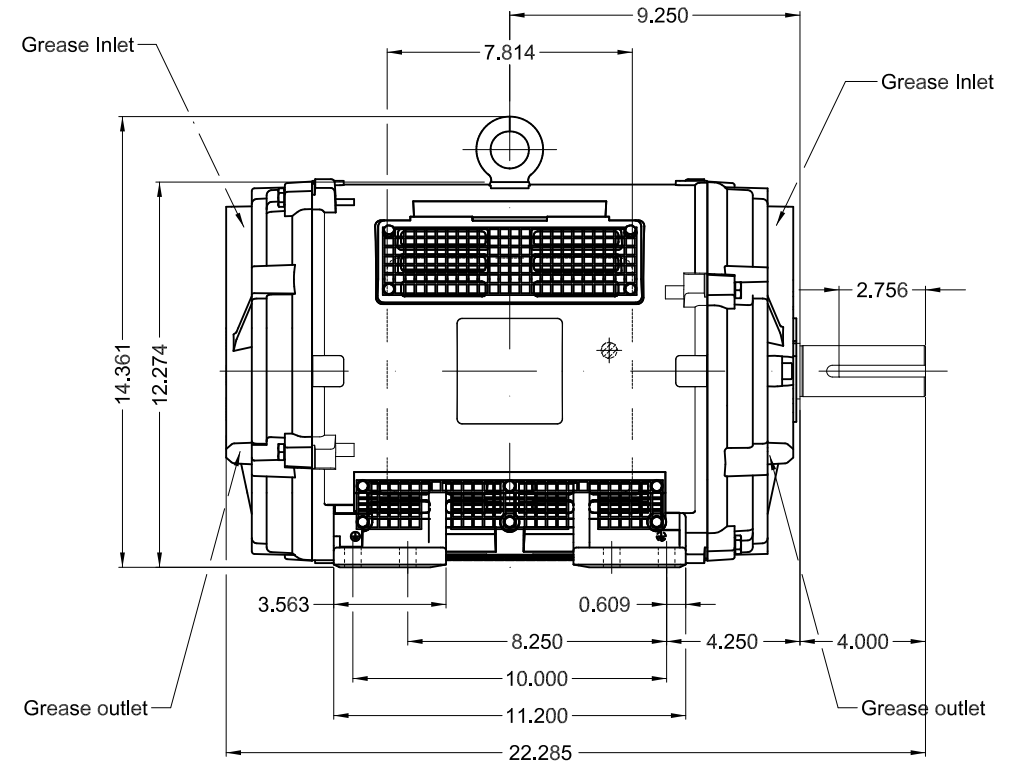
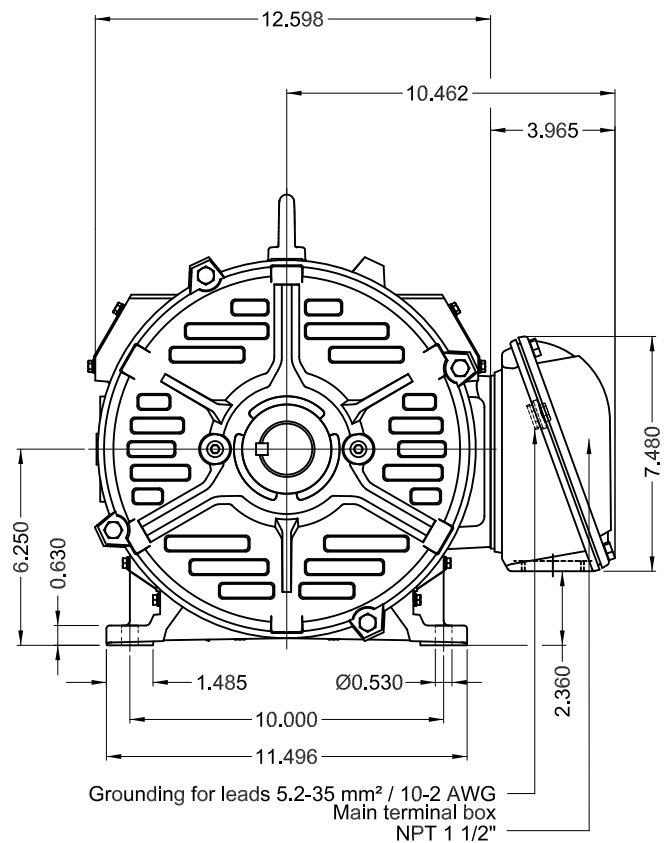
Performance : 208-230/460 V 60 Hz 4P


Rated current : 53.3-48.2/24.1 A	Moment of inertia (J) : 3.13 sq.ft.lb
LRC : 6.4	Duty cycle : Cont.(S1)
Rated torque : 58.7 ft.lb	Insulation class : F
Locked rotor torque : 220 %	Service factor : 1.25
Breakdown torque : 280 %	Temperature rise : 80 K
Rated speed : 1765 rpm	Design : B

Rev.	Changes Summary	Performed	Checked	Date
Performed by			Page 2 / 2	Revision
Checked by				
Date	13/04/2019			

Dimensões em polegada
Dimensions in inches

THIS IS AN UPDATED REVISION, THE
PREVIOUS ONE MUST BE DISREGARDED.



Color RAL 5009									
Painting plan 203A									
Mounting B3L(E)									
					SCALE	1:6			
ECM	LOC	SUMMARY OF MODIFICATIONS			EXECUTED	CHECKED	RELEASED	DATE	VER
EXECUTED	USERADMIN	THREE PHASE W40 MOTOR NEMA PREMIUM EFF							
CHECKED		FRAME 254/6T IP23 ODP							
RELEASED		WEG code: 14492596							
REL DT	13.04.2019	WMO	Jaragua do Sul	Product Engineering	SHEET	1 / 1			

20 HP 04 Poles 60Hz

A