

DATA SHEET



Three Phase Induction Motor - Squirrel Cage

Customer : Dealers Industrial Equipment 800-469-3110
 Customer reference : 04036OP3HFP286TSC-W4

Product line : W40 High Efficiency Three-Phase Product code : 14491995
 Catalog # : 04036OP3HFP286TSC-W4

Frame : 284/6TSC	Locked rotor time : 18s (cold) 10s (hot)
Output : 40 HP (30 kW)	Temperature rise : 105 K
Poles : 2	Duty cycle : Cont.(S1)
Frequency : 60 Hz	Ambient temperature : -20°C to +40°C
Rated voltage : 575 V	Altitude : 1000 m.a.s.l.
Rated current : 37.8 A	Protection degree : IP23
L. R. Amperes : 230 A	Cooling method : IC01 - ODP
LRC : 6.1x(Code G)	Mounting : F-1
No load current : 11.2 A	Rotation ¹ : Both (CW and CCW)
Rated speed : 3535 rpm	Starting method : Direct On Line
Slip : 1.81 %	Approx. weight ³ : 359 lb
Rated torque : 58.6 ft.lb	
Locked rotor torque : 170 %	
Breakdown torque : 250 %	
Insulation class : F	
Service factor : 1.15	
Moment of inertia (J) : 1.91 sq.ft.lb	
Design : B	

Output	25%	50%	75%	100%	Foundation loads
Efficiency (%)	90.8	91.0	91.7	91.7	Max. traction
Power Factor	0.54	0.78	0.86	0.87	Max. compression

	<u>Drive end</u>	<u>Non drive end</u>
Bearing type :	6311 Z C3	6211 Z C3
Sealing :	Without Bearing Seal	Without Bearing Seal
Lubrication interval :	20000 h	20000 h
Lubricant amount :	18 g	11 g
Lubricant type :	Mobil Polyrex EM	

Notes
 downloaded from <http://dealerselectric.com>

This revision replaces and cancel the previous one, which must be eliminated.

- (1) Looking the motor from the shaft end.
- (2) Measured at 1m and with tolerance of +3dB(A).
- (3) Approximate weight subject to changes after manufacturing process.
- (4) At 100% of full load.

These are average values based on tests with sinusoidal power supply, subject to the tolerances stipulated in NEMA MG-1.

Rev.	Changes Summary	Performed	Checked	Date
Performed by			Page	Revision
Checked by				
Date	14/04/2019			
			1 / 2	

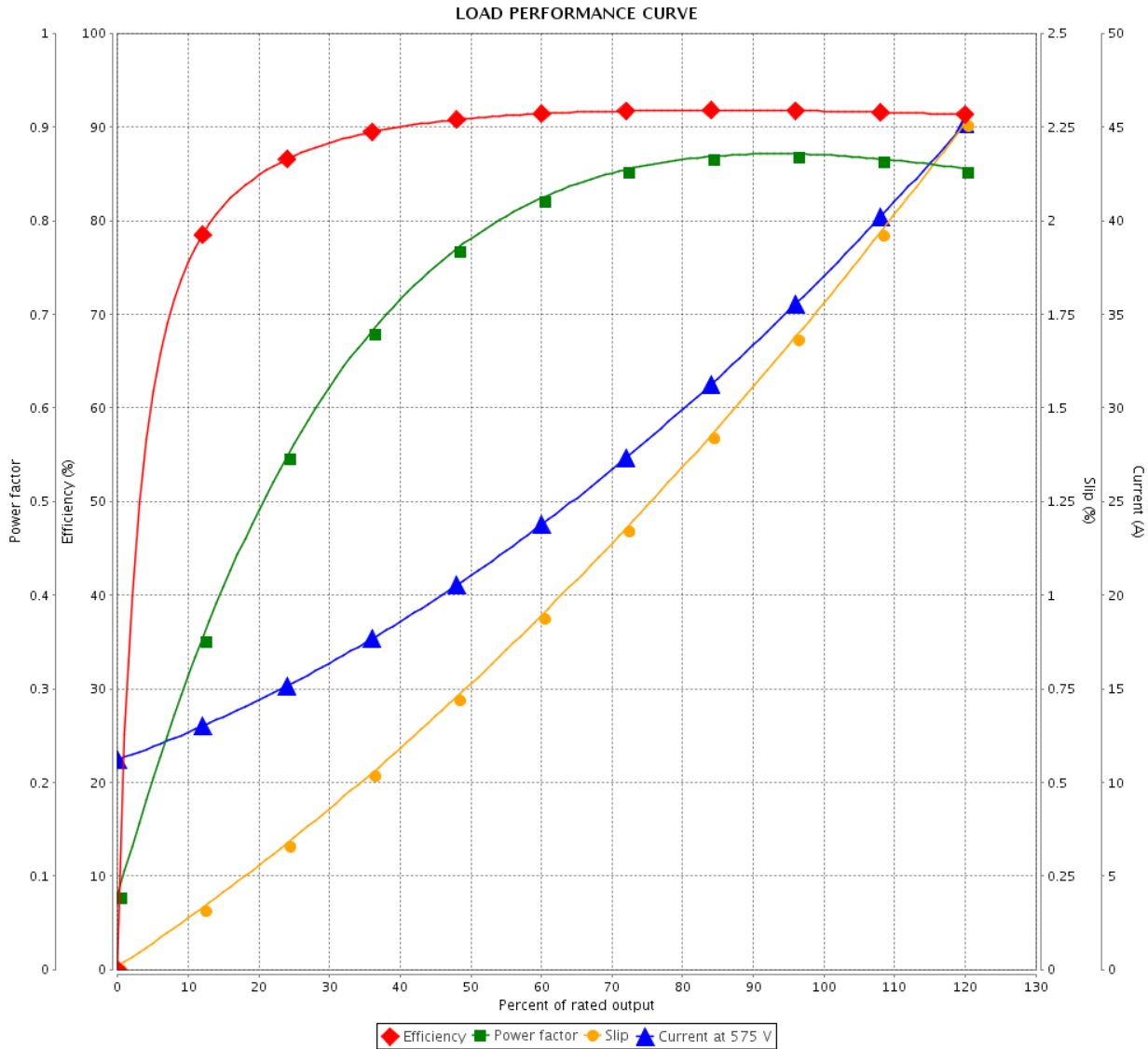
LOAD PERFORMANCE CURVE



Three Phase Induction Motor - Squirrel Cage

Customer : Dealers Industrial Equipment 800-469-3110
 Customer reference : 04036OP3HFP286TSC-W4

Product line : W40 High Efficiency Three-Phase Product code : 14491995
 Catalog # : 04036OP3HFP286TSC-W4



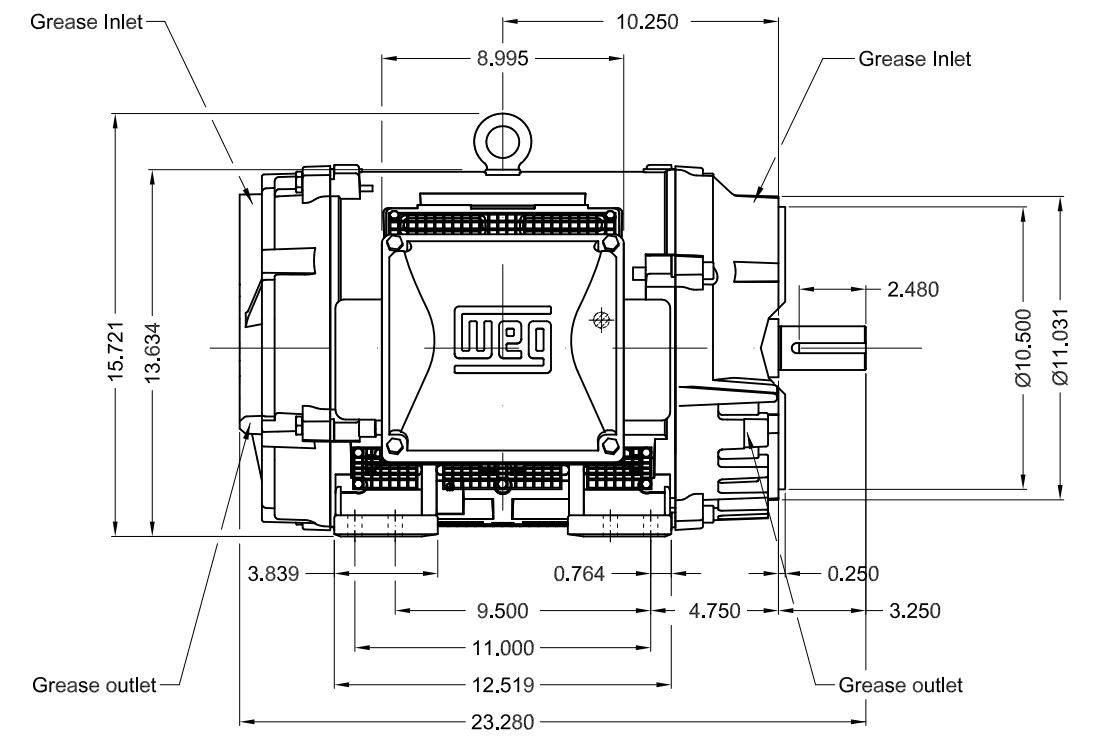
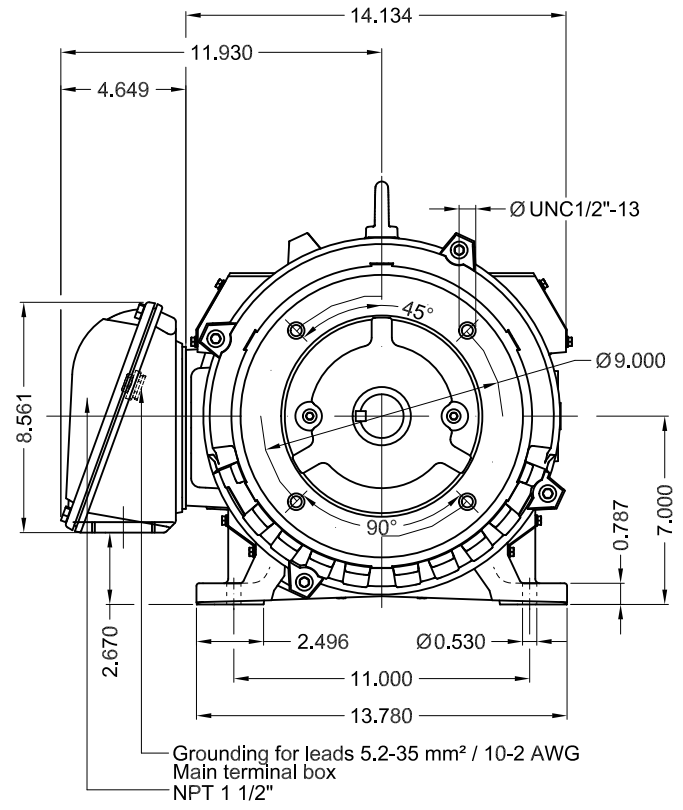
Performance : 575 V 60 Hz 2P

Rated current : 37.8 A	Moment of inertia (J) : 1.91 sq.ft.lb
LRC : 6.1	Duty cycle : Cont.(S1)
Rated torque : 58.6 ft.lb	Insulation class : F
Locked rotor torque : 170 %	Service factor : 1.15
Breakdown torque : 250 %	Temperature rise : 105 K
Rated speed : 3535 rpm	Design : B

Rev.	Changes Summary	Performed	Checked	Date
Performed by			Page 2 / 2	Revision
Checked by				
Date	14/04/2019			

Dimensões em polegada
Dimensions in inches

THIS IS AN UPDATED REVISION, THE
PREVIOUS ONE MUST BE DISREGARDED.



Bearing cap						
Color RAL 3002						
Painting plan 203A						
Mounting B34R(D)						
					SCALE	1:7
ECM	LOC	SUMMARY OF MODIFICATIONS			EXECUTED	CHECKED
EXECUTED	USERADMIN	THREE PHASE W40 MOTOR HIGH EFF				
CHECKED		FRAME 284/6TSC IP23 ODP				
RELEASED		WEG code: 14491995				
REL DT	14.04.2019	WMO	Jaragua do Sul	Product Engineering	SHEET	1 / 1

40 HP 02 Poles 60Hz

A

