

# DATA SHEET



## Three Phase Induction Motor - Squirrel Cage

Customer : Dealers Industrial Equipment 800-469-3110  
 Customer reference : 02536OP3VFP256TC-W40

Product line : W40 High Efficiency Three-Phase      Product code : 14491849  
 Catalog # : 02536OP3VFP256TC-W40

Frame	: 254/6TC	Locked rotor time	: 27s (cold) 15s (hot)
Output	: 25 HP (18.5 kW)	Temperature rise	: 105 K
Poles	: 2	Duty cycle	: Cont.(S1)
Frequency	: 60 Hz	Ambient temperature	: -20°C to +40°C
Rated voltage	: 200/400 V	Altitude	: 1000 m.a.s.l.
Rated current	: 68.3/34.2 A	Protection degree	: IP23
L. R. Amperes	: 417/208 A	Cooling method	: IC01 - ODP
LRC	: 6.1x(Code G)	Mounting	: F-1
No load current	: 20.7/10.4 A	Rotation <sup>1</sup>	: Both (CW and CCW)
Rated speed	: 3530 rpm	Starting method	: Direct On Line
Slip	: 1.94 %	Approx. weight <sup>3</sup>	: 260 lb
Rated torque	: 36.7 ft.lb		
Locked rotor torque	: 190 %		
Breakdown torque	: 260 %		
Insulation class	: F		
Service factor	: 1.15		
Moment of inertia (J)	: 0.9592 sq.ft.lb		
Design	: B		

Output	25%	50%	75%	100%	Foundation loads
Efficiency (%)	89.2	89.5	91.0	91.0	Max. traction
Power Factor	0.50	0.72	0.82	0.86	Max. compression

		<u>Drive end</u>	<u>Non drive end</u>
Bearing type	:	6309 Z C3	6209 Z C3
Sealing	:	Without Bearing Seal	Without Bearing Seal
Lubrication interval	:	20000 h	20000 h
Lubricant amount	:	13 g	9 g
Lubricant type	:	Mobil Polyrex EM	

Notes  
 downloaded from <http://dealerselectric.com>

This revision replaces and cancel the previous one, which must be eliminated.  
 (1) Looking the motor from the shaft end.  
 (2) Measured at 1m and with tolerance of +3dB(A).  
 (3) Approximate weight subject to changes after manufacturing process.  
 (4) At 100% of full load.

These are average values based on tests with sinusoidal power supply, subject to the tolerances stipulated in NEMA MG-1.

Rev.	Changes Summary	Performed	Checked	Date
Performed by				
Checked by			Page	Revision
Date	14/04/2019		1 / 2	

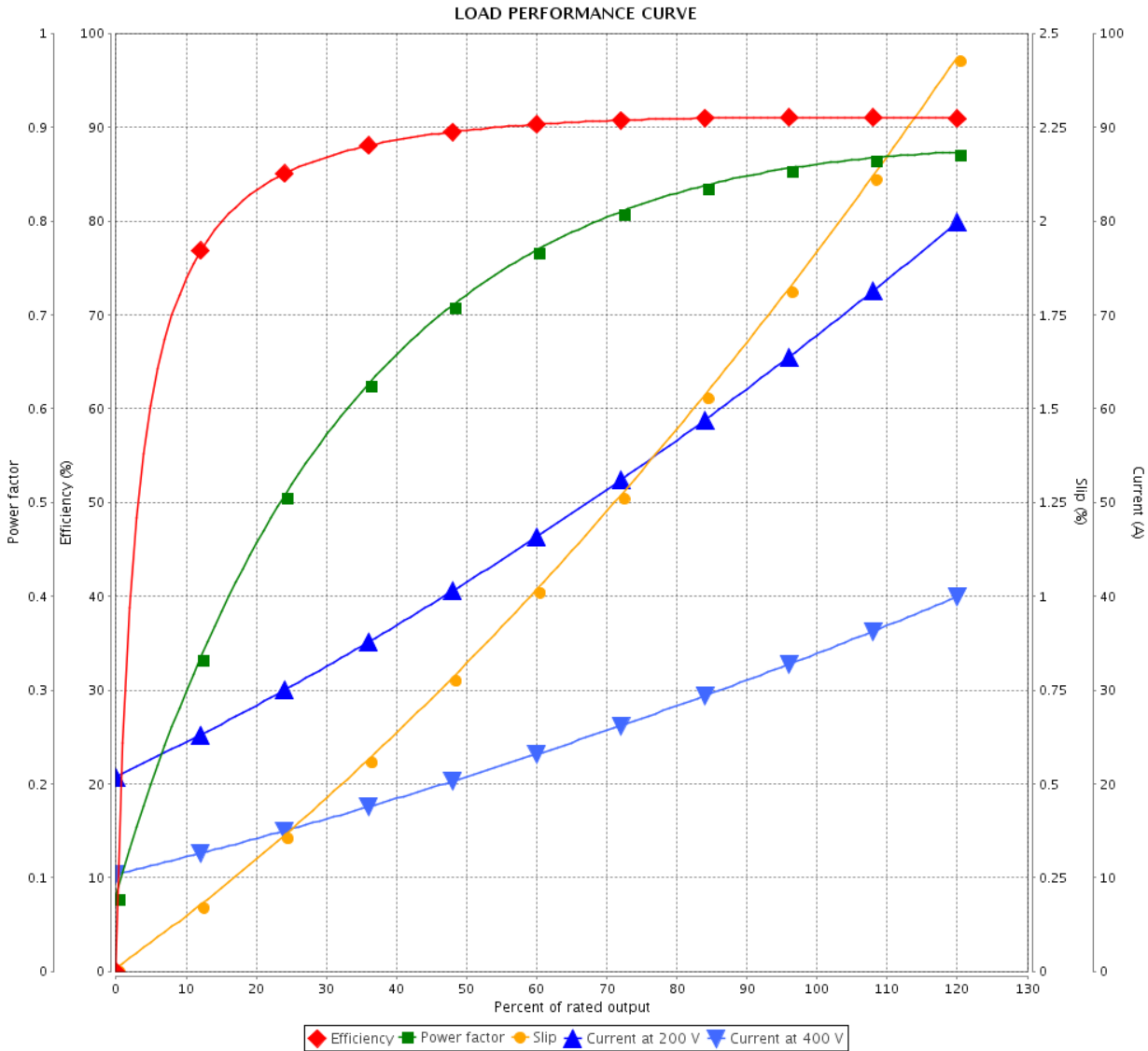
# LOAD PERFORMANCE CURVE



## Three Phase Induction Motor - Squirrel Cage

Customer : Dealers Industrial Equipment 800-469-3110  
 Customer reference : 02536OP3VFP256TC-W40

Product line : W40 High Efficiency Three-Phase      Product code : 14491849  
 Catalog # : 02536OP3VFP256TC-W40



Performance : 200/400 V 60 Hz 2P

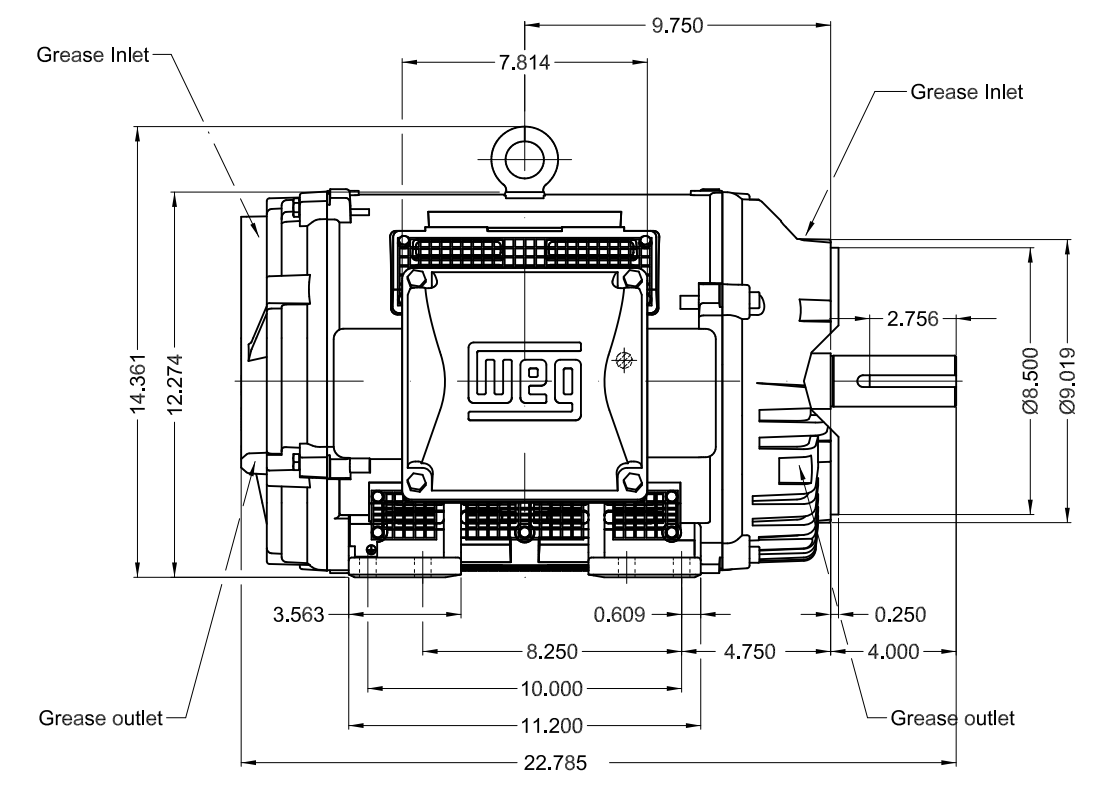
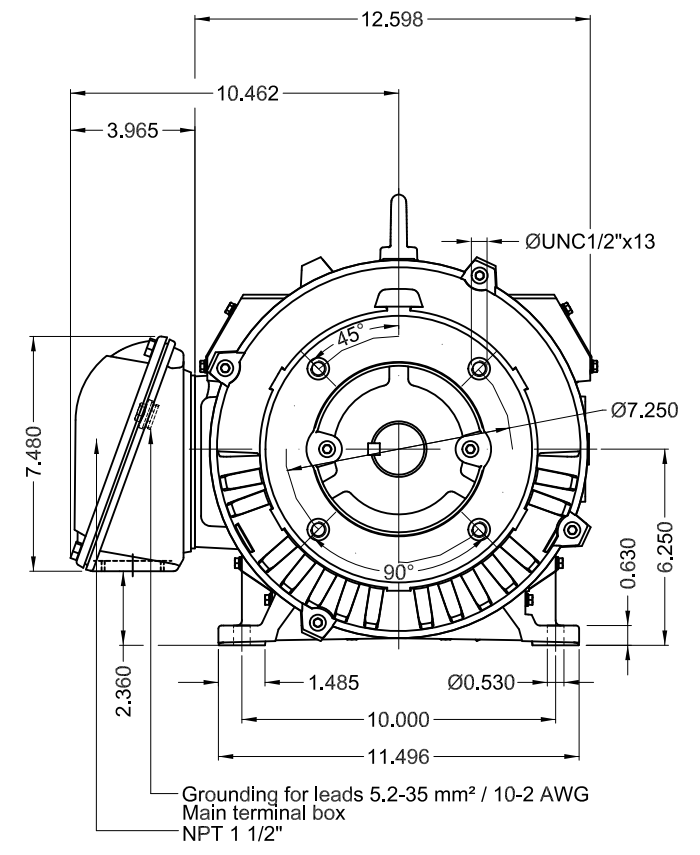
Rated current : 68.3/34.2 A  
 LRC : 6.1  
 Rated torque : 36.7 ft.lb  
 Locked rotor torque : 190 %  
 Breakdown torque : 260 %  
 Rated speed : 3530 rpm

Moment of inertia (J) : 0.9592 sq.ft.lb  
 Duty cycle : Cont.(S1)  
 Insulation class : F  
 Service factor : 1.15  
 Temperature rise : 105 K  
 Design : B

Rev.	Changes Summary	Performed	Checked	Date
Performed by			Page 2 / 2	Revision
Checked by				
Date	14/04/2019			

Dimensões em polegada  
Dimensions in inches

THIS IS AN UPDATED REVISION, THE  
PREVIOUS ONE MUST BE DISREGARDED.



Bearing cap									
Color RAL 3002									
Painting plan 203A									
Mounting B34R(D)									
					SCALE	1:6			
ECM	LOC	SUMMARY OF MODIFICATIONS			EXECUTED	CHECKED	RELEASED	DATE	VER
EXECUTED	USERADMIN	THREE PHASE W40 MOTOR HIGH EFF							
CHECKED		FRAME 254/6TC IP23 ODP							
RELEASED		WEG code: 14491849							
REL DT	14.04.2019	WMO	Jaragua do Sul	Product Engineering	SHEET	1 / 1			

25 HP 02 Poles 60Hz

A

