

DATA SHEET



Three Phase Induction Motor - Squirrel Cage

Customer : Dealers Industrial Equipment 800-469-3110
 Customer reference : 06036OP3EFP326TS-W40

Product line : W40 High Efficiency Three-Phase Product code : 14491071
 Catalog # : 06036OP3EFP326TS-W40

Frame	: 324/6TS	Locked rotor time	: 30s (cold) 17s (hot)
Output	: 60 HP (45 kW)	Temperature rise	: 105 K
Poles	: 2	Duty cycle	: Cont.(S1)
Frequency	: 60 Hz	Ambient temperature	: -20°C to +40°C
Rated voltage	: 208-230/460 V	Altitude	: 1000 m.a.s.l.
Rated current	: 153-141/70.6 A	Protection degree	: IP23
L. R. Amperes	: 900-833/417 A	Cooling method	: IC01 - ODP
LRC	: 5.9x(Code F)	Mounting	: F-1
No load current	: 35.0-40.6/20.3 A	Rotation ¹	: Both (CW and CCW)
Rated speed	: 3555 rpm	Starting method	: Direct On Line
Slip	: 1.25 %	Approx. weight ³	: 453 lb
Rated torque	: 87.4 ft.lb		
Locked rotor torque	: 180 %		
Breakdown torque	: 200 %		
Insulation class	: F		
Service factor	: 1.15		
Moment of inertia (J)	: 3.41 sq.ft.lb		
Design	: B		

Output	25%	50%	75%	100%	Foundation loads
Efficiency (%)	92.3	92.4	93.0	93.0	Max. traction
Power Factor	0.54	0.78	0.84	0.86	Max. compression

		<u>Drive end</u>	<u>Non drive end</u>
Bearing type	:	6312 Z C3	6211 Z C3
Sealing	:	Without Bearing Seal	Without Bearing Seal
Lubrication interval	:	19658 h	20000 h
Lubricant amount	:	21 g	11 g
Lubricant type	:	Mobil Polyrex EM	

Notes
 downloaded from <http://dealerselectric.com>

This revision replaces and cancel the previous one, which must be eliminated.

- (1) Looking the motor from the shaft end.
- (2) Measured at 1m and with tolerance of +3dB(A).
- (3) Approximate weight subject to changes after manufacturing process.
- (4) At 100% of full load.

These are average values based on tests with sinusoidal power supply, subject to the tolerances stipulated in NEMA MG-1.

Rev.	Changes Summary	Performed	Checked	Date
Performed by				
Checked by			Page	Revision
Date	14/04/2019		1 / 2	

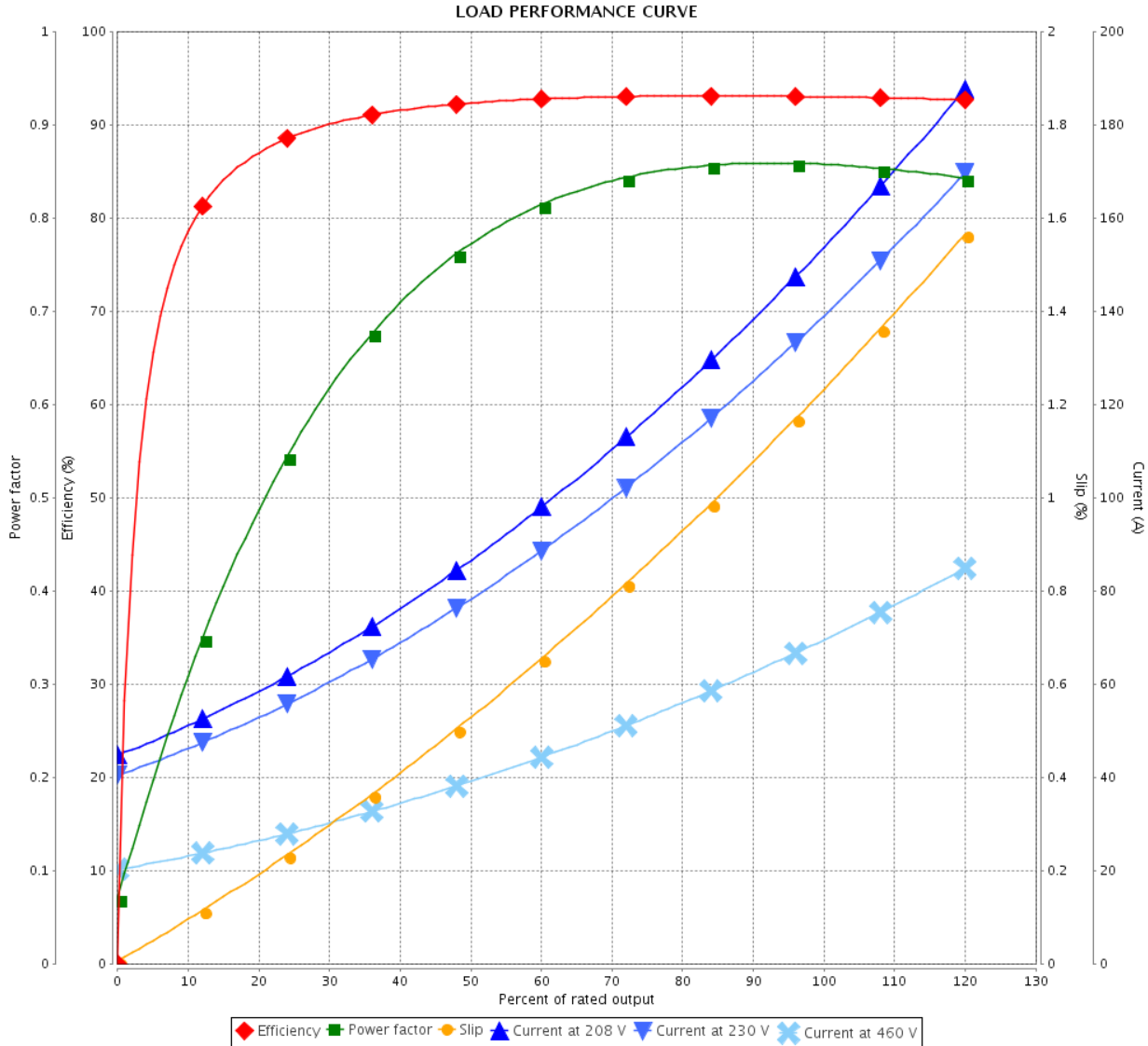
LOAD PERFORMANCE CURVE



Three Phase Induction Motor - Squirrel Cage

Customer : Dealers Industrial Equipment 800-469-3110
 Customer reference : 06036OP3EFP326TS-W40

Product line : W40 High Efficiency Three-Phase Product code : 14491071
 Catalog # : 06036OP3EFP326TS-W40



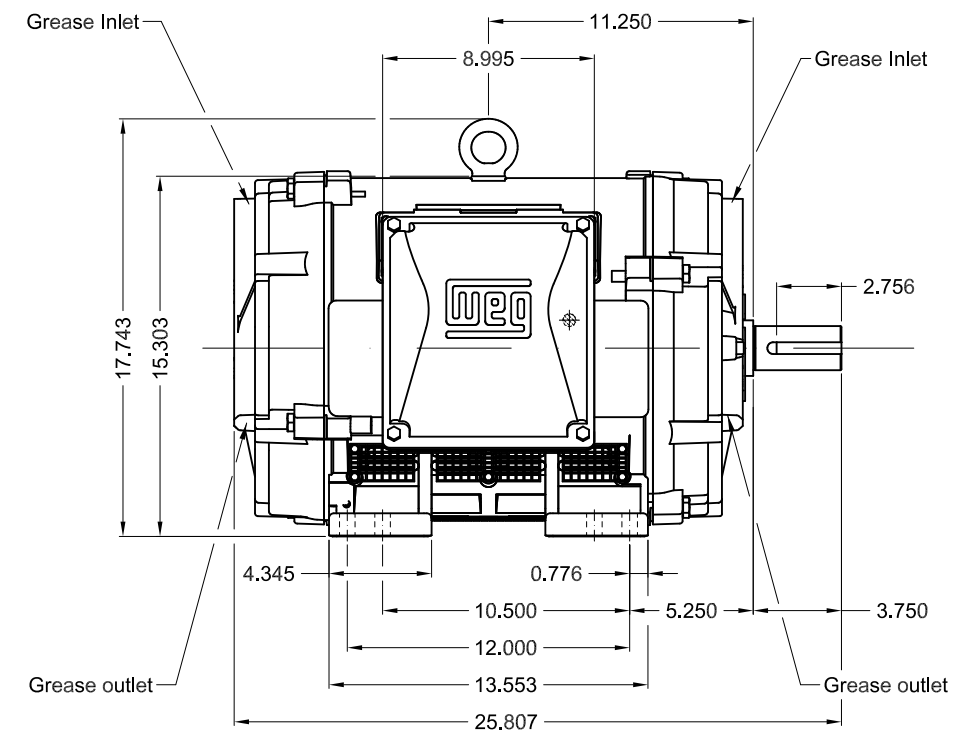
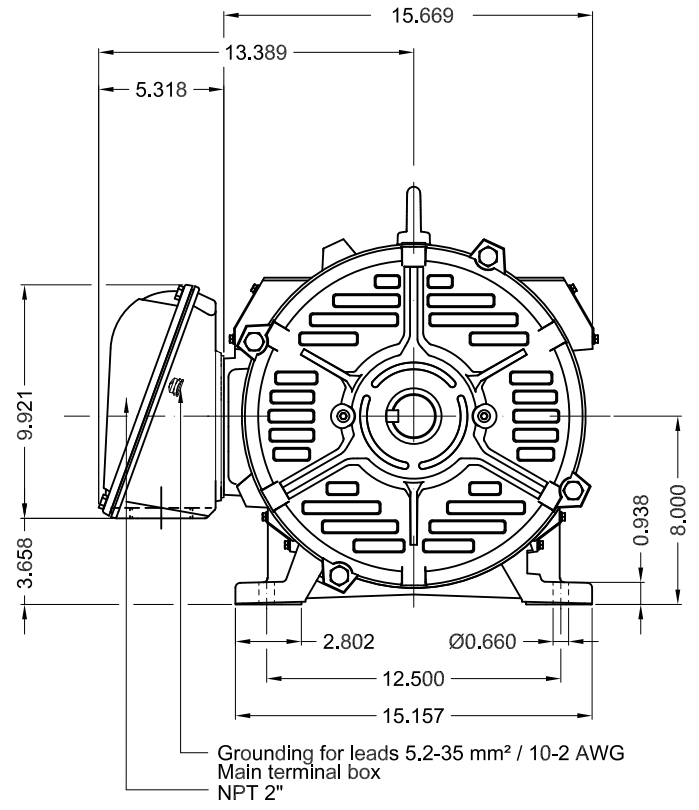
Performance : 208-230/460 V 60 Hz 2P

Rated current : 153-141/70.6 A	Moment of inertia (J) : 3.41 sq.ft.lb
LRC : 5.9	Duty cycle : Cont.(S1)
Rated torque : 87.4 ft.lb	Insulation class : F
Locked rotor torque : 180 %	Service factor : 1.15
Breakdown torque : 200 %	Temperature rise : 105 K
Rated speed : 3555 rpm	Design : B

Rev.	Changes Summary	Performed	Checked	Date
Performed by			Page 2 / 2	Revision
Checked by				
Date	14/04/2019			

Dimensões em polegada
Dimensions in inches

THIS IS AN UPDATED REVISION, THE
PREVIOUS ONE MUST BE DISREGARDED.



Color RAL 3002										
Painting plan 203A										
Mounting B3R(D)										
								SCALE	1:8	
ECM	LOC	SUMMARY OF MODIFICATIONS				EXECUTED	CHECKED	RELEASED	DATE	VER
EXECUTED	USERADMIN	THREE PHASE W40 MOTOR HIGH EFF								
CHECKED		FRAME 324/6TS IP23 ODP								
RELEASED		WEG code: 14491071								
REL DT	14.04.2019	WMO	Jaragua do Sul	Product Engineering	SHEET	1 / 1				

60 HP 02 Poles 60Hz

A

